

**CORDIVARI**  
DESIGN

C A T A L O G U E 6  
2019



# DESIGN RADIATORS

**CORDIVARI**  
DESIGN

Styled | Engineered | Made  
IN ITALY

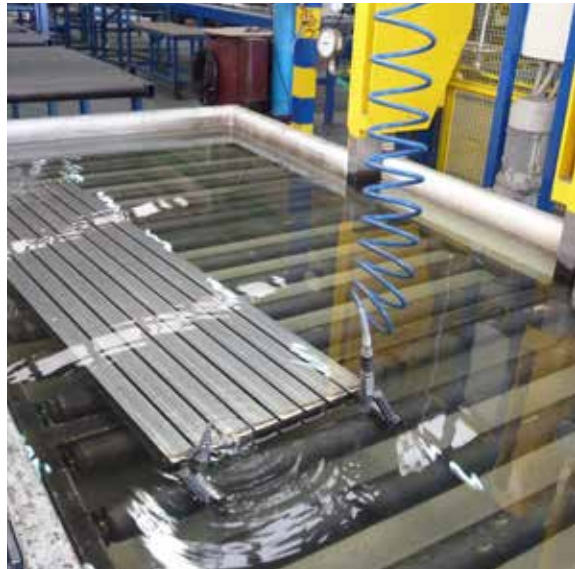
*for the best*  
SHOWROOM



Cordivari Design is the brand that identifies the artistic path, research and development of Cordivari group.

This concept explores the sphere of emotions and affectivity: a journey of passion and feelings that are reflected in the living space where every object, every element is expression of its personality. Cordivari Design radiators become in this way protagonists of the contemporary living. The continuous research for technological solutions to enhance the efficiency of the radiators combined with the creativity of important designers working for Cordivari Design, create a perfect alchemy between functionality and style, able to give warmth and elegance to every living space.

# THE COMPANY



Cordivari company is one of the most important manufacturer of towel rails and radiators.

The orientation towards technological innovation and the use of state-of-the-art production processes make Cordivari a leader in the Made in Italy of excellence.

Thanks to robotised production processes and to a quality management system covering 100% of the production, Cordivari Design brand is today a synonym of elegance, comfort and innovation worldwide.

All production processes, cutting and metal working, welding, painting and quality tests are performed within Cordivari plants.

# THE FACTORY





# Awards and prizes received during the years from Cordivari radiators - milestones in a continuous synergy between functionality and style.

- 1989:** The Claudia® Cordivari radiator is born
- 1991:** Elen, the first design radiator made in stainless steel, was realized
- 1995:** Elen protagonist of Cersaie exhibition- Bologna
- 1999:** First prototyp of Foglia®, first stainless steel radiator with exclusive design (design by Paola Pinnavaia)
- 2001:** Collezione Inox range was created. Foglia® won the I.D. Magazine Annual Design Review award, New York
- 2004:** Stradivari was selected for the event Casanova Room Number 3 (concept Luca Scacchetti), Abitare il Tempo- Verona
- 2004:** Tam Tam was selected for I.DoT- Italian Design on Tour award
- 2005:** Stradivari at FuoriSalone Texture & Materials (concept Carlo Colombo), Superstudiopiù - Milan
- 2006:** Nasce il brand Cordivari Design, come identificazione di radiatori d'arredo alto di gamma
- 2006:** First concept of ExtraSlim. Movie is exhibited in preview at the Mostra Convegno Expocomfort of Milan
- 2006:** ExtraSlim range was created. Badge® was exhibited in the exclusive setting Sim.Home (concept Simone Micheli), Abitare il Tempo - Verona
- 2007:** Badge® protagonist of the exhibition SiMaison (concept Simone Micheli), Salon Futur Intérieur - Paris
- 2007:** Badge® won Design Plus, Frankfurt
- 2008:** Movie® and Hand® radiators selected for Comfort & Design Award, Milan
- 2008:** Badge® won Comfort & Design Award, Milan
- 2008:** Nomination of Badge® for the Idéo Bain Prix du Design award, Paris
- 2008:** Badge® arrived in Brazil: exhibition at the Museum Mube, Sao Paulo
- 2008:** Rio® protagonist of D come design Award (concept Luisa Bocchietto), Torino World Design Capital '08
- 2008:** Exhibition of the Badge® at Domestic Campus (concept Simone Micheli), Abitare il Tempo - Verona
- 2008:** Lola awarded the Gold Villa Award, Poland
- 2009:** Badge® goes to Mexico: La Casa Italiana in Messico (concept Simone Micheli), Museo de Guadalajara, Mexico
- 2009:** Cordivari protagonist of Fuorisalone Interni Design Energies, Milan
- 2010:** Jungle® e Badge® exposed in spectacular Mücsarnok Art Gallery, Budapest
- 2010:** Movie®, Lola Decor and Badge® in three-dimensional version during the event Showroom Stereo 3D, Milan
- 2010:** Badge® won Lazienska Award, Poland
- 2010:** Rosy Picture® won the selection of Bathroom of Dreams, Czech Republic
- 2010:** Blow® launched from designer Jean-Marie Massaud during CERSAIE exhibition at Cordivari Design stand
- 2011:** Badge® exposed in Jo House event (AbitaMi) during Salone Internazionale della Casa- MACEF, Milano
- 2011:** Bridge® and Raising® exposed at Open Art Office (concept Mariano Moroni), sponsored by A.M.A.C.I. (Italian Association of Contemporary Art Museum)
- 2012:** Blow® won Reddot Design Award Best of the Best category heating radiator
- 2013:** Nomination by German Design Council of Blow® at the German Design Award
- 2014:** Giuly® won IF - Product Design Award
- 2015:** Sfere won ADI Ceramic Award of the ADI Associazione per il Disegno Industriale
- 2016:** Nomination of the Sfere at German Design Award 2017 - Excellent Product Design from German Design Council
- 2017:** Sfere obtains the special mention at the German Design Award 2017
- 2017:** Andrea wins the IF Design Award, conferred by the International Forum of Design
- 2017:** The Lynea accessories win the Red Dot Design Award in the product Design category
- 2017:** Arianna wins the Archproducts Design Awards
- 2018:** Hand obtains the special mention at the German Design Award 2018
- 2018:** The My Way® System is selected for the "Percorso efficienza & Innovazione" during the exhibition Mostra Convegno Expocomfort
- 2018:** Andrea wins the German Design Award 2018
- 2018:** Yara and E.Sign win the Iconic Award 2018 - Innovative Interior
- 2018:** The My Way System wins the A-Design Award
- 2018:** ADI Design Index for My Way wireless and electronic thermostatic heads
- 2018:** Lynea accessories win the Archproducts Design Award 2018
- 2019:** Lynea, Arianna and E.Sign win the German Design Award 2019
- 2019:** Compact Solar Thermal System Sratos 4S wins Archproducts Design Award 2019
- 2020:** Compact Solar Thermal System Stratos 4S, My Way and Sofi HC win German Design Award 2020
- 2020:** Window radiators wins IF Design Award 2020



# DESIGN HISTORY



© Rainer Hosch

## Jean-Marie Massaud

Graduated from the ENSCI in 1990, Jean-Marie Massaud has run a research for synthesis, reduction and lightness since his first activities. He has been working in all kind of design fields, from furniture to industrial product and equipment. In 2000, he founds Studio Massaud and expands his expertise to architecture and brand development.

He collaborates with various brands such as B&B Italia, Axor Hansgrohe, Dedon, Lancôme or Renault. Denying trend and fashion, Jean-Marie prefers questioning the existing, working out on progress and eventually proposing answers to contemporary challenges. It is this symbiosis between Man, his creations and his natural environment, that Jean Marie Massaud strives to reach, as a catalyst to innovation, as an economic model and as a life project. For Cordivari he projected Blow® radiator's design.

## Simone Micheli

Professor at University, he founded in 1990 Architecture Studio and in 1993 the Project Company «Simone Micheli Architectural Hero». His architectural jobs, contract, interior design, exhibit, graphic and communication are linked to sensorial world.

He takes care of the most important exhibiting event and most qualified international Fair.

His artworks are shown at the most important architectural and design Show all over the world. Many magazine are writing about his job.

He created Badge® and Sfere radiators for Cordivari, have been awarded with Design Plus, with Confort & Design and have been nomination at Ideo Bain Award.



ph: F. Mandelli D'Agostini



## Mariano Moroni

Architect, Artist and Designer. He was born in 1954 in Nereto (Teramo). After Artistic High School he graduated in architecture, and was licensed by Politecnico in Milan. Starting from 70s he attended many Exhibitions and Fairs in Italy and abroad. He has a wide-ranging and versatile mind, and he is involved in many creative activities from painting to architecture, from urban activity to graphic and design.

In 1999 he took part to a movie whose theme was rural architecture. His artworks are shown in public and private structures.

Cooperating with Cordivari, with mutual respect and estimation, he created Movie®, Renèe, Jungle®, Raising®, Bridge®, Roads®, Roads® STF, Groove® and Giuly®.



## Paola Pinnavaia

Paola Pinnavaia was graduated at ISIA in Rome and she won European Design Award.

She worked as industrial designer for Texas Instruments in Nice, Tokyo and Dallas. In 1994 she founded Studio ONdesign in Rome, putting at industries disposal her creativity, innovation, and methodological experiences. She made Design being the propulsive heart of the industry.

She cooperated with many prestigious international companies.

She designed for Cordivari Rio® and Foglia® (winner of 2001 I.D. Award review Magazine, New York).

## Luca Scacchetti

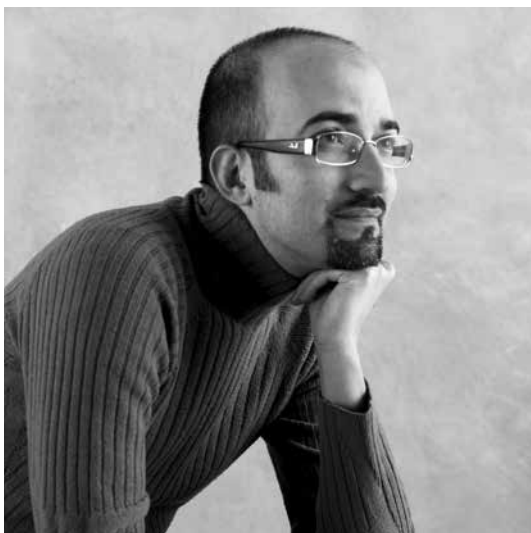
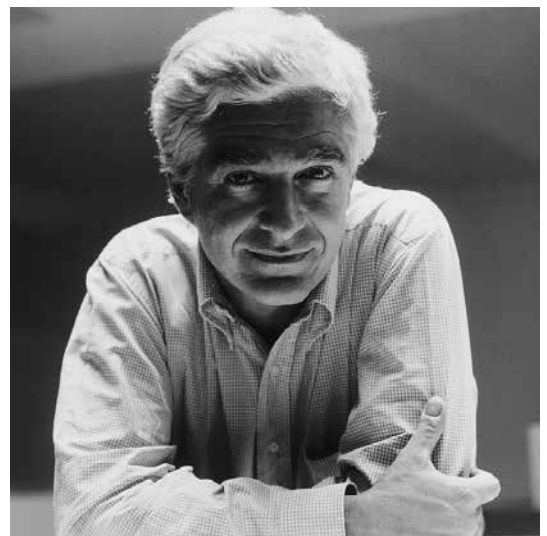
Luca Scacchetti (Milan 1952 - 2015).

In 1975 he graduated in Architecture at Milan Politecnico University.

Since 1976 he's teaching Architectonic Composition and since 1987 he's teaching Architectonic Projects at Architecture Department - European Design Institute in Milan.

He is also teaching Architectural elements and Urbanistic at Artistic Academy in Brera and at Design Department - Politecnico in Milan. He is cooperating in Design with many important Italian and foreign furniture, lighting and gifts industries.

For Cordivari he created Stradivari radiator.



## Marco Pisati

Designer, fascinated by new materials and new technologies, tests his ideas in the most extreme sectors: starting from the aerospace, designing interiors bound to the concept of space habitability in absence of gravity for the ASI (Italian Space Agency), reaching the earth's nomadic one, realizing the first example of interactive nomadic office (Motorhome Aci).

Invited to expose his works at Leopolda Exposition in Florence ("Deep Inside"-Image) he presented with the company Grado Zero Espace, leading brand in the aerospace textile branch, a prototype of a jacket for astronauts in Diaplex (a tissue with a memory of shapes).

He won the Special Mention in the 2017 German Design Awards in the Category Bath and Wellness with the "Color" product designed for Gattoni Rubinetteria.

# DESIGNERS



## INOX STYLE

Cordivari, relying on its forty-years old production experience, has embraced the philosophy of stainless steel, making it available to cordivari design.

In 1991 the first radiator made in stainless steel, model Elen, was created. Stainless steel is conquering every day larger and larger application in architecture and industrial design, not only thanks to its performances, but mainly for its visual lightness. The light reflection created by the polished stainless steel cordivari design radiators, or the elegance of the satin finishing, guarantees a touch of exclusivity and prestige to your house.

Stainless steel is a 100% recyclable material, resistant to corrosion, non-toxic and with infinite lifetime.



## EXTRASLIM®

Cordivari design offers a new concept of decorative radiator and with the support of important designers, creates the innovative "extraslim" range, a revolution of the design radiator world thanks to a unique and state of the art production technology.

The result is a radiator consisting of a single heating body with an ultra-thin thickness, totally different from the traditional market offer, with geometries that go well beyond the traditional image of the radiator. The extraslim range, has been awarded with several international awards: Design Plus, Comfort & Design, Iazienka Award and prix du design ideobain nomination.



## NEO DESIGN

Neo design radiators are involved in the artistic trend of "minimalism" that has greatly influenced contemporary design. Purity, simplicity of lines and architectural forms, are the elements that will make you appreciate these sober and elegant radiators.

Interior furnishing designed to create a perfect synthesis between aesthetics and functionality, enables great thermal efficiency in line with current standards of energy saving.

The neo design with its unique style becomes protagonists of contemporary living.



## CLASSIC LINE

Retrò is the new line of Cordivari radiators, inspired by classical forms and elegant design.

With timeless shapes these decorative radiators are available with shiny and bright finishing to decorate your bathrooms with the most exclusive taste.

The line Retrò is available in 3 models with 3 different finishes: chrome, antique bronze, antique Gold.



## GRAPHIC PICTURE

Heat and colour. The pictures radiators spreading the heating through beautiful colours and images, become the canvas of a painter or a frame upon which the most exciting impressions of your life are captured.

An innovative and everlasting painting process, internationally awarded, with high quality finishing and environment friendly approach. The radiator becomes a design object, an element that personalizes your living environment, making it a unique item, enriched by chromatic effects you can choose between graphics solutions proposed by cordivari design, created by painters, artists, designers or from yourself with your favourite images, which will capture forever on the radiator your desired image.



## ACCESSORIES - TECHNICAL SUPPORT

A vast range of colours and accessories completes our calorifiers offer: valves, towel rails, hooks polished, satin or painted to put an extra focus on the Cordivari Design. An expansion of knowledge one has of Cordivari's Design going from international rewards to events, from presentation of designers who signed Cordivari's Design Line up to the models that became beauty icons and state of the art projects.

A true support for all professionals for thermal output calculation, valves glow resistance and system and products certifications.

**LOLA®**  
stainless steel

**BLOW®**  
stainless steel

**RIO®**  
stainless steel

**STRADIVARI**  
stainless steel

photo gallery  
↓  
16

technical data  
↓  
194



28 202

34 204

38 208

**SFERE**

**GIULY® | GIULY® SL**

**BADGE®**

**BADGE®** ELECTRIC

**FRAME**  
**FRAME MAX**

**FRAME LYNEA**

**FRAME** ELECTRIC

**FRAME** BLOWER  
**FRAME** BLOWER DUAL ENERGY

**ANDREA**  
**ANDREA** ELECTRIC

64 228

72 232

78 236

88 240



**RETRÒ I - II - III**

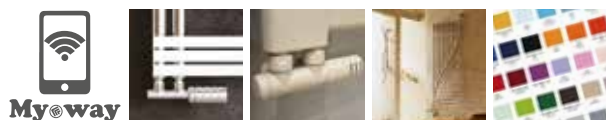


170 310

**FRAME PICTURE**



180 314



**KELLY | KELLY** ELECTRIC  
stainless steel

**BABYLA**  
stainless steel

**CELINE | CELINE** ELECTRIC  
stainless steel

**FUJIKO**  
stainless steel

photo gallery  
↓  
44

technical data  
↓  
212



48 216

54 222

60 226

**HAND®**  
**HAND®** ELECTRIC

**E.SIGN**

**MOVIE®**  
**MOVIE®** ELECTRIC

**JUNGLE®**

**JACKY**  
**JACKY** ELECTRIC

**YARA**

**DEBBY**

**GROOVE®**

**ROADS®**  
**ROADS®** STF

90 242

94 248

98 250

102 254



**RETRÒ I - II - III** ELECTRIC



176 312

**ROSY GRAPHIC**



188 322

VALVES AND ACCESSORIES

MY WAY® SYSTEM

VINTAGE

COLOURS

CERTIFICATES

SALES CONDITIONS AND WARRANTY

328

338

348



350

352

354

# SUMMARY



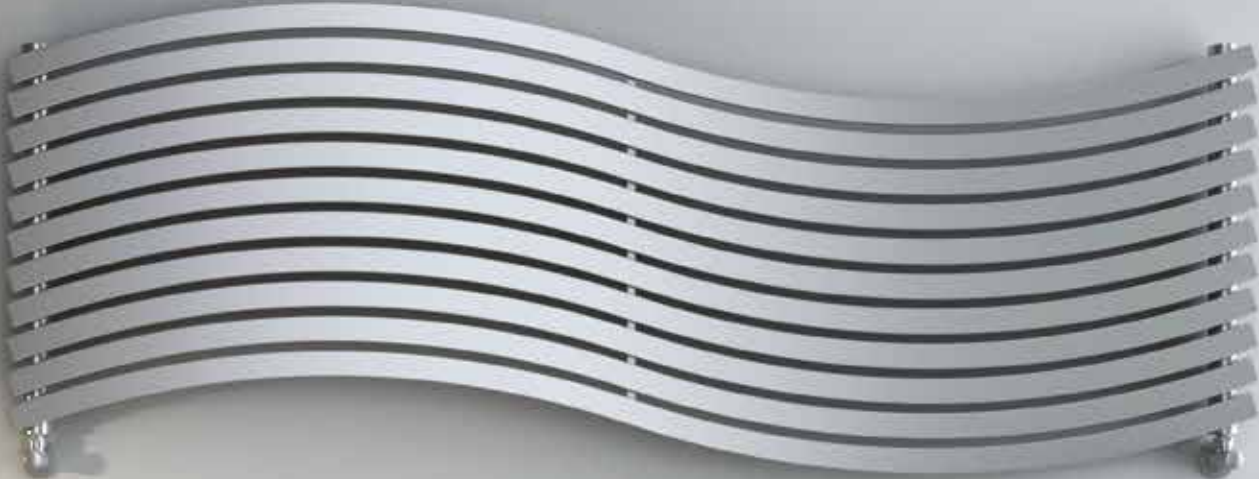
LOLA | BLOW | RIO | STRADIVARI  
FUJIKO | KELLY | BABYLA | CELINE  
KELLY  | CELINE 

Cordivari, relying on its forty-years old production experience, has embraced the philosophy of stainless steel, making it available to cordivari design.

In 1991 the first radiator made in stainless steel, model Elen, was created. Stainless steel is conquering every day larger and larger application in architecture and industrial design, not only thanks to its performances, but mainly for its visual lightness. The light reflection created by the polished stainless steel cordivari design radiators, or the elegance of the satin finishing, guarantees a touch of exclusivity and prestige to your house.

Stainless steel is a 100% recyclable material, resistant to corrosion, non-toxic and with infinite lifetime.

# INOX STYLE





# Lola<sup>®</sup>

satin stainless steel



**GOLD VILLA**  
AWARD

**3D**  
TRADEMARK

IN PICTURE ON THE LEFT

model: horizontal

L: 1516 mm - H: 450 mm

material: satin stainless steel

watt 549

accessories: elegant manual square satin valve

technical data page 194



*Comfort and relax shaped into Lola sinuous and surrounding design, proposed in polish finishing, satin and décor.*  
*Entirely made in stainless steel Lola® will catch your eyes with the reflection of light rolling on the waves of its radiant and creating a unique and comfortable atmosphere in both classical and modern ambient.*



**GOLD VILLA**  
AWARD

**3D**  
TRADEMARK



**Lola<sup>®</sup>**  
polished stainless steel

IN PICTURE

model: horizontal

L: 1516 mm - H: 450 mm

material: polished stainless steel  
watt 507

accessories: Elegant reverse manual polished valve kit  
technical data page 196

INOX STYLE



# Lola<sup>®</sup>

polished stainless steel



**GOLD VILLA**  
AWARD

**3D**  
TRADEMARK

IN PICTURE ON THE LEFT

model: vertical

H: 1516 mm - L: 450 mm

material: polished stainless steel  
watt 507

accessories: manual square polished elegant valve  
technical data page 200

# Lola<sup>®</sup>

polished stainless steel

**GOLD VILLA**  
AWARD

**3D**  
TRADEMARK

IN THE PICTURE ON THE RIGHT

model: vertical

H: 1516 mm - L: 450 mm

material: polished stainless steel

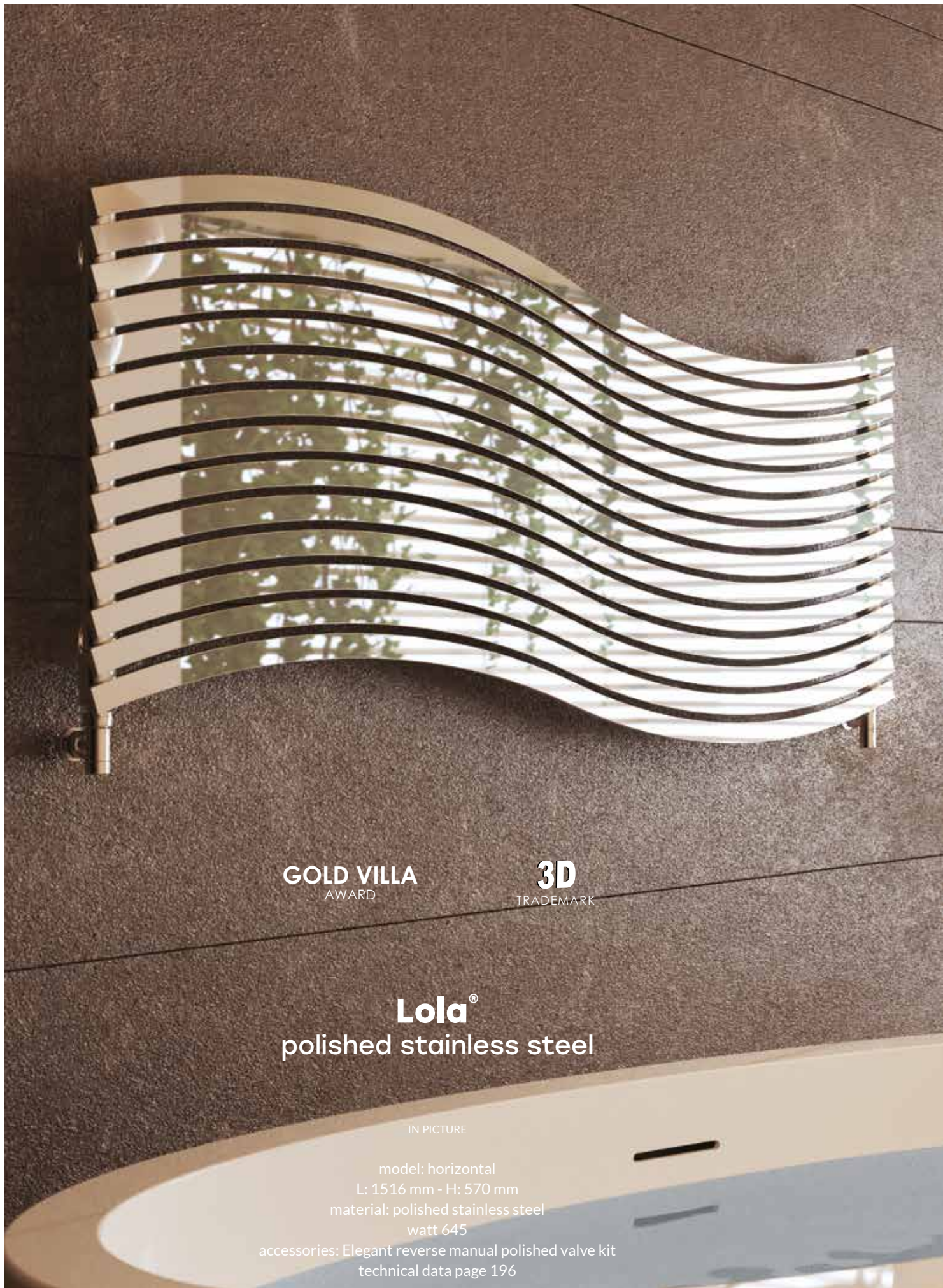
watt 507

accessories: Elegant reverse manual polished valve kit

technical data page 200







**GOLD VILLA**  
AWARD

**3D**  
TRADEMARK

**Lola<sup>®</sup>**  
polished stainless steel

IN PICTURE

model: horizontal  
L: 1516 mm - H: 570 mm  
material: polished stainless steel  
watt 645  
accessories: Elegant reverse manual polished valve kit  
technical data page 196







# Lola<sup>®</sup> Decor

polished stainless steel and satin stainless steel

artwork **Mariano Moroni**



**GOLD VILLA**  
AWARD

**3D**  
TRADEMARK

IN PICTURE ON THE LEFT

model: horizontal

L: 1516 mm - H: 450 mm

material: polished stainless steel and satin stainless steel  
watt 507

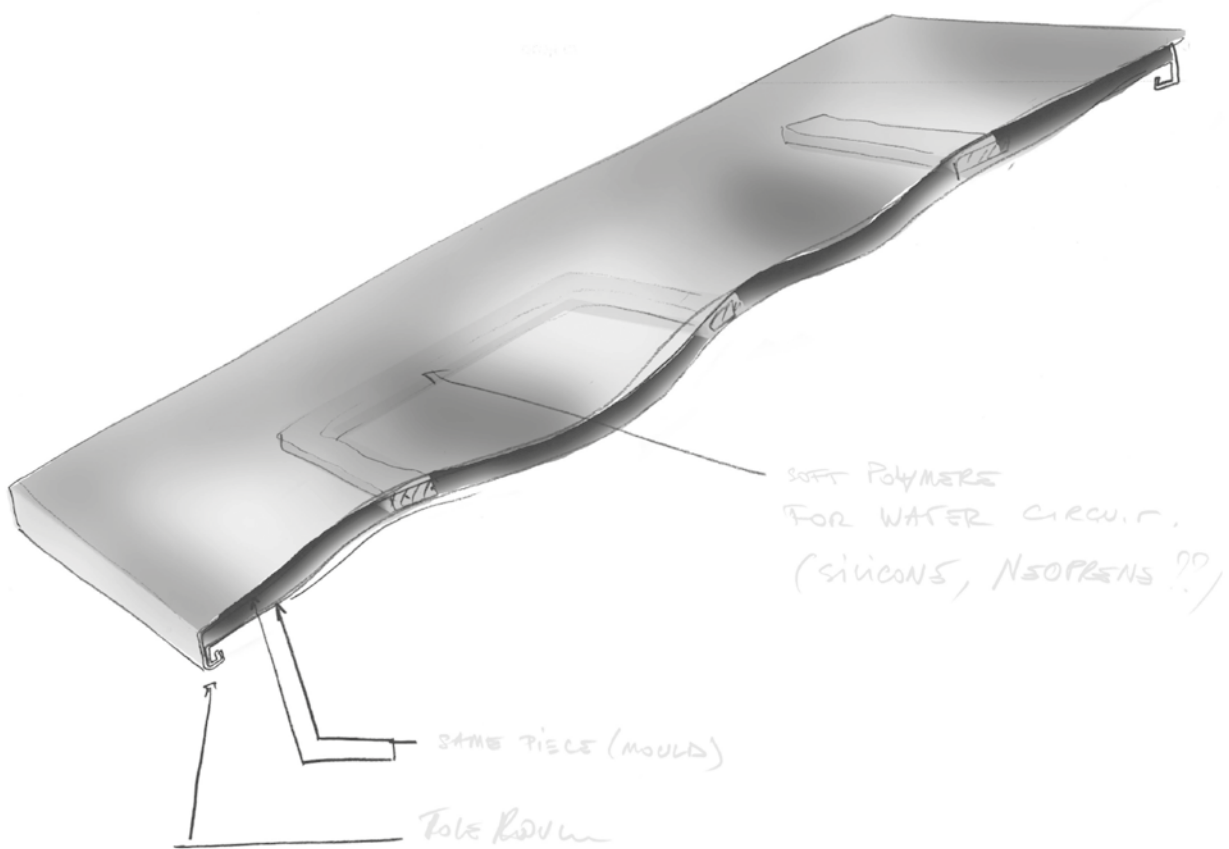
accessories: Elegant reverse manual polished valve kit  
technical data page 196



# Blow<sup>®</sup>

polished stainless steel

design **Jean-Marie Massaud**



**reddot** design award  
best of the best 2012



German  
Design Award  
NOMINEE 2014

IN PICTURE ON THE LEFT

model: vertical  
L: 500 mm - H: 1700 mm (x2)  
material: polished stainless steel  
watt 700 (x2)  
technical data page 202

# Blow<sup>®</sup>

polished stainless steel

design **Jean-Marie Massaud**

*"We have designed a product that gives architects the opportunity to fulfil their requirements in terms of design. Blow<sup>®</sup> is a simple, refined and architectural system, that can easily be arranged and laid out in any interior".*

**J.M. Massaud**



**reddot design award**  
best of the best 2012



German  
Design Award  
NOMINEE 2014

IN THE PICTURE ON THE RIGHT

model: horizontal  
L: 1700 mm - H: 500 mm (x2)  
material: polished stainless steel  
watt 700 (x2)  
technical data page 202







reddot design award  
best of the best 2012



German  
Design Award

NOMINEE 2014





**Blow®**  
polished stainless steel  
design Jean-Marie Massaud

IN PICTURE

model: horizontal  
L: 1700 mm - H: 500 mm (x2)  
material: polished stainless steel  
watt 700 (x2)  
technical data page 202

# Rio®

## satin stainless steel

design **Paola Pinnavaia**

*Rio®, unique piece of art. Available in polished and satin stainless steel, draws its inspiration from nature; its gentle shape reminds a beautiful waterfall. The movements of the radiator give great energy sensations. Design tames the material, it's a thermal sculpture that let you feel true emotions. Sweet curves and harmonic waves of heating elements show a strict relationship between appearance anatomy and logic of the object.*

### **D** COME DESIGN

IN THE PICTURE ON THE RIGHT

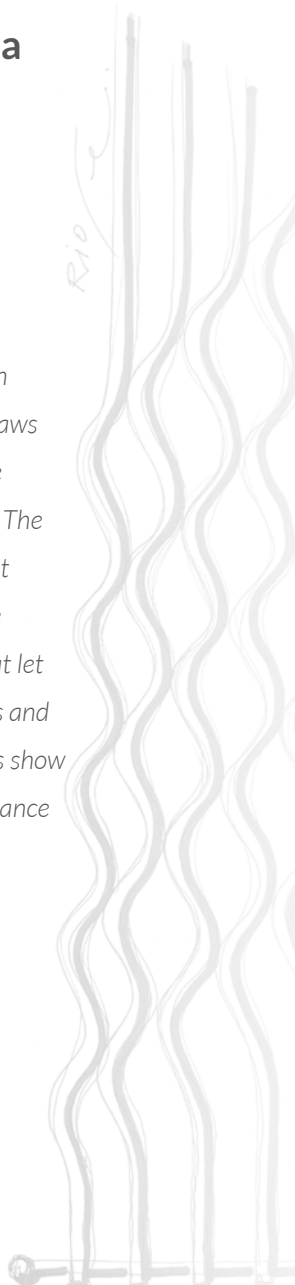
L: 671 mm - H: 2000 mm

material: satin stainless steel

watt 863

accessories: elegant manual square satin valve

technical data page 204







# Rio<sup>®</sup>

polished stainless steel

design Paola Pinnavaia



**D** COME DESIGN

IN PICTURE ON THE LEFT

L: 671 mm - H: 2000 mm

material: polished stainless steel  
watt 807

accessories: manual square polished elegant valve  
technical data page 206



# Stradivari

satin stainless steel

design **Luca Scacchetti**

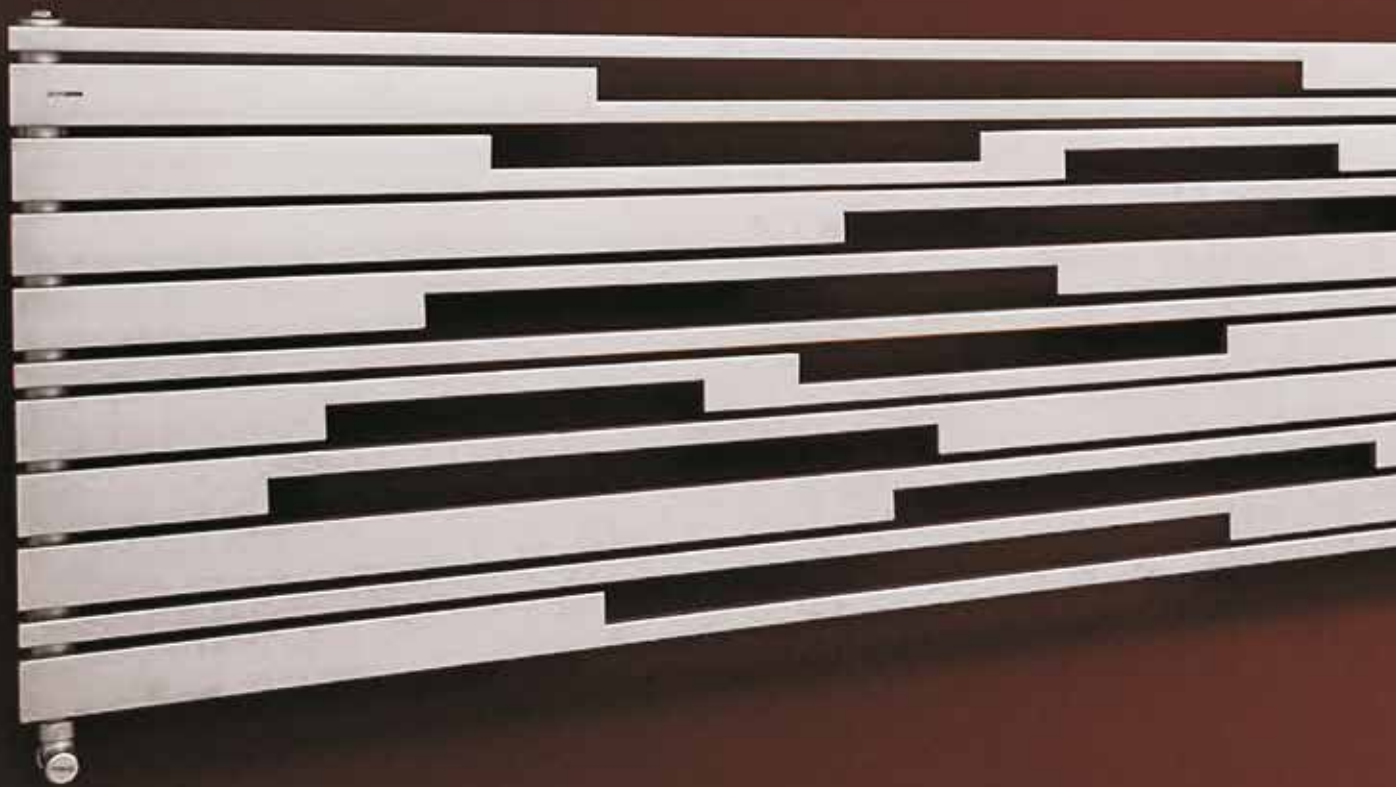


BOLOGNA  
CER-STILE

## CASANOVA ROOM NUMBER 3

IN PICTURE ON THE LEFT

model: vertical  
L: 660 mm - H: 2100 mm  
material: satin stainless steel  
watt 1084  
technical data page 208



**Stradivari**  
satin stainless steel  
design **Luca Scacchetti**

IN PICTURE

model: horizontal

L: 1600 mm - H: 570 mm (x2)

material: satin stainless steel  
watt 656 (x2)

accessories: elegant manual square satin valve  
technical data page 208





**CASANOVA ROOM**  
NUMBER 3

"Stradivari is based on the idea to combine different size of heating elements. A radiator with an everlasting style, where the linear geometry of the satin stainless steel heating elements exploits and defines each room".

**L. Scacchetti**

**TEXTURE & MATERIALS | SUPERSTUDIOPIÙ  
MILANO**

# E V E N T S



**BOLOGNA  
CER-STILE**



MARCA CORONA

CORDIVARI



# Kelly

polished stainless steel



IN PICTURE ON THE LEFT

L: 500 mm - H: 1406 mm

material: polished stainless steel

watt 489

accessories: Elegant square polished valve kit pipe centres 50 mm

with thermostatic head - right

technical data page 212

# Kelly

## electric

polished stainless steel



IN THE PICTURE ON THE RIGHT

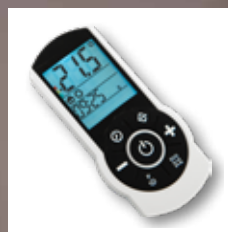
H: 1420 mm - L: 500 mm

material: polished stainless steel

watt 600

top digital thermostat with infrared remote control

technical data page 214









# Babyla

satin stainless steel

design **Mariano Moroni**



IN PICTURE ON THE LEFT

L: 600 mm - H: 1080 mm

material: satin stainless steel

watt 250

accessories: Elegant square satin valve kit pipe centres 50 mm with thermostatic head - right

technical data page 216

# Babyla

polished stainless steel

design **Mariano Moroni**

*Inspired on modern Minimalism. Babyla, is a decorative radiator with simple and elegant lines, which finds its power in the purity of the stainless steel and its simple aesthetical line that represents an eternal decorative element. Completely built in stainless steel, it is available in polished, satin or gold finishing. Babyla can be dressed with practical and useful accessories as shelves, mirror or hooks.*

IN THE PICTURE ON THE RIGHT

L: 600 mm - H: 1500 mm

material: polished stainless steel

watt 333

accessories: elegant polished valve with pipe centres 50 mm square

accessories: hook

technical data page 218









**Babyla Gold**  
polished stainless steel  
design **Mariano Moroni**

IN PICTURE

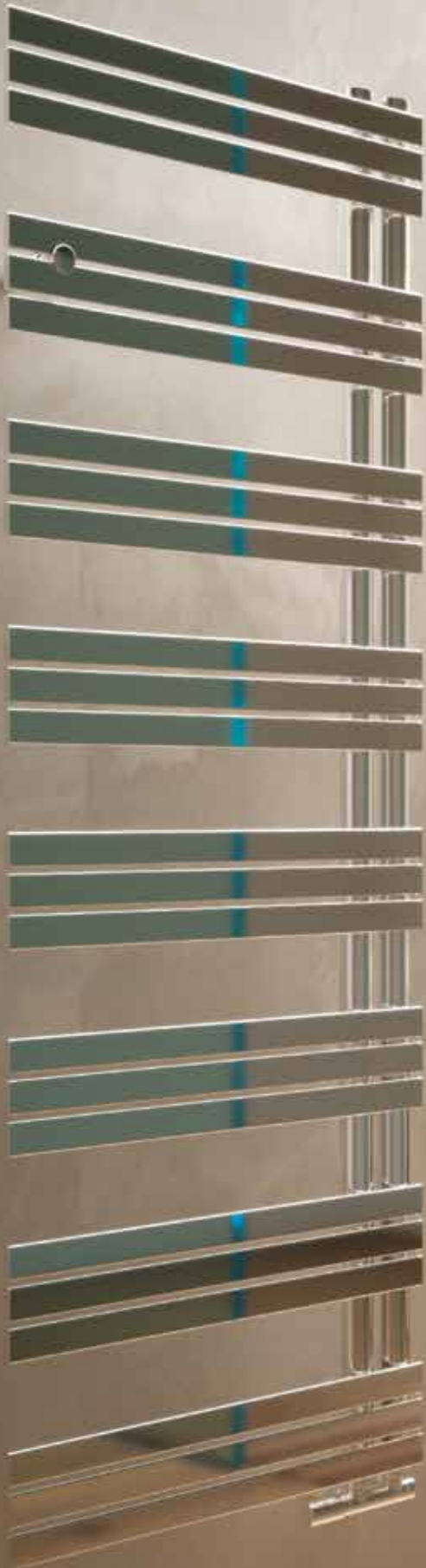
L: 600 mm - H: 1080 mm

material: polished stainless steel

finish: gold

watt 233

accessories: elegant gold valve with pipe centres 50 mm square right  
technical data page 220



# Celine

## polished stainless steel

*Celine thanks to true lines and shining reflections donates  
timeless elegance to most prestigious restrooms.  
Fully stainless made, this towel rail expresses unmistakable  
design and ergonomics.*

IN PICTURE ON THE LEFT

L: 500 mm - H: 1338 mm

material: polished stainless steel  
watt 337

accessories: elegant polished valve with pipe centres 50 mm square left  
technical data page 222

**MyWay®**  
C O S Y H O M E

*My Way® is the smart solution  
for the heating that makes your  
home more welcoming!*



**GERMAN  
DESIGN  
AWARD  
WINNER  
2020**

## Celine

polished stainless steel

IN PICTURE

L: 500 mm - H: 1338 mm

material: polished stainless steel

watt 337

accessories: elegant polished valve with pipe centres 50 mm square

with My Head wireless thermostatic head ad My Way® system

technical data page 222





NEW

# Celine electric

polished stainless steel



IN THE PICTURE ON THE RIGHT

L: 500 mm - H: 1618 mm  
material: polished stainless steel  
watt 500  
top digital thermostat with infrared remote control  
technical data page 224





# Fujiko

polished stainless steel

*The new stainless steel-made Fujiko radiator designed to enrich any restroom giving it warmth and elegance. Bringing to a higher level the daily use of a classical towel rail.*

IN THE PICTURE ON THE RIGHT

model: horizontal

L: 1400 mm - H: 595 mm

material: polished stainless steel

watt 554




accessories: manual square polished elegant valve

technical data page 226







SFERE | GIULY | BADGE | HAND | E.SIGN  
MOVIE | JUNGLE  
BADGE  | HAND  | MOVIE 

Cordivari design offers a new concept of decorative radiator and with the support of important designers, creates the innovative “extraslim” range, a revolution of the design radiator world thanks to a unique and state of the art production technology.

The result is a radiator consisting of a single heating body with an ultra-thin thickness, totally different from the traditional market offer, with geometries that go well beyond the traditional image of the radiator. The extraslim range, has been awarded with several international awards: Design Plus, Comfort & Design, łazienka Award and prix du design Ideobain nomination.

**EXTRASLIM<sup>®</sup>**





# Sfere trittico

design **Simone Micheli**



RIMINI  
SIA GUEST



IN PICTURE ON THE LEFT

model: trittico  
diameter: 496 mm  
material: painted carbon steel  
colour: T15 tela  
watt 582  
technical data page 228

# Sfere

design **Simone Micheli**



MILANO DESIGN WEEK  
**DIFFERENT SUITES X DIFFERENT PEOPLE**  
SIMONE MICHELI @ CORDIVARI DESIGN



IN THE PICTURE ON THE RIGHT

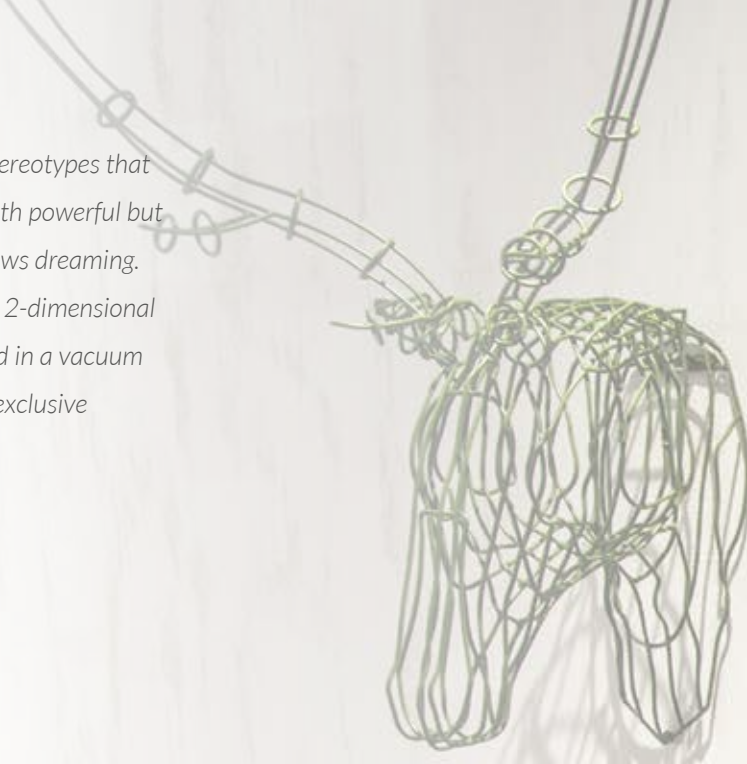
diameter: 496 mm  
material: painted carbon steel  
colour: F27 moonshine  
watt 194  
technical data page 230





*"This concept interrupts frames and stereotypes that characterized decorative radiators. With powerful but non presumptuous, fresh shapes it allows dreaming. Sfere is a continuous ongoing between 2-dimensional and 3-dimensional realities. Suspended in a vacuum this radiator frees itself through most exclusive technologies and designs".*

**S. Micheli**



# E V E N T S



MILANO  
HEARTS SERVICED APARTMENTS



MILANO  
HOTEL REGENERATION



KOREA  
LUXURY CONTRACT STYLE





GERMAN  
DESIGN  
AWARD  
SPECIAL  
2017



## Sfere

design **Simone Micheli**

IN PICTURE

diameter: 496 mm (x3)  
material: painted carbon steel  
colour: T12 matt light grey  
watt 194 (x3)  
technical data page 228







# Giuly®

design **Mariano Moroni**



IN PICTURE ON THE LEFT

L: 520 mm - H: 1590 mm  
material: painted carbon steel  
colour: F03 metal antracite  
watt 714  
technical data page 232



product  
design award

2014



**Giuly®**

design **Mariano Moroni**

IN PICTURE

L: 520 mm - H: 1200 mm  
material: painted carbon steel  
colour: R01 pure white  
watt 521  
technical data page 232



# Giuly® sl

design **Mariano Moroni**

NEW



IN THE PICTURE ON THE RIGHT

L: 520 mm - H: 1590 mm  
material: painted carbon steel  
colour: F25 quartz dust  
watt 718  
technical data page 234



# Badge®

design **Simone Micheli**



**DESIGN PLUS**  
WINNER

COMFORT & DESIGN  
AWARD

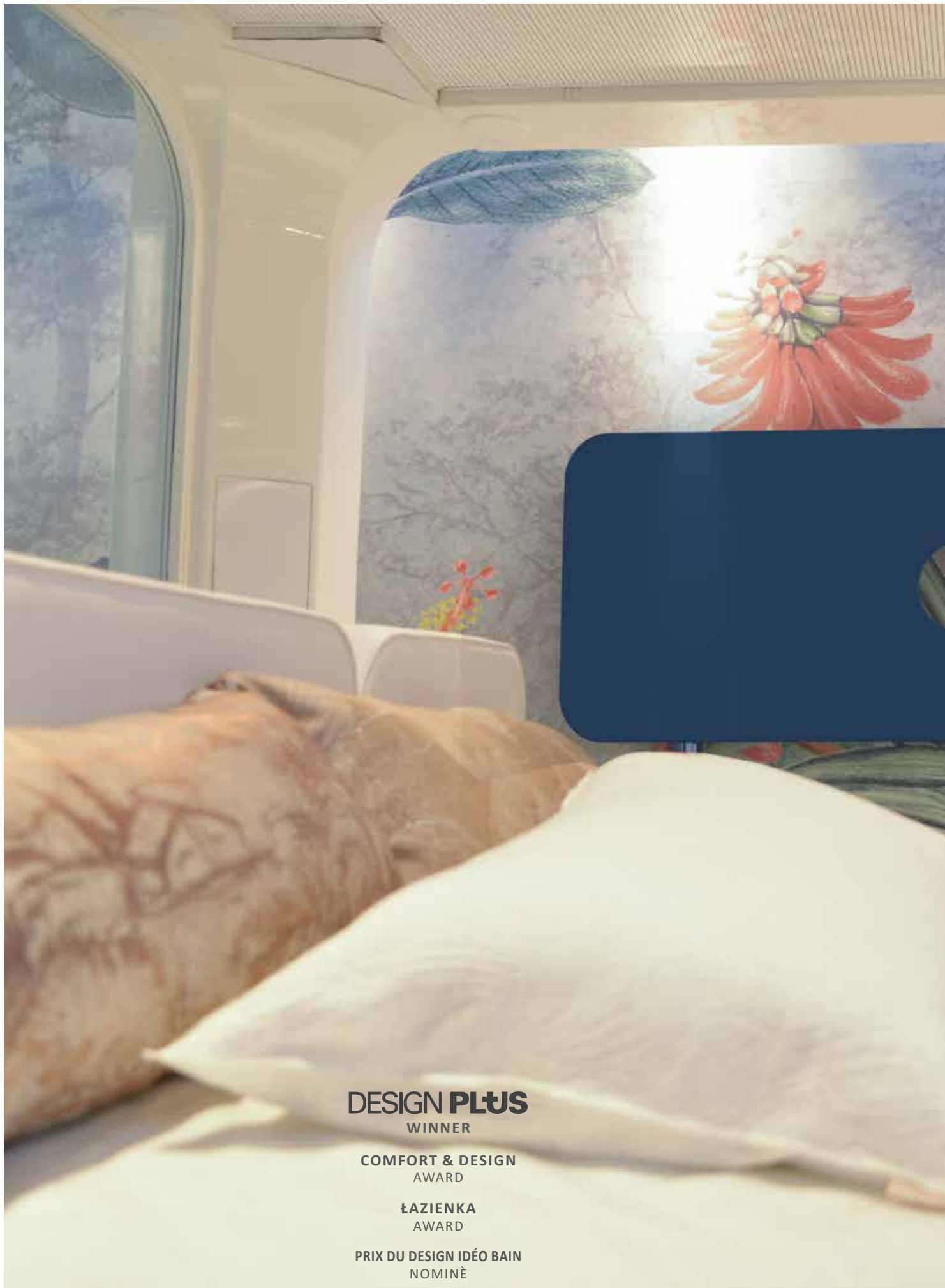
ŁAZIENKA  
AWARD

PRIX DU DESIGN IDÉO BAIN  
NOMINÉ

IN THE PICTURE ON THE RIGHT

model: vertical  
H: 1755 mm - L: 512 mm  
material: painted carbon steel  
colour: H27 bright red  
watt 795  
technical data page 236





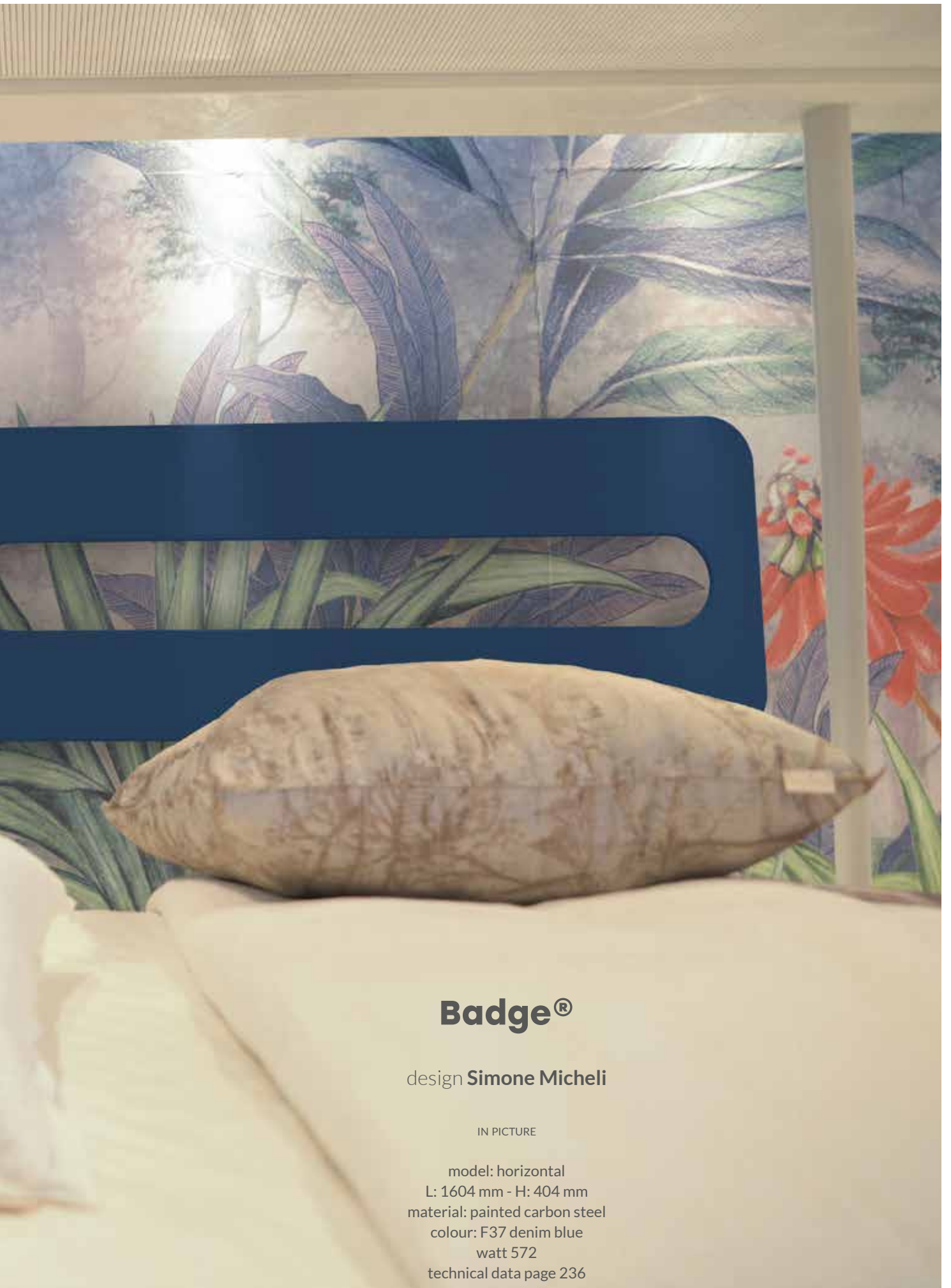
**DESIGN PLUS**  
WINNER

COMFORT & DESIGN  
AWARD

ŁAZIENKA  
AWARD

PRIX DU DESIGN IDÉO BAIN  
NOMINÉ





## Badge®

design **Simone Micheli**

IN PICTURE

model: horizontal  
L: 1604 mm - H: 404 mm  
material: painted carbon steel  
colour: F37 denim blue  
watt 572  
technical data page 236

Badge® offers design radiators' new concept, thanks to its original shape.

Three models which meet radiator's functional needs and for this reason they represent a revolution thanks to their design and the employment of a particular innovative technology features that have permitted to attain the prestigious Design Plus and Comfort & Design Award.



**DESIGN PLUS**  
WINNER

**COMFORT & DESIGN**  
AWARD

**ŁAZIENKA**  
AWARD

**PRIX DU DESIGN IDÉO BAIN**  
NOMINÉ

# E V E N T S



MILANO  
THE BAR



VERONA  
ABITARE IL TEMPO



MILANO - UNIVERSITÀ CA' GRANDA  
INTERNI DESIGN ENERGIES



NEW



# Badge<sup>®</sup> control

design **Simone Micheli**



**DESIGN PLUS**  
WINNER

COMFORT & DESIGN  
AWARD

ŁAZIENKA  
AWARD

PRIX DU DESIGN IDÉO BAIN  
NOMINÉ

IN PICTURE ON THE LEFT

model: vertical  
L: 512 mm - H: 1212 mm  
material: painted carbon steel  
colour: F34 red sand  
watt 567

accessories: Towel bar in polished stainless steel (IN THE UPPER PICTURE)  
technical data page 238

**DESIGN PLUS**

WINNER

**COMFORT & DESIGN  
AWARD**

**ŁAZIENKA  
AWARD**

**PRIX DU DESIGN IDÉO BAIN  
NOMINÉ**





# Badge® control

design **Simone Micheli**

IN PICTURE

model: horizontal  
L: 1604 mm - H: 404 mm  
colour: R01 pure white  
watt 572  
technical data page 238

**DESIGN PLUS**

WINNER

COMFORT & DESIGN  
AWARD

ŁAZIENKA  
AWARD

PRIX DU DESIGN IDÉO BAIN  
NOMINÉ

**Badge® electric**

design **Simone Micheli**

IN PICTURE

model: vertical

L: 512 mm - H: 1755 mm

material: painted carbon steel

colour: H30 green apple

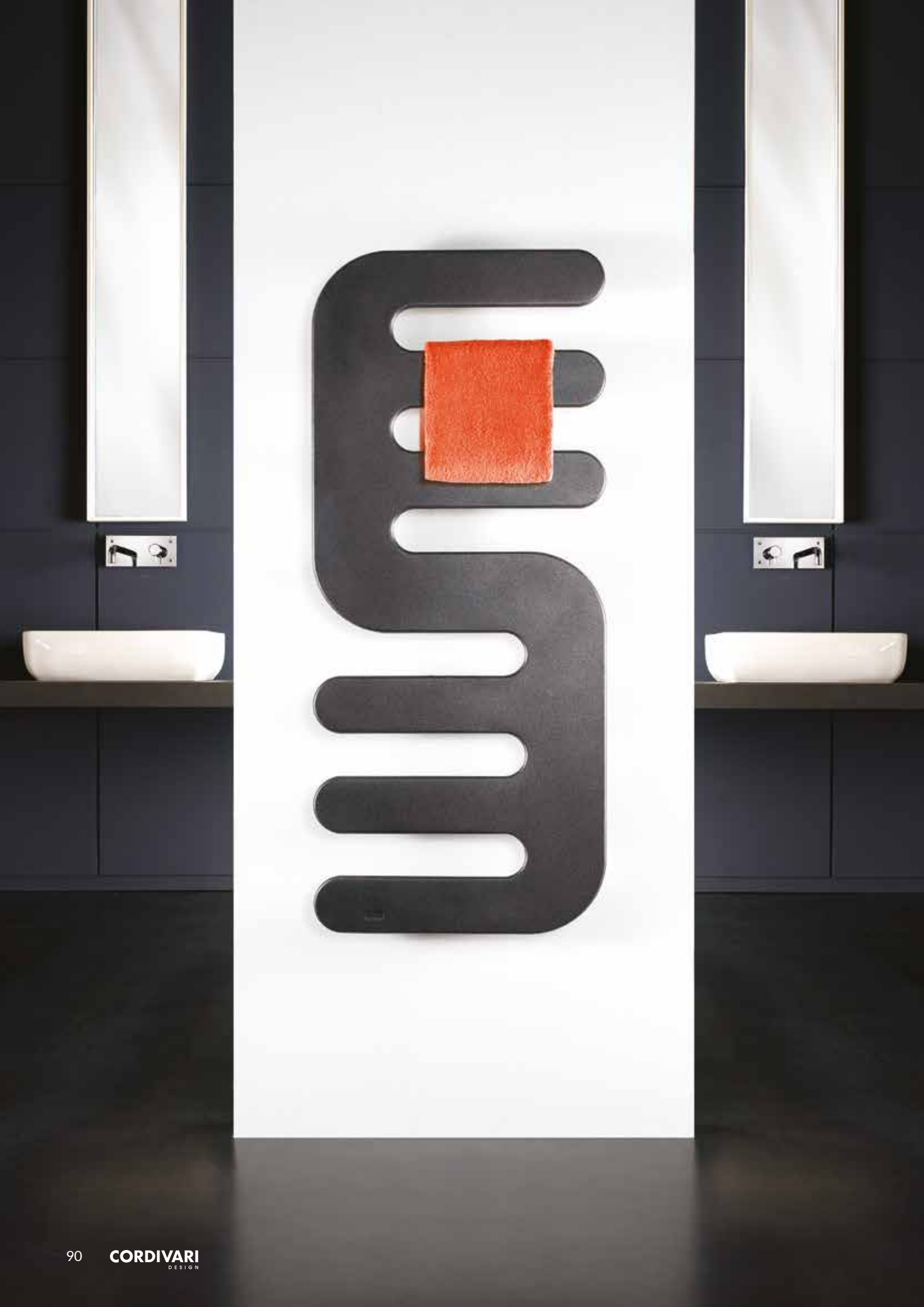
watt 750

technical data page 240









# Hand<sup>®</sup>



IN PICTURE ON THE LEFT

L: 514 mm - H: 1200 mm  
material: painted carbon steel  
colour: F15 metal sparkling black  
watt 490  
technical data page 242

## Hand<sup>®</sup> electric

IN PICTURE

L: 514 mm - H: 1200 mm  
material: painted carbon steel  
colour: H27 bright red  
watt 500  
technical data page 246







IN PICTURE

L: 520 mm - H: 1220 mm  
material: painted carbon steel  
colour: F25 quartz dust  
watt 508  
technical data page 248

# E.Sign



IN THE UPPER PICTURE

L: 520 mm - H: 1220 mm  
material: painted carbon steel  
colour: F20 milky  
watt 508  
technical data page 248

ICO 2  
NIC 0  
AWA 1  
RDS 8  
**INNOVATIVE  
INTERIOR**  
winner



**GERMAN  
DESIGN  
AWARD  
WINNER  
2019**



## **E.Sign**

IN PICTURE

L: 520 mm - H: 1220 mm  
material: painted carbon steel  
colour: H27 bright red  
watt 508  
technical data page 248







# Movie<sup>®</sup>

design **Mariano Moroni**



**COMFORT & DESIGN**  
NOMINÉ

IN PICTURE ON THE LEFT

L: 642 mm - H: 1392 mm  
material: painted carbon steel  
colour: F07 silver effect  
watt 559  
technical data page 250

*"The innovative Extraslim® radiator, draws inspiration from cinema as origin of visual communication. It consist of painted carbon steel plate and get over radiators' traditional image to become a friendly object and a symbol of human life".*

**M. Moroni**

**COMFORT & DESIGN**  
NOMINÉ

**Movie® electric**

design **Mariano Moroni**

IN PICTURE

L: 642 mm - H: 1392 mm  
material: painted carbon steel  
colour: R18 overseas blue  
watt 640  
technical data page 252







IN PICTURE

model: vertical  
L: 500 mm - H: 1500 mm  
material: painted carbon steel  
colour: F04 graphite grey  
watt 557  
technical data page 254

# Jungle®

design **Mariano Moroni**



IN THE UPPER PICTURE

model: horizontal  
L: 1500 mm - H: 500 mm  
material: painted carbon steel  
colour: R05 yellow rape  
watt 573  
technical data page 254





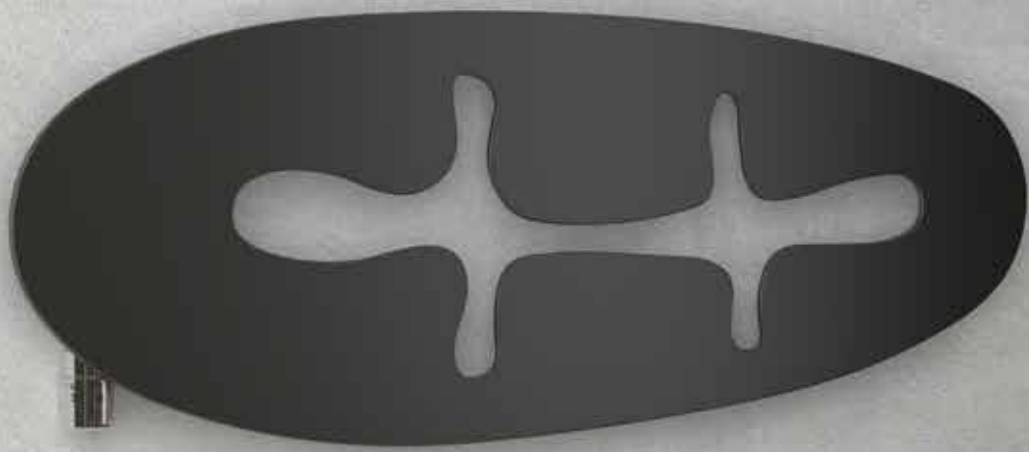


# Jungle®

design **Mariano Moroni**

IN PICTURE

model: horizontal  
l: 1500 mm - H: 500 mm  
material: painted carbon steel  
colour: F22 classic gold  
watt 573  
technical data page 254



## Jungle® control

design **Mariano Moroni**

IN PICTURE

L: 1500 mm - H: 500 mm  
material: painted carbon steel  
colour: W01 notturno  
watt 573  
technical data page 254

# Jungle<sup>®</sup> control

design **Mariano Moroni**



IN THE UPPER PICTURE

model: vertical  
H: 1500 mm - L: 500 mm  
material: painted carbon steel  
colour: R01 pure white  
watt 557  
technical data page 254



FRAME | FRAME MAX | FRAME LYNEA  
ANDREA | JACKY | YARA | DEBBY  
GROOVE | ROADS | ROADS STF  
FRAME 🗣️ | FRAME BLOWER 🗣️  
ANDREA 🗣️ | JACKY 🗣️

Neo design radiators are involved in the artistic trend of “minimalism” that has greatly influenced contemporary design. Purity, simplicity of lines and architectural forms, are the elements that will make you appreciate these sober and elegant radiators.

Interior furnishing designed to create a perfect synthesis between aesthetics and functionality, enables great thermal efficiency in line with current standards of energy saving.

The neo design with its unique style becomes protagonists of contemporary living.

# NEO DESIGN



# Frame Inox

polished stainless steel



IN PICTURE ON THE LEFT

model: vertical

L: 464 mm - H: 1822 mm

material: polished stainless steel plate  
watt 880

accessories: manual square polished elegant valve  
technical data page 258





*An incomparable design, a journey inside the most beautiful living atmosphere. The new model Frame evidences the purity of the design:*

*Frame Inox Polished, which produces light effects.*

**Frame Inox**  
polished stainless steel

IN PICTURE

model: horizontal

L: 2022 mm - H: 576 mm

material: polished stainless steel plate  
watt 1222

accessories: manual square polished elegant valve  
technical data page 262



# Frame Inox Decor

polished stainless steel | décor satin

artwork **Mariano Moroni**



IN PICTURE ON THE LEFT

model: vertical

L: 464 mm - H: 2022 mm

material: polished stainless steel plate with satin décor  
watt 978

accessories: manual square polished elegant valve  
technical data page 264

# Frame

*Frame and frame plus with their accurate manufacturing and impeccable finishes enhance the elegance and harmony of these heating radiators.*

IN THE PICTURE ON THE RIGHT

model: PLUS vertical  
L: 464 mm - H: 1622 mm  
material: painted carbon steel  
colour: T11 matt white  
watt 1241  
accessories: straight hanger polished  
technical data page 268





# Frame



IN THE PICTURE ON THE RIGHT

model: horizontal

L: 1622 mm - H: 464 mm

material: painted carbon steel

colour: F35 forest green

watt 789

accessories: wall-fit thermostatic valve

(IN THE UPPER PICTURE)

technical data page 272







# Frame Max



IN PICTURE ON THE LEFT

model: vertical  
L: 464 mm - H: 1822 mm  
material: painted carbon steel  
colour: F37 denim blue  
watt 1788  
accessories: tinta valve pipe centres 50 mm  
technical data page 274

# Frame Lynea

by Marco Pisati

*A new range of accessories designed by Marco Pisati, dedicated to Frame radiators.*

*A flexible and universal system of towel bars, hangers and shelves. Available in various sizes that allow you to optimize the space in the bathroom. The Lynea set, represents a new concept of complements that transform the heating plate in a multipurpose and decorative object. A versatile new element to better enjoy your home.*



reddot award 2017  
winner



archiproducts  
DESIGN AWARDS  
WINNER 2018



GERMAN  
DESIGN  
AWARD  
SPECIAL  
2019

IN THE PICTURE ON THE RIGHT

model: vertical  
L: 576 mm - H: 1822 mm  
material: painted carbon steel  
colour: F20 milky  
watt 1100  
technical data page 272

#### Lynea Accessories:

TOWEL BAR LEFT/RIGHT  
material: painted carbon steel  
colour: R05 yellow rape  
technical data page 276







# Frame Lynea

by Marco Pisati



reddot award 2017  
winner



archiproducts  
DESIGN AWARDS  
—  
WINNER 2018



IN PICTURE ON THE LEFT

model: vertical  
L: 576 mm - H: 1822 mm  
material: painted carbon steel  
colour: R09 dark brown  
watt 1100  
technical data page 268

**Lynea Accessories:**

Hook  
material: painted carbon steel  
colour: F20 milky  
TOWEL BAR LEFT  
material: painted carbon steel  
colour: F20 milky  
technical data page 276

# Frame Lynea

by Marco Pisati



IN THE PICTURE ON THE RIGHT

model: vertical

L: 464 mm - H: 2022 mm

material: painted carbon steel

colour: R21 silver grey

watt 978

technical data page 268

#### Lynea Accessories:

Hook

material: painted carbon steel

colour: R27 metal grey

SHELF FOR VERTICAL FRAME RADIATOR - L: 286 MM

material: oak moka textured

TOWEL BAR LEFT

material: painted carbon steel

colour: R27 metal grey

technical data page 276



reddot award 2017  
winner



archiproducts  
DESIGN AWARDS  
—  
WINNER 2018



GERMAN  
DESIGN  
AWARD  
SPECIAL  
2019







# Frame Lynea

by Marco Pisati



reddot award 2017  
winner



archiproducts  
DESIGN AWARDS  
—  
WINNER 2018



IN PICTURE ON THE LEFT

model: vertical  
L: 464 mm - H: 1822 mm  
material: painted carbon steel  
colour: R09 dark brown  
watt 880  
technical data page 268

IN THE UPPER PICTURE

**Lynea Accessories:**  
SHELF FOR VERTICAL FRAME RADIATOR - L. 286 MM  
material: whitened oak  
SHELF FOR VERTICAL FRAME RADIATOR - L. 692 MM  
material: whitened oak  
technical data page 276



reddot award 2017  
winner



archiproducts  
DESIGN AWARDS  
—  
WINNER 2018



GERMAN  
DESIGN  
AWARD  
SPECIAL  
2019

# Frame Lynea

by Marco Pisati

IN PICTURE

model: horizontal  
L: 1822 mm - H: 464 mm  
material: painted carbon steel  
colour: F20 Milky  
watt 880  
technical data page 272

**Lynea Accessories:**  
SHELF FOR HORIZONTAL FRAME RADIATOR - L. 800 MM  
top | bottom  
material: whitened oak  
technical data page 277





# Frame Lynea

by Marco Pisati



reddot award 2017  
winner



archiproducts  
DESIGN AWARDS  
WINNER 2018



IN PICTURE ON THE LEFT

model: horizontal  
L: 1622 mm - H: 352 mm  
material: painted carbon steel  
colour: F37 denim blue  
watt 595  
accessories: wall-fit thermostatic valve  
technical data page 272

**Lynea Accessories:**  
SHELF FOR HORIZONTAL FRAME RADIATOR:  
L. 800 mm  
material: Oak White Textured  
technical data page 277

NEW



## Frame Inox electric

IN PICTURE

model: vertical

L: 502 mm - H: 1416 mm

material: polished stainless steel  
watt 900

top digital thermostat with infrared remote  
control technical data page 280





# Frame electric

NEW



IN THE PICTURE ON THE RIGHT

model: vertical  
L: 502 mm - H: 1416 mm  
material: painted carbon steel  
colour: R27 metal grey  
watt 900  
top digital thermostat with infrared  
remote control  
technical data page 282





NEW



# Frame Blower



IN PICTURE ON THE LEFT

model: vertical  
L: 502 mm - H: 1416 mm  
material: painted carbon steel  
colour: T11 matt white  
watt 900 + 1000  
BLOWER electric ventilation  
technical data page 286

NEW

# Frame Inox Blower Dual Energy



IN THE PICTURE ON THE RIGHT

model: vertical  
l: 511 mm - H: 1425 mm  
material: polished stainless steel  
watt 615 + 1000  
BLOWER dual energy  
technical data page 288





NEW



## Frame Blower Dual Energy

IN PICTURE

model: vertical  
l: 511 mm - H: 1425 mm  
material: painted carbon steel  
colour: F07 silver effect  
watt 615 + 1000  
BLOWER dual energy  
technical data page 290



# Andrea

*When pure and rigorous elegance meets technology the result is a radiator that enriches all rest- and wellness-rooms.*

*Andrea towel rail adds to its exclusive and unique design, thanks to the patented technology, ergonomics, practical use and clean surfaces.*



IN THE PICTURE ON THE RIGHT

L: 500 mm - H: 1410 mm

material: painted carbon steel

colour: T13 matt grey

watt 489

accessories: tinta valve pipe centres

50 mm with thermostatic head right

technical data page 292









# Andrea



IN PICTURE ON THE LEFT

L: 500 mm - H: 1410 mm  
material: painted carbon steel  
colour: R01 pure white  
watt 489

accessories: tinta valve pipe centres 50 mm with thermostatic head left  
technical data page 292

# MyWay®

C O S Y H O M E

*My Way® is the smart solution  
for the heating that makes  
your home more welcoming!*





## Andrea

IN PICTURE

L: 500 mm - H: 1410 mm  
material: painted carbon steel  
colour: F20 milky  
watt 489  
accessories: elegant valve with pipe centres  
50 mm square with My Head wireless  
thermostatic head ad My Way® system  
technical data page 292



# Andrea electric



IN PICTURE ON THE LEFT

L: 500 mm - H: 1410 mm  
material: painted carbon steel  
colour: F25 quartz dust  
watt 700  
top digital thermostat with infrared remote control  
technical data page 294

# Jacky



IN THE PICTURE ON THE RIGHT

L: 500 mm - H: 1260 mm

material: painted carbon steel

colour: R02 traffic white

watt 566

accessories: elegant polished valve with pipe centres

50 mm square left

technical data page 296







# Jacky electric



IN PICTURE ON THE LEFT

L: 500 mm - H: 1260 mm  
material: painted carbon steel  
colour: R13 jet black  
watt 600  
top digital thermostat with infrared remote control  
technical data page 298

# Yara



IN THE UPPER PICTURE

L: 500 mm - H: 988 mm

material: painted carbon steel

colour: R01 pure white

watt 465

accessories: tinta valve pipe centres 50 mm with thermostatic head left

technical data page 300





IN PICTURE

L: 500 mm - H: 988 mm

material: painted carbon steel

colour: R13 jet black

watt 465

accessories: tinta valve pipe centres 50 mm with thermostatic

head right

technical data page 300



IN PICTURE

L: 500 mm - H: 1408 mm  
material: painted carbon steel  
colour: F36 terra  
watt 548

accessories: tinta valve pipe centres 50 mm with thermostatic head right  
technical data page 302

# Debby



IN THE UPPER PICTURE

L: 500 mm - H: 1408 mm  
material: painted carbon steel  
colour: R40 pearl white  
watt 548

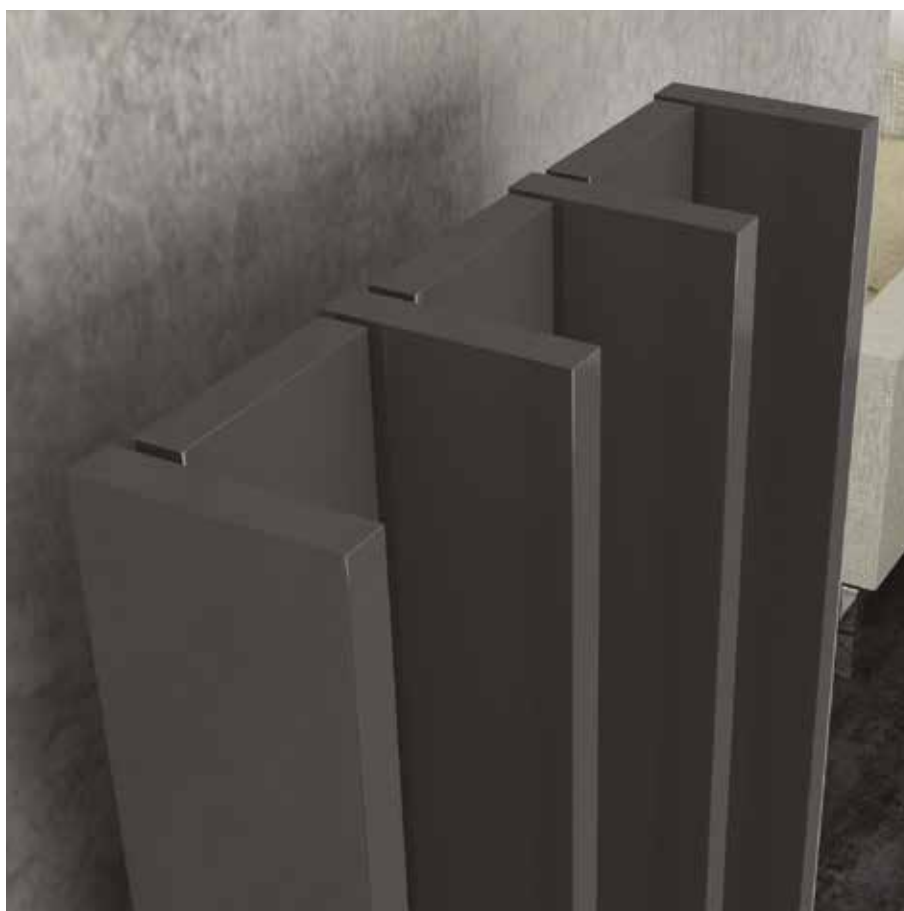
accessories: elegant polished valve with pipe centres 50 mm square left  
technical data page 302





# Groove<sup>®</sup>

design **Mariano Moroni**



IN PICTURE ON THE LEFT

L: 416 mm - H: 2000 mm

material: aluminium

colour: R02 traffic white

watt 1460

accessories: tinta valve pipe centres 50 mm with thermostatic head left

technical data page 304

# Roads®

design **Mariano Moroni**

*"Roads® means the research for essentiality, with a simple and pure formal language*

*Vertical heating elements, continuously playing with lights and shadows, are creating parallel streets in a fantasy Metropole".*

**M. Moroni**

IN THE PICTURE ON THE RIGHT

L: 496 mm - H: 1800 mm

material: aluminium

colour: S02 manhattan

watt 1315

accessories: tinta valve pipe centres 50 mm with thermostatic head right

technical data page 306







# Roads<sup>®</sup> stf

design **Mariano Moroni**



PROFILE-COVER  
POLISHED

PROFILE-COVER  
MATCHING IN COLOUR

IN PICTURE ON THE LEFT

L: 1188 mm - H: 740 mm  
material: aluminium  
colour: F09 graphite grey  
profile-cover: polished  
watt 1506  
technical data page 308





## Roads® Stf

design **Mariano Moroni**

IN PICTURE

L: 916 mm - H: 640 mm

material: aluminium

colour: S17 bahama beige

profile-cover: matching in colour

watt 1002

accessories: manual square painted elegant valve

technical data page 308





RETRÒ I | RETRÒ II | RETRÒ III  
RETRÒ I  | RETRÒ II  | RETRÒ III 

Retrò is the line of Cordivari radiators, inspired by classical forms and elegant design.

With timeless shapes these decorative radiators are available with shiny and bright finishing to decorate your bathrooms with the most exclusive taste.

The line Retrò is available in 3 models with 3 different finishes: chrome, antique bronze, antique Gold.

# CLASSIC LINE



IN PICTURE

model: Retrò II

L: 575 mm - H: 975 mm

finish: chrome

accessories: chrome square manual elegant valve  
technical data page 310

# Retrò



IN THE UPPER PICTURE

model: Retrò I

L: 575 mm - H: 975 mm

finish: antique gold

accessories: antique gold square manual elegant valve

technical data page 310



# E V E N T S



BOLOGNA  
MILLELUCI



# Retrò

*Retrò is the line of Cordivari radiators, inspired by classical forms and elegant design.*

*With timeless shapes these decorative radiators are available with shiny and bright finishing to decorate your bathrooms with the most exclusive taste.*

*The line Retrò is available in 3 models with 3 different finishes: chrome, antique bronze, antique Gold.*

IN THE PICTURE ON THE RIGHT

model: Retrò III

L: 675 mm - H: 970 mm

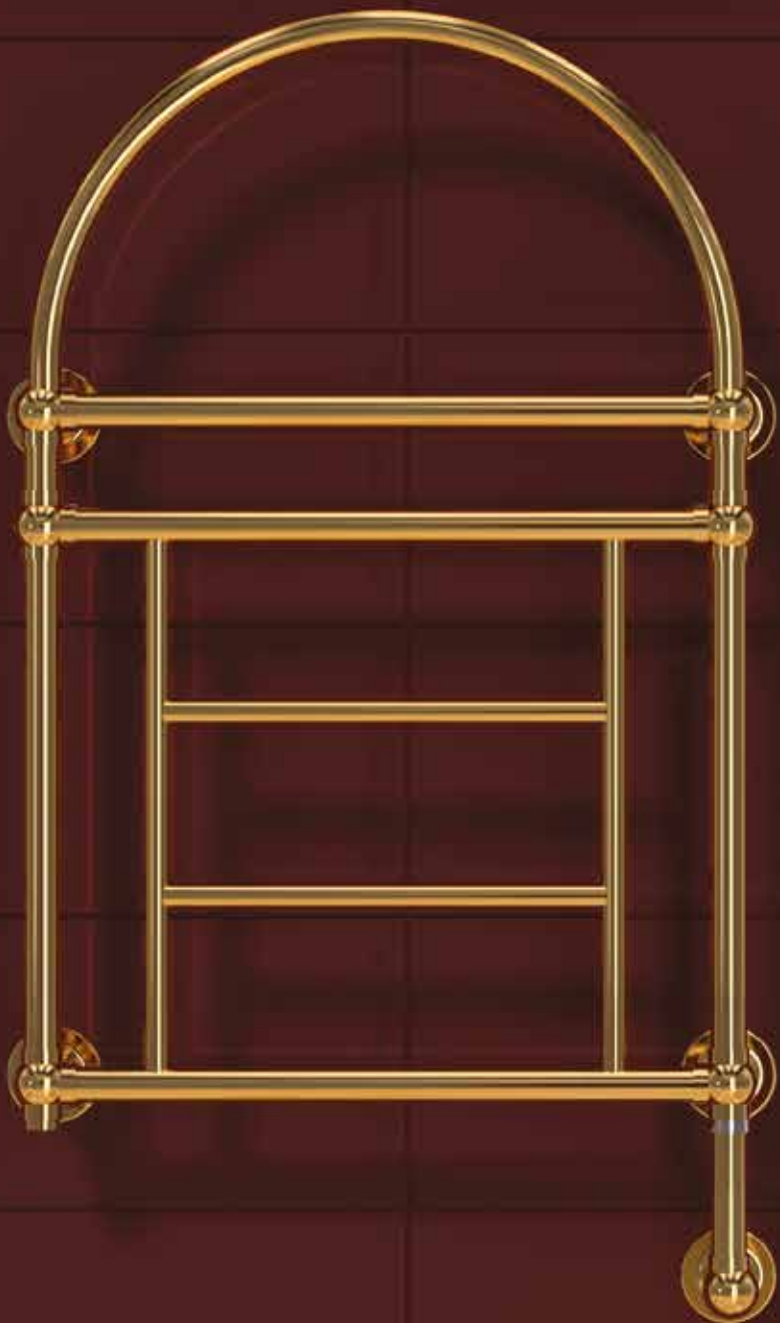
finish: antique gold

accessories: antique gold square manual elegant valve

technical data page 310







IN PICTURE

model: Retrò III electric  
L: 675 mm - H: 970 mm  
finish: antique gold  
sleeving kit antique gold  
technical data page 312



# Retrò electric



IN THE UPPER PICTURE

model: Retrò I electric  
L: 575 mm - H: 975 mm  
finish: chrome  
sleeving kit chrome  
technical data page 312



## FRAME PICTURE | ROSY GRAPHIC

Heat and colour. The picture radiator spreading the heating through beautiful colours and images, become the canvas of a painter or a frame upon which the most exciting impressions of your life are captured.

An innovative and everlasting painting process, internationally awarded, with high quality finishing and environment friendly approach. The radiator becomes a design object, an element that personalizes your living environment, making it a unique item, enriched by chromatic effects you can choose between graphics solutions proposed by cordivari design, created by painters, artists, designers or from yourself with your favourite images, which will capture forever on the radiator your desired image.

# GRAPHIC PICTURE



IN PICTURE

model: vertical  
L: 464 mm - H: 2022 mm  
artwork: corallo  
watt 978

accessories: manual square polished elegant valve  
technical data page 308

# Frame Picture

artwork **Mariano Moroni**



IN THE UPPER PICTURE

model: vertical  
L: 464 mm - H: 2022 mm  
artwork: artic  
watt 978

accessories: manual square polished elegant valve  
technical data page 308

*Cordivari Design presents a attractive range of radiators with exclusive colour combinations created by architect and artist Mariano Moroni.*

*The new graphics are available on FRAME and FRAME PLUS furnishing radiators. The accurate manufacturing and impeccable finishes enhance the elegance and harmony of the new Frame colours.*

*The entire range is accessorized with handy and essential satin stainless steel towel racks.*

## Frame Picture

artwork **Mariano Moroni**

IN PICTURE

model: vertical

L: 352 mm - H: 1822 mm

artwork: Abstract 06

watt 676

accessories: manual square polished elegant valve  
technical data page 318



# Frame Picture

IN THE PICTURE ON THE RIGHT

model: vertical  
L: 352 mm - H: 1822 mm  
artwork: iris 03  
watt 676  
technical data page 318









# Frame Picture trittico

IN PICTURE

model: vertical  
L: 464 mm - H: 2022 mm (x3)  
artwork: fisher  
watt 978 (x3)  
technical data page 318





# Rosy Graphic

artwork **Mariano Moroni**



IN PICTURE ON THE LEFT

model: vertical  
H: 2000 mm - L: 280 mm (x2)  
artwork: totem white | totem black  
watt 630 (x2)  
technical data page 322

# Rosy Graphic

artwork **Mariano Moroni**

*Cordivari proposes an evolution of personalized radiators with the Rosy Graphic models: 3 single columns in painted carbon steel which are decorated with original graphics ideated by the Arch. Mariano Moroni. Vertical and horizontal dimensions and colours have been chosen with care to offer an exclusive design radiators collection easy to place in every contemporaneous living space.*

IN THE PICTURE ON THE RIGHT

model: vertical

L: 560 mm - H: 2000 mm

artwork: ring

watt 1260

accessories: manual square painted elegant valve

technical data page 322









**CORDIVARI**  
DESIGN

TECHNICAL  
DATA



# LOLA<sup>®</sup> HORIZONTAL

SATIN STAINLESS STEEL

**3D**  
TRADEMARK



PAGE 16

**15 YEARS**  
WARRANTY

**MATERIAL:**

Vertical collectors in satin stainless steel with  $\varnothing$  of 38 mm.  
Curved heating elements in satin stainless steel 30x10 mm.

**FIXING KIT:**

Brackets, airvent, hexagonal tool, plugs and screws for mounting suitable for use on compact or hollow brick, user notice.  
The kit is certified from TÜV in compliance with VDI 6036-class 4.

**PACKAGING:**

The radiator is protected by a recyclable film in polyethylene and with a carton box. User notice included.

**FEATURES:**

It is totally made in stainless steel with an unalterable finishing guaranteed during the years.  
Thermal outputs certified in accredited laboratories in compliance with European norm EN442.

PRODUCT CERTIFICATES



Pression maximale de service: 8 bar

Température maximale de service: 110° C

Available for central heating systems

Connexions: n° 2 x 1/2" gaz - n° 1 x 1/2" gaz

AWARD

**GOLD VILLA**  
AWARD

ACCESSORIES



**Elegant manual square satin valve**

Copper connection  $\varnothing$  12/14/15  
Art. Nr. 5991990320209

Multilayer connection  $\varnothing$  16  
Art. Nr. 5991990320208



**Elegant manual reverse satin valve**

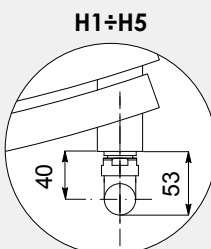
Copper connection  $\varnothing$  12/14/15  
Art. Nr. 5991990320207

Multilayer connection  $\varnothing$  16  
Art. Nr. 5991990320206



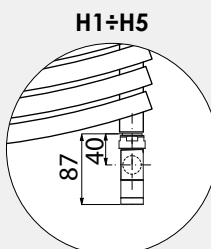
**Kit 2 hooks satin stainless steel**

Art. Nr. 5991990010224



H1÷H5

Measures for Elegant square manual valve



H1÷H5

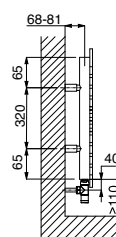
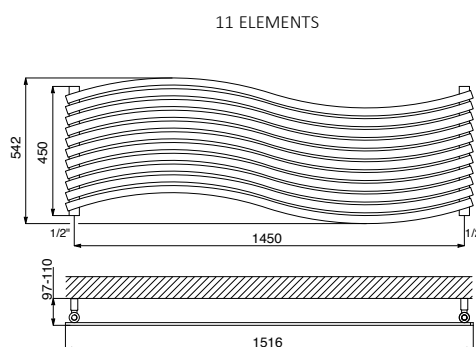
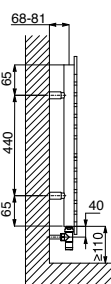
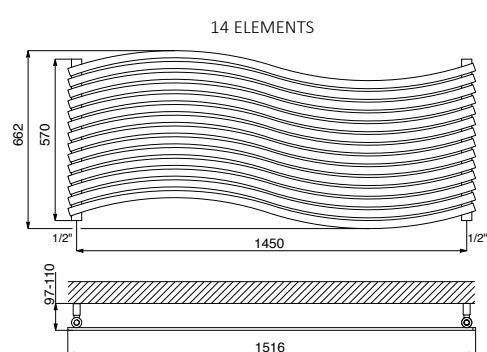
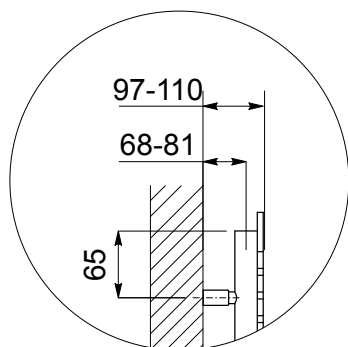
Measures for Elegant reverse manual valve



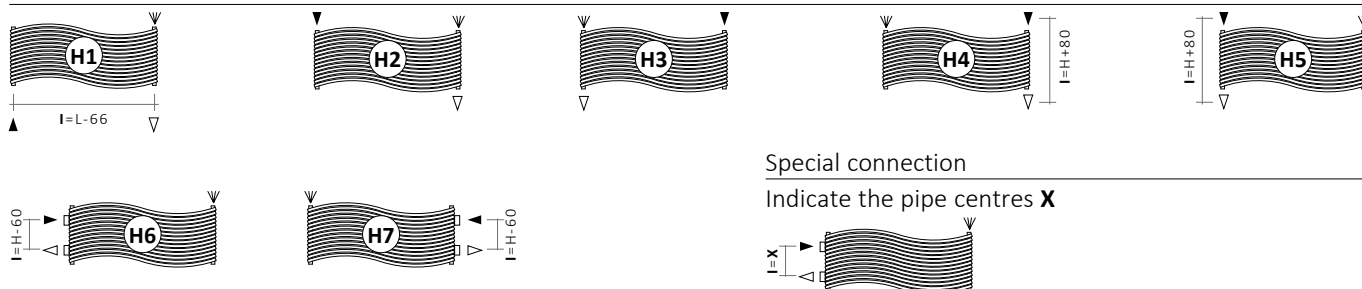
**Sleeving kit for satin valves**

Art. Nr. 5103000000045

Accessories and spare parts - see from page 328.



## Standard Connexions



Always specify the kind of connection needed when ordering (from H1 to H7).

Legend = ► In ◄ Out ◀ Airvent H Height I Pipe Centres L Width □ Connection

LOLA<sup>®</sup> HORIZONTAL - SATIN STAINLESS STEEL

Art. Nr.	Variant	Height	Width	Pipe Centres	Dry Weight	Surface	Water Content	Thermal output Watt		Exponent n
		H [mm]	L [mm]	I [mm]	[Kg]	[m <sup>2</sup> ]	[lt]	Δt = 50°C	Δt = 30°C	
3551740000001	H1	<b>450</b>	1516	1450	15,5	1,45	4,1	549	287	1,2712
3551740000013		<b>570</b>	1516	1450	19,0	1,84	5,1	698	363	1,2804
3551740000106	H2	<b>450</b>	1516	-	15,5	1,45	4,1	549	287	1,2712
3551740000064		<b>570</b>	1516	-	19,0	1,84	5,1	698	363	1,2804
3551740000094	H3	<b>450</b>	1516	-	15,5	1,45	4,1	549	287	1,2712
3551740000093		<b>570</b>	1516	-	19,0	1,84	5,1	698	363	1,2804
3551740000027	H4	<b>450</b>	1516	530	15,5	1,45	4,1	549	287	1,2712
3551740000061		<b>570</b>	1516	650	19,0	1,84	5,1	698	363	1,2804
3551740000063	H5	<b>450</b>	1516	530	15,5	1,45	4,1	549	287	1,2712
3551740000070		<b>570</b>	1516	650	19,0	1,84	5,1	698	363	1,2804
3551740000036	H6	<b>450</b>	1516	390	15,5	1,45	4,1	549	287	1,2712
3551740000085		<b>570</b>	1516	510	19,0	1,84	5,1	698	363	1,2804
3551740000067	H7	<b>450</b>	1516	390	15,5	1,45	4,1	549	287	1,2712
3551740000082		<b>570</b>	1516	510	19,0	1,84	5,1	698	363	1,2804

For output at different Δt than 50°C, please refer to the following formula: desired output = output at Δt 50°C x (desired Δt/50)<sup>n</sup>



# LOLA<sup>®</sup> HORIZONTAL

POLISHED STAINLESS STEEL | DECOR



PAGE 18

**3D**  
TRADEMARK

**15 YEARS**  
WARRANTY

**MATERIAL:**

Vertical collectors in polished stainless steel with  $\varnothing$  of 38 mm.  
Curved heating elements in polished stainless steel 30x10 mm.

**FIXING KIT:**

Brackets, airvent, hexagonal tool, plugs and screws for mounting suitable for use on compact or hollow brick, user notice.  
The kit is certified from TÜV in compliance with VDI 6036-class 4.

**PACKAGING:**

The radiator is protected by a recyclable film in polyethylene and with a carton box. User notice included.

**FEATURES:**

It is totally made in stainless steel with an unalterable finishing guaranteed during the years.  
Thermal outputs certified in accredited laboratories in compliance with European norm EN442.

PRODUCT CERTIFICATES



Pression maximale de service: 8 bar

Température maximale de service: 110° C

Available for central heating systems

Connexions: n° 2 x 1/2" gaz - n° 1 x 1/2" gaz

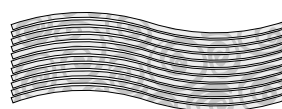
AWARD

**GOLD VILLA**  
AWARD

LOLA<sup>®</sup> DECOR



artwork **Mariano Moroni**



ACCESSORIES



**Elegant square manual polished valve kit**

Copper connection  $\varnothing$  12/14/15  
Art. Nr. 5991990301084

Multilayer connection  $\varnothing$  16  
Art. Nr. 5991990301083



**Elegant reverse manual polished valve kit**

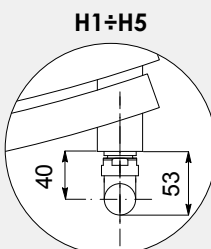
Copper connection  $\varnothing$  12/14/15  
Art. Nr. 5991990301082

Multilayer connection  $\varnothing$  16  
Art. Nr. 5991990301081



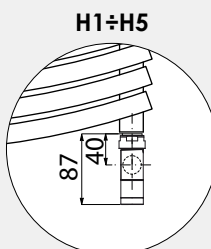
**Kit 2 hooks polished stainless steel**

Art. Nr. 5991990010223



H1÷H5

Measures for Elegant square manual valve



H1÷H5

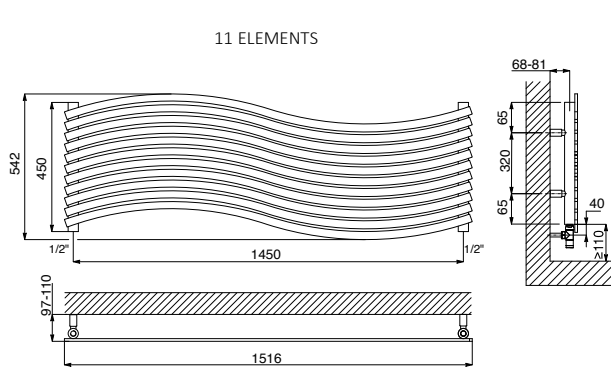
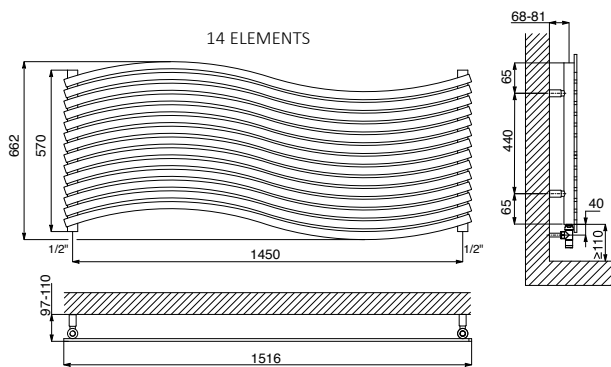
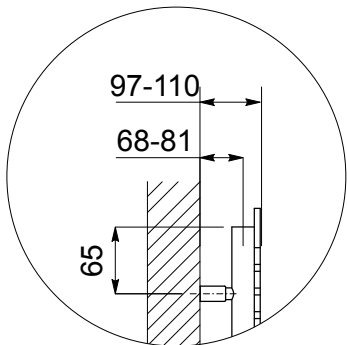
Measures for Elegant reverse manual valve



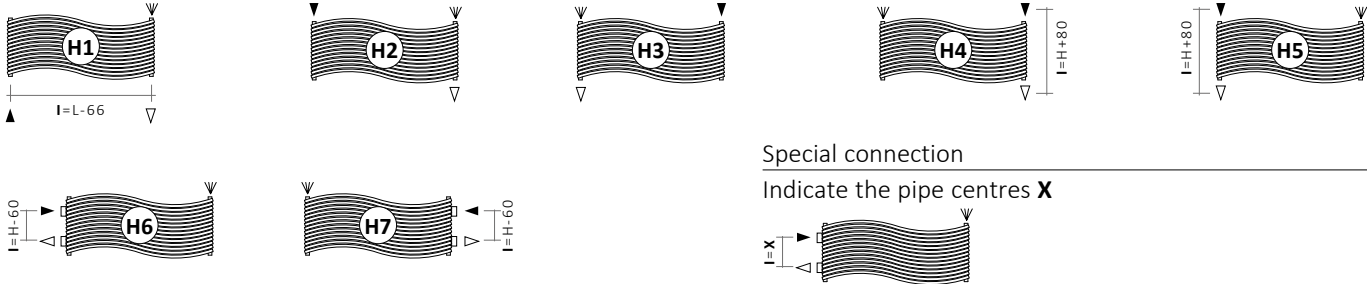
**Sleeving kit for polished valves**

Art. Nr. 5103000000044

Accessories and spare parts - see from page 328.



Standard Connexions



Always specify the kind of connection needed when ordering (from H1 to H7).

Legend = ► In ◄ Out ◀ Airvent H Height I Pipe Centres L Width □ Connection

LOLA® HORIZONTAL

Variant	Height H [mm]	Width L [mm]	Pipe Centres I [mm]	POLISHED		DECOR		Dry Weight [Kg]	Surface [m²]	Water Content [lt]	Thermal output Watt		Exponent n
				Art. Nr.	Art. Nr.	Δt = 50°C	Δt = 30°C						
H1	450	1516	1450	3551740000005	3551740000006	15,5	1,45	4,1	507	264	1,2746		
	570	1516	1450	3551740000004	3551740000007	19,0	1,84	5,1	645	334	1,2878		
H2	450	1516	-	3551740000050	3551740000072	15,5	1,45	4,1	507	264	1,2746		
	570	1516	-	3551740000107	3551740000073	19,0	1,84	5,1	645	334	1,2878		
H3	450	1516	-	3551740000108	3551740000112	15,5	1,45	4,1	507	264	1,2746		
	570	1516	-	3551740000095	3551740000102	19,0	1,84	5,1	645	334	1,2878		
H4	450	1516	530	3551740000042	3551740000066	15,5	1,45	4,1	507	264	1,2746		
	570	1516	650	3551740000068	3551740000059	19,0	1,84	5,1	645	334	1,2878		
H5	450	1516	530	3551740000080	3551740000083	15,5	1,45	4,1	507	264	1,2746		
	570	1516	650	3551740000058	3551740000078	19,0	1,84	5,1	645	334	1,2878		
H6	450	1516	390	3551740000053	3551740000074	15,5	1,45	4,1	507	264	1,2746		
	570	1516	510	3551740000014	3551740000098	19,0	1,84	5,1	645	334	1,2878		
H7	450	1516	390	3551740000051	3551740000089	15,5	1,45	4,1	507	264	1,2746		
	570	1516	510	3551740000055	3551740000113	19,0	1,84	5,1	645	334	1,2878		

For output at different Δt than 50°C, please refer to the following formula: desired output = output at Δt 50°C x (desired Δt/50)<sup>n</sup>



# LOLA<sup>®</sup> VERTICAL

SATIN STAINLESS STEEL



PAGE 16

**3D**  
TRADEMARK

**15 YEARS**  
WARRANTY

**MATERIAL:**

Horizontal collectors in satin stainless steel with  $\varnothing$  of 38 mm.  
Curved heating elements in satin stainless steel 30x10 mm.

**FIXING KIT:**

Brackets, airvent, hexagonal tool, plugs and screws for mounting suitable for use on compact or hollow brick, user notice.  
The kit is certified from TÜV in compliance with VDI 6036-class 4.

**PACKAGING:**

The radiator is protected by a recyclable film in polyethylene and with a carton box. User notice included.

**FEATURES:**

It is totally made in stainless steel with an unalterable finishing guaranteed during the years.  
Thermal outputs certified in accredited laboratories in compliance with European norm EN442.

PRODUCT CERTIFICATES



Pression maximale de service: 8 bar

Température maximale de service: 110° C

Available for central heating systems

Connexions: n° 2 x 1/2" gaz - n° 1 x 1/8" gaz

AWARD

**GOLD VILLA**  
AWARD

ACCESSORIES



**Elegant manual square satin valve**

Copper connection  $\varnothing$  12/14/15  
Art. Nr. 5991990320209

Multilayer connection  $\varnothing$  16  
Art. Nr. 5991990320208



**Elegant square satin valve kit pipe centres 50 mm with thermostatic head - right**

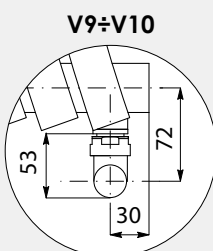
Copper connection  $\varnothing$  12/14/15  
Art. Nr. 5991990320201

Multilayer connection  $\varnothing$  16  
Art. Nr. 5991990320200



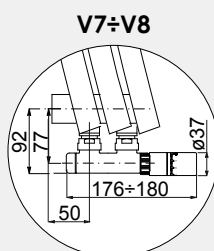
**Kit 2 hooks satin stainless steel**

Art. Nr. 5991990010224



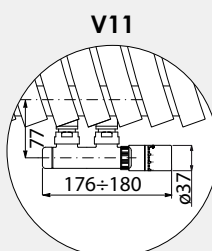
**V9÷V10**

Measures for Elegant square manual valve



**V7÷V8**

Measures for valves type Cordivari Elegant Square with thermostatic head and pipe centres 50 mm



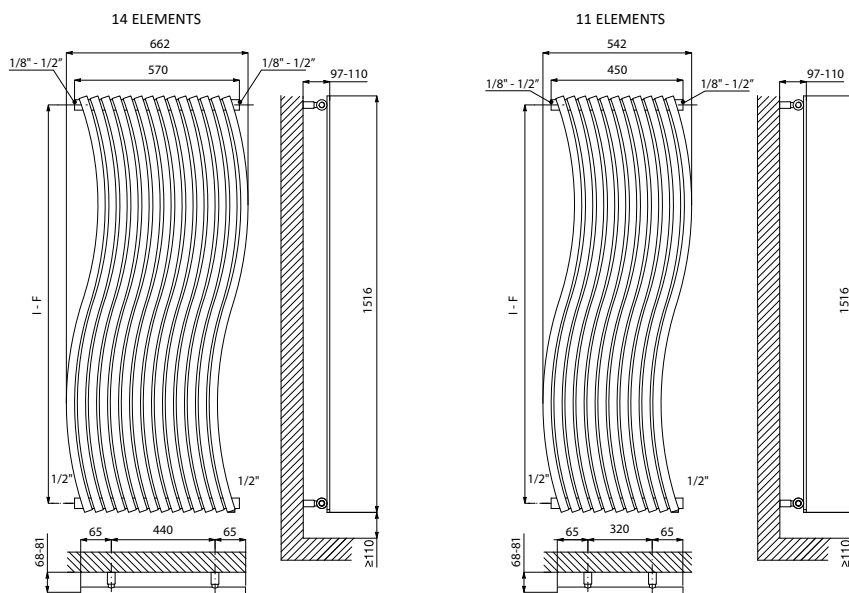
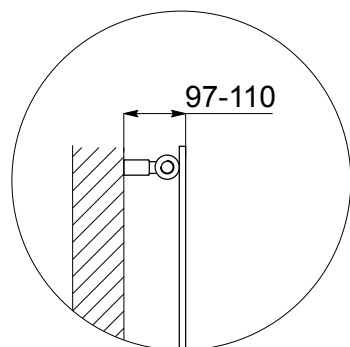
**V11**



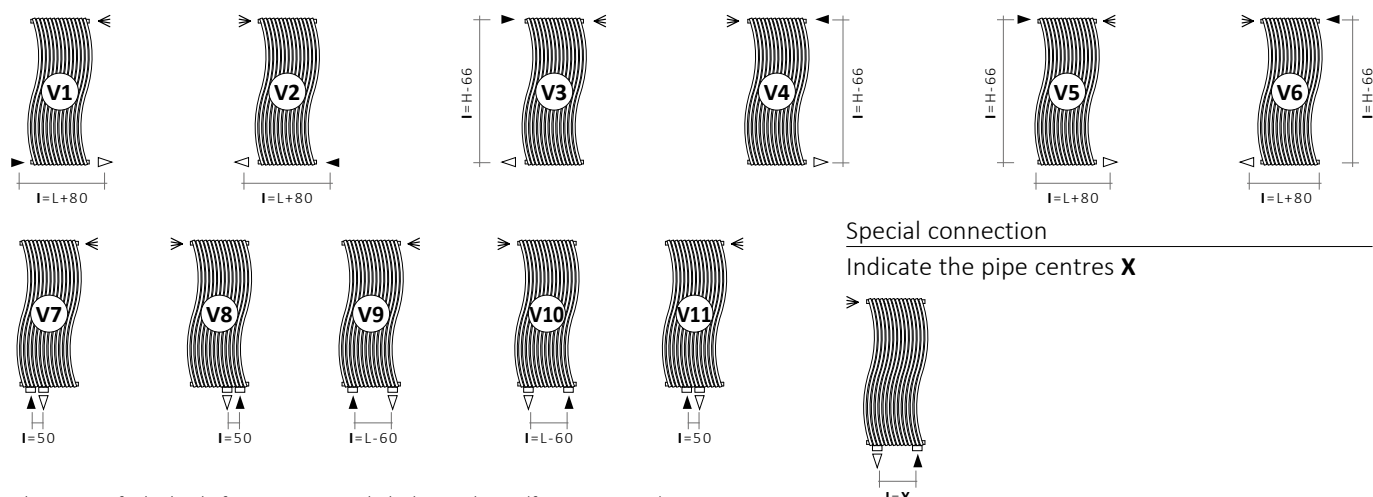
**Sleeving kit for satin valves**

Art. Nr. 5103000000045

Accessories and spare parts - see from page 328.



## Standard Connexions



Always specify the kind of connection needed when ordering (from V1 to V11).

Legend = ► In ▷ Out ◀ Airvent H Height I Pipe Centres L Width □ Connection

## LOLA® VERTICAL - SATIN STAINLESS STEEL

Art. Nr.	Variant	Height	Width	Pipe Centres	Dry Weight	Surface	Water Content	Thermal output Watt		Exponent n
		H [mm]	L [mm]	I [mm]	[Kg]	[m <sup>2</sup> ]	[lt]	Δt = 50°C	Δt = 30°C	
3551740130001	V1	<b>1516</b>	450	530	15,5	1,45	4,1	557	289	1,2811
3551740130002			570	650	19,0	1,84	5,1	708	365	1,2959
3551740000016	V2	<b>1516</b>	450	530	15,5	1,45	4,1	557	289	1,2811
3551740000062			570	650	19,0	1,84	5,1	708	365	1,2959
3551740000069	V3	<b>1516</b>	450	1450	15,5	1,45	4,1	557	289	1,2811
3551740000047			570	1450	19,0	1,84	5,1	708	365	1,2959
3551740000019	V4	<b>1516</b>	450	1450	15,5	1,45	4,1	557	289	1,2811
3551740000023			570	1450	19,0	1,84	5,1	708	365	1,2959
3551740000077	V5	<b>1516</b>	450	1450	15,5	1,45	4,1	557	289	1,2811
3551740000103			570	1450	19,0	1,84	5,1	708	365	1,2959
3551740000104	V6	<b>1516</b>	450	1450	15,5	1,45	4,1	557	289	1,2811
3551740000105			570	1450	19,0	1,84	5,1	708	365	1,2959
3551740000054	V7	<b>1516</b>	450	50	15,5	1,45	4,1	557	289	1,2811
3551740000030			570	50	19,0	1,84	5,1	708	365	1,2959
3551740000039	V8	<b>1516</b>	450	50	15,5	1,45	4,1	557	289	1,2811
3551740000011			570	50	19,0	1,84	5,1	708	365	1,2959
3551740000040	V9	<b>1516</b>	450	390	15,5	1,45	4,1	557	289	1,2811
3551740000012			570	510	19,0	1,84	5,1	708	365	1,2959
3551740000037	V10	<b>1516</b>	450	390	15,5	1,45	4,1	557	289	1,2811
3551740000022			570	510	19,0	1,84	5,1	708	365	1,2959
3551740000008	V11	<b>1516</b>	450	50	15,5	1,45	4,1	557	289	1,2811
3551740000038			570	50	19,0	1,84	5,1	708	365	1,2959

For output at different Δt than 50°C, please refer to the following formula: desired output = output at Δt 50°C x (desired Δt/50)<sup>n</sup>



# LOLA® VERTICAL

POLISHED STAINLESS STEEL | DECOR



PAGE 20

**3D**  
TRADEMARK

**15 YEARS**  
WARRANTY

**MATERIAL:**

Horizontal collectors in polished stainless steel with  $\varnothing$  of 38 mm.  
Curved heating elements in polished stainless steel 30x10 mm.

**FIXING KIT:**

Brackets, airvent, hexagonal tool, plugs and screws for mounting suitable for use on compact or hollow brick, user notice.  
The kit is certified from TÜV in compliance with VDI 6036-class 4.

**PACKAGING:**

The radiator is protected by a recyclable film in polyethylene and with a carton box. User notice included.

**FEATURES:**

It is totally made in stainless steel with an unalterable finishing guaranteed during the years.  
Thermal outputs certified in accredited laboratories in compliance with European norm EN442.

PRODUCT CERTIFICATES



Pression maximale de service: 8 bar

Température maximale de service: 110° C

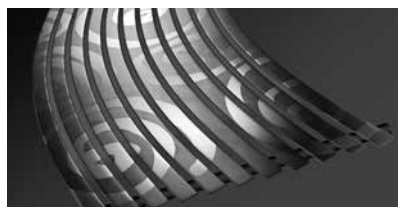
Available for central heating systems

Connexions: n° 2 x 1/2" gaz - n° 1 x 1/8" gaz

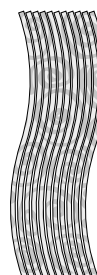
AWARD

**GOLD VILLA**  
AWARD

LOLA® DECOR



artwork **Mariano Moroni**



ACCESSORIES



**Elegant square manual polished valve kit**

Copper connection  $\varnothing$  12/14/15  
Art. Nr. 5991990301084

Multilayer connection  $\varnothing$  16  
Art. Nr. 5991990301083



**Elegant square polished valve kit pipe centres 50 mm with thermostatic head - right**

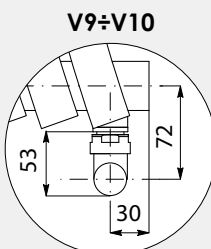
Copper connection  $\varnothing$  12/14/15  
Art. Nr. 5991990301076

Multilayer connection  $\varnothing$  16  
Art. Nr. 5991990301075



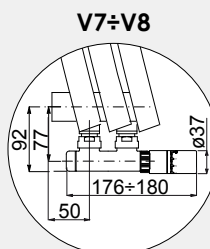
**Kit 2 hooks polished stainless steel**

Art. Nr. 5991990010223



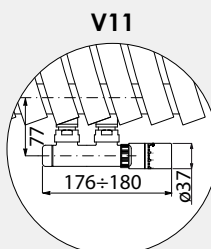
**V9÷V10**

Measures for Elegant square manual valve



**V7÷V8**

Measures for valves type Cordivari Elegant Square with thermostatic head and pipe centres 50 mm



**V11**

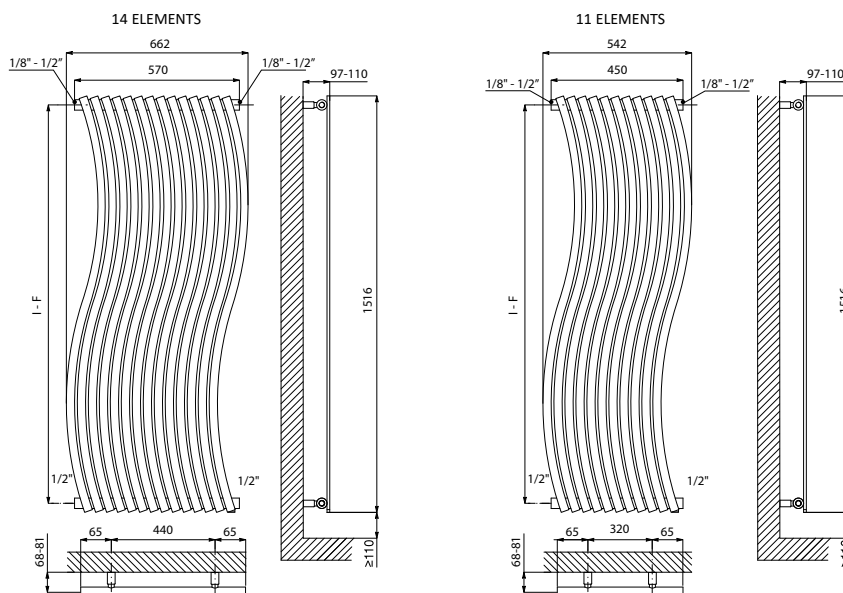
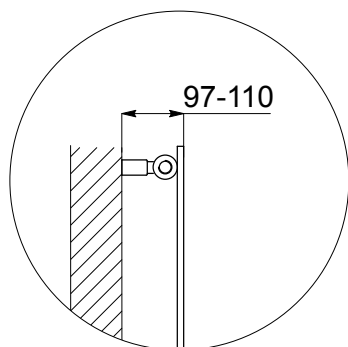


**Sleeving kit for polished valves**

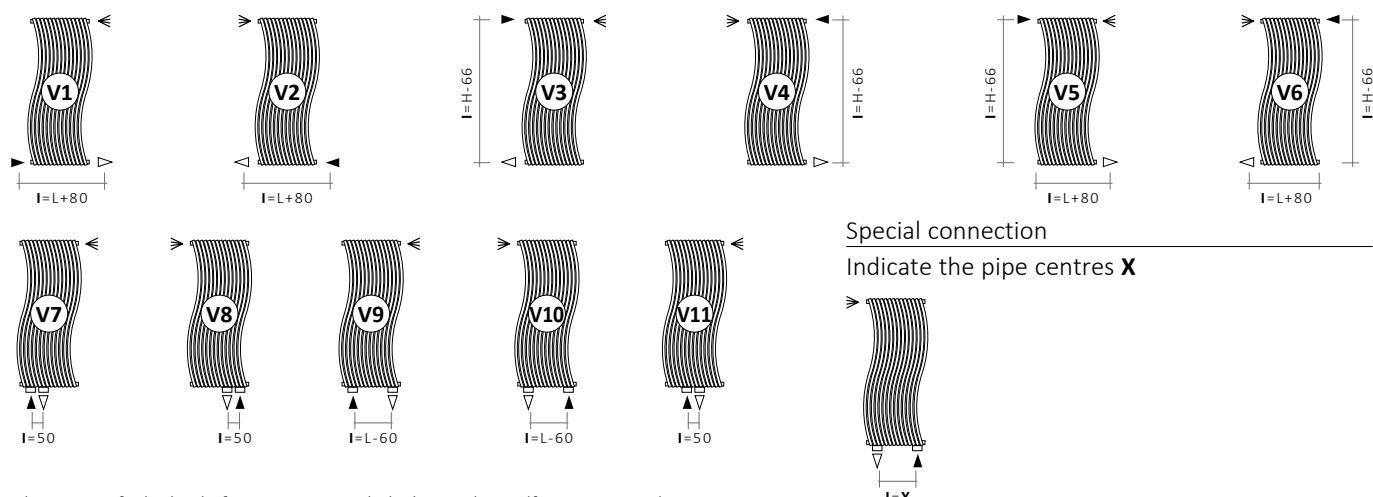
Art. Nr. 5103000000044

Accessories and spare parts - see from page 328.





## Standard Connexions



## Special connection

Indicate the pipe centres X

Always specify the kind of connection needed when ordering (from V1 to V11).

Legend = ► In ▷ Out ◄ Airvent H Height I Pipe Centres L Width □ Connection

## LOLA® VERTICAL

Variant	Height H [mm]	Width L [mm]	Pipe Centres I [mm]	POLISHED		DECOR		Dry Weight [Kg]	Surface [m <sup>2</sup> ]	Water Content [lt]	Thermal output Watt		Exponent n
				Art. Nr.	Art. Nr.	Δt = 50°C					Δt = 30°C		
V1	1516	450	530	3551740130011	3551740130101	15,5	1,45	4,1	507	264	1,2746		
				3551740130012	3551740130102	19,0	1,84	5,1	645	334	1,2878		
V2	1516	450	530	3551740000035	3551740000075	15,5	1,45	4,1	507	264	1,2746		
				3551740000009	3551740000034	19,0	1,84	5,1	645	334	1,2878		
V3	1516	450	1450	3551740000052	3551740000003	15,5	1,45	4,1	507	264	1,2746		
				3551740000049	3551740000031	19,0	1,84	5,1	645	334	1,2878		
V4	1516	450	1450	3551740000018	3551740000043	15,5	1,45	4,1	507	264	1,2746		
				3551740000044	3551740000032	19,0	1,84	5,1	645	334	1,2878		
V5	1516	450	1450	3551740000100	3551740000079	15,5	1,45	4,1	507	264	1,2746		
				3551740000056	3551740000081	19,0	1,84	5,1	645	334	1,2878		
V6	1516	450	1450	3551740000101	3551740000110	15,5	1,45	4,1	507	264	1,2746		
				3551740000109	3551740000111	19,0	1,84	5,1	645	334	1,2878		
V7	1516	450	50	3551740000024	3551740000076	15,5	1,45	4,1	507	264	1,2746		
				3551740000097	3551740000071	19,0	1,84	5,1	645	334	1,2878		
V8	1516	450	50	3551740000029	3551740000045	15,5	1,45	4,1	507	264	1,2746		
				3551740000021	3551740000084	19,0	1,84	5,1	645	334	1,2878		
V9	1516	450	390	3551740000020	3551740000046	15,5	1,45	4,1	507	264	1,2746		
				3551740000033	3551740000028	19,0	1,84	5,1	645	334	1,2878		
V10	1516	450	390	3551740000015	3551740000065	15,5	1,45	4,1	507	264	1,2746		
				3551740000010	3551740000060	19,0	1,84	5,1	645	334	1,2878		
V11	1516	450	50	3551740000025	3551740000026	15,5	1,45	4,1	507	264	1,2746		
				3551740000041	3551740000086	19,0	1,84	5,1	645	334	1,2878		

For output at different Δt than 50°C, please refer to the following formula: desired output = output at Δt 50°C x (desired Δt/50)<sup>n</sup>



# BLOW®

POLISHED STAINLESS STEEL

design **Jean-Marie Massaud**



PAGE 28

**EUROPEAN  
WARRANTY**

**MATERIAL:**

Polished stainless steel.

**FIXING KIT:**

Brackets, hexagonal tool, plugs and screws for mounting suitable for use on compact or hollow brick, user notice.

The kit is certified from TÜV in compliance with VDI 6036-class 4.

**VALVE KIT INCLUDES:**

Valves with thermostatic head

Fittings for copper pipe (Ø 12/14/15)

Fittings for multilayer pipe (Ø 16)

**PACKAGING:**

The radiator is protected by a wooden crate and carton.

User notice included.

**FEATURES:**

It is totally made in stainless steel with an unalterable finishing guaranteed during the years.

Thermal outputs certified in accredited laboratories in compliance with European norm EN442.

## PRODUCT CERTIFICATES



Pression maximale de service: 5 bar

Température maximale de service: 110° C

Available for central heating systems

## AWARD



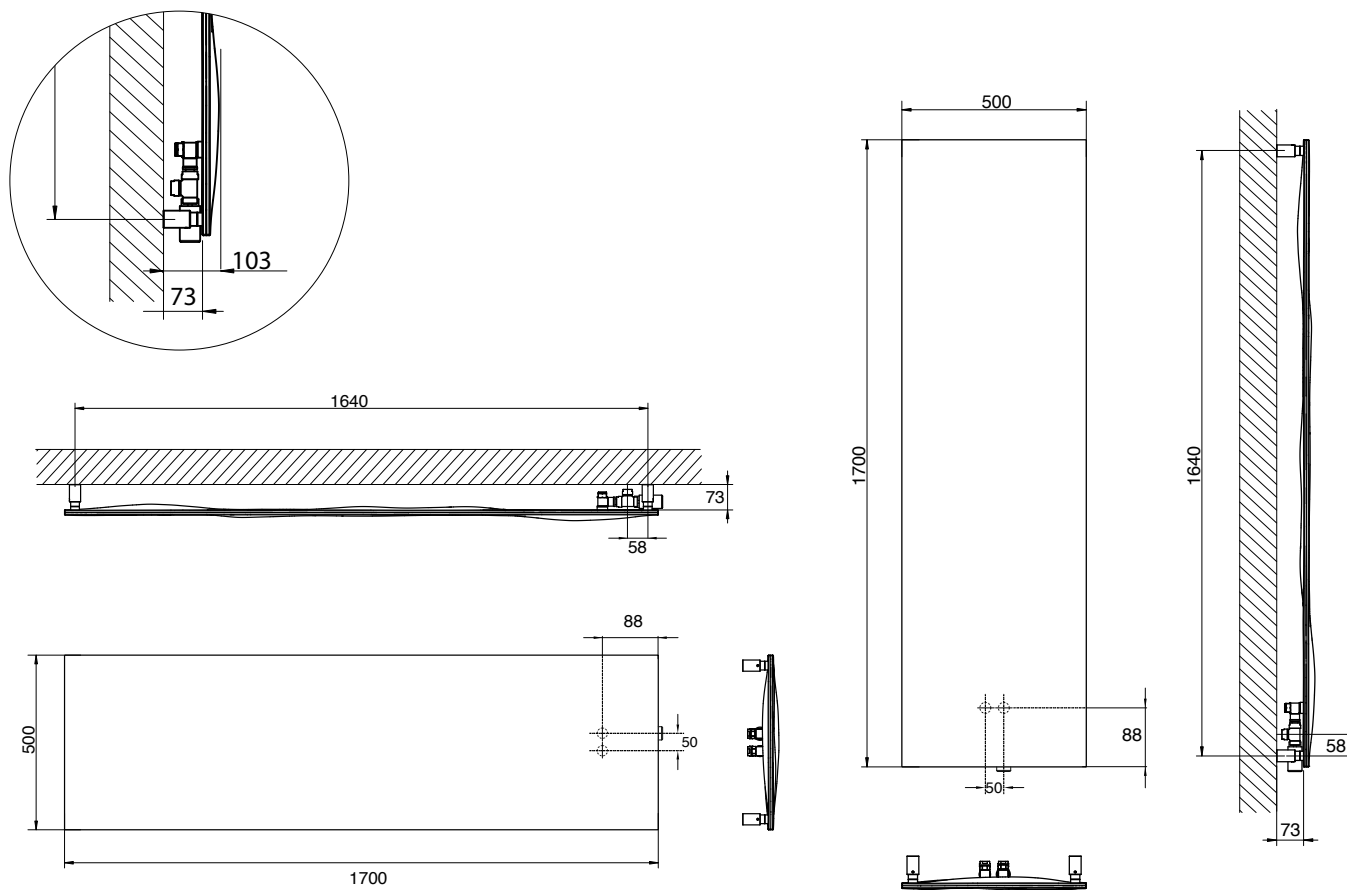
**reddot design award**  
best of the best 2012



German  
Design Award

NOMINEE 2014





INOX STYLE

EXTRASLIM®

NEO DESIGN

CLASSIC LINE

GRAPHIC PICTURE

VALVES AND ACCESSORIES  
TECHNICAL SUPPORT**BLOW®** POLISHED STAINLESS STEEL

Art. Nr.	Height	Width	Pipe Centres	Dry Weight	Surface	Water Content	Thermal output Watt		Exponent n
	H [mm]	L [mm]	I [mm]	[Kg]	[m <sup>2</sup> ]	[lt]	$\Delta t = 50^{\circ}\text{C}$	$\Delta t = 30^{\circ}\text{C}$	
3540640130001	<b>1700</b>	500	50	18,7	1,7	1,3	700	374	1,2247
3540640130001	<b>500</b>	1700	50						

Include valve and thermostatic head, in accordance with EN215:2007

For output at different  $\Delta t$  than  $50^{\circ}\text{C}$ , please refer to the following formula: desired output = output at  $\Delta t 50^{\circ}\text{C}$  x (desired  $\Delta t/50$ )<sup>n</sup>



**RIO®**

SATIN STAINLESS STEEL

design **Paola Pinnavaia**



PAGE 34

**15 YEARS  
WARRANTY**

**MATERIAL:**

Horizontal collectors in satin stainless steel with  $\varnothing$  of 38 mm.  
Vertical heating elements in satin stainless steel with  $\varnothing$  of 25 mm.

**FIXING KIT:**

Brackets, airvent, hexagonal tool, plugs and screws for mounting suitable for use on compact or hollow brick, user notice.  
The kit is certified from TÜV in compliance with VDI 6036-class 4.

**PACKAGING:**

The radiator is protected by a film in polyethylene and with a carton box. User notice included.

**FEATURES:**

It is totally made in stainless steel with an unalterable finishing guaranteed during the years.  
Thermal outputs certified in accredited laboratories in compliance with European norm EN442.

**PRODUCT CERTIFICATES**



Pression maximale de service: 8 bar

Température maximale de service: 110° C

Available for central heating systems

Connexions: n° 2 x 1/2" gaz - n° 1 x 1/8" gaz

AWARD

**D** COME DESIGN

**ACCESSORIES**



**Elegant corner dx with thermostatic head satin valve kit**

Copper connection  $\varnothing$  12/14/15  
Art. Nr. 5991990320204

Multilayer connection  $\varnothing$  16  
Art. Nr. 5991990320202



**Elegant manual reverse satin valve**

Copper connection  $\varnothing$  12/14/15  
Art. Nr. 5991990320207

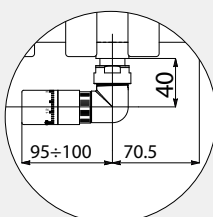
Multilayer connection  $\varnothing$  16  
Art. Nr. 5991990320206



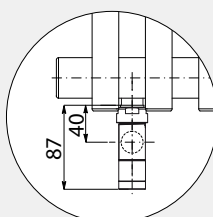
**Elegant manual square satin valve**

Copper connection  $\varnothing$  12/14/15  
Art. Nr. 5991990320209

Multilayer connection  $\varnothing$  16  
Art. Nr. 5991990320208



Measures for valves type Cordivari Elegant Corner with thermostatic head



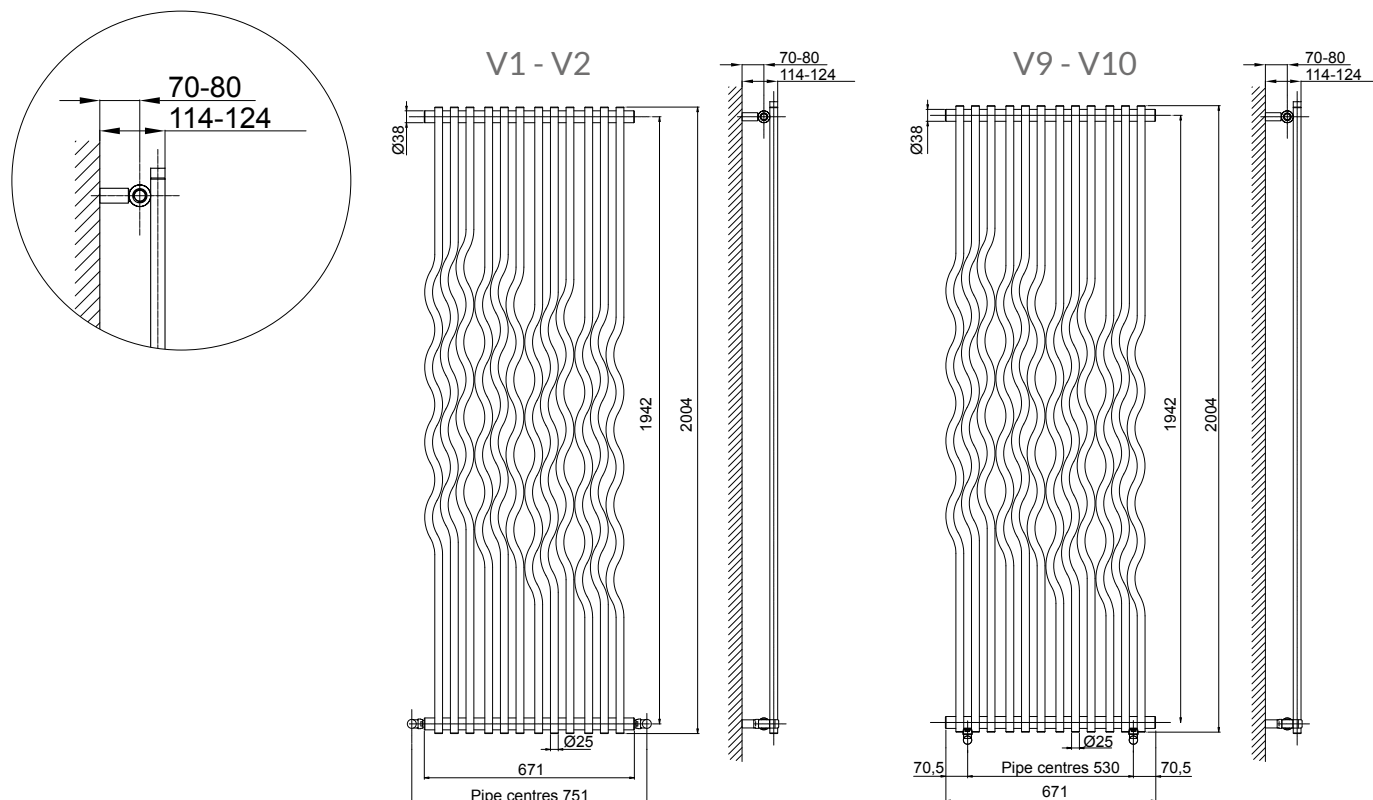
Measures for Elegant reverse manual valve



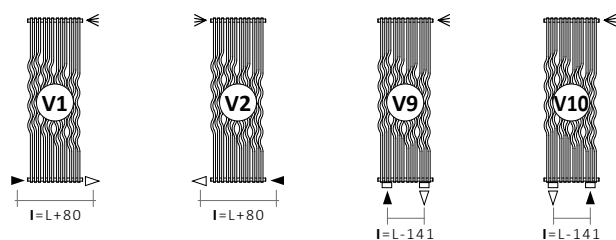
**Sleeving kit for satin valves**

Art. Nr. 5103000000045

Accessories and spare parts - see from page 328.



## Standard Connexions



Always specify the kind of connection needed when ordering (V1 - V2 and V9 - V10).

Legend = ► In ▷ Out ◄ Airvent H Height I Pipe Centres L Width □ Connection

## RIO® SATIN STAINLESS STEEL

Art. Nr.	Variant	Height		Width		Pipe Centres	Dry Weight	Surface	Thermal output Watt		Exponent n
		H [mm]	L [mm]	L [mm]	I [mm]				$\Delta t = 50^{\circ}\text{C}$	$\Delta t = 30^{\circ}\text{C}$	
3620750130001	V1	<b>2000</b>	671	751	26	2,38	16,6	863	456	1,2476	
3620750000007	V2	<b>2000</b>	671	751	26	2,38	16,6	863	456	1,2476	
3620750000003	V9	<b>2000</b>	671	530	26	2,38	16,6	863	456	1,2476	
3620750000002	V10	<b>2000</b>	671	530	26	2,38	16,6	863	456	1,2476	

Pipe Centres refers to the radiator valves Elegant Cordivari.

For output at different  $\Delta t$  than  $50^{\circ}\text{C}$ , please refer to the following formula: desired output = output at  $\Delta t 50^{\circ}\text{C}$  x (desired  $\Delta t/50$ )<sup>n</sup>



**RIO®**

POLISHED STAINLESS STEEL

design **Paola Pinnavaia**



PAGE 36

**15 YEARS  
WARRANTY**

**MATERIAL:**

Horizontal collectors in polished stainless steel with  $\varnothing$  of 38 mm.  
Vertical heating elements in polished stainless steel with  $\varnothing$  of 25 mm.

**FIXING KIT:**

Brackets, airvent, hexagonal tool, plugs and screws for mounting suitable for use on compact or hollow brick, user notice.  
The kit is certified from TÜV in compliance with VDI 6036-class 4.

**PACKAGING:**

The radiator is protected by a film in polyethylene and with a carton box. User notice included.

**FEATURES:**

It is totally made in stainless steel with an unalterable finishing guaranteed during the years.  
Thermal outputs certified in accredited laboratories in compliance with European norm EN442.

**PRODUCT CERTIFICATES**



Pression maximale de service: 8 bar

Température maximale de service: 110° C

Available for central heating systems

Connexions: n° 2 x 1/2" gaz - n° 1 x 1/8" gaz

**AWARD**

**D COME DESIGN**

**ACCESSORIES**



**Elegant corner dx with thermostatic head polished valve kit**

Copper connection  $\varnothing$  12/14/15  
Art. Nr. 5991990301079

Multilayer connection  $\varnothing$  16  
Art. Nr. 5991990301077



**Elegant reverse manual polished valve kit**

Copper connection  $\varnothing$  12/14/15  
Art. Nr. 5991990301082

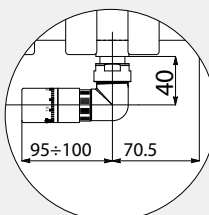
Multilayer connection  $\varnothing$  16  
Art. Nr. 5991990301081



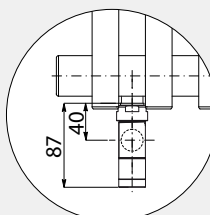
**Elegant square manual polished valve kit**

Copper connection  $\varnothing$  12/14/15  
Art. Nr. 5991990301084

Multilayer connection  $\varnothing$  16  
Art. Nr. 5991990301083



Measures for valves type Cordivari Elegant Corner with thermostatic head



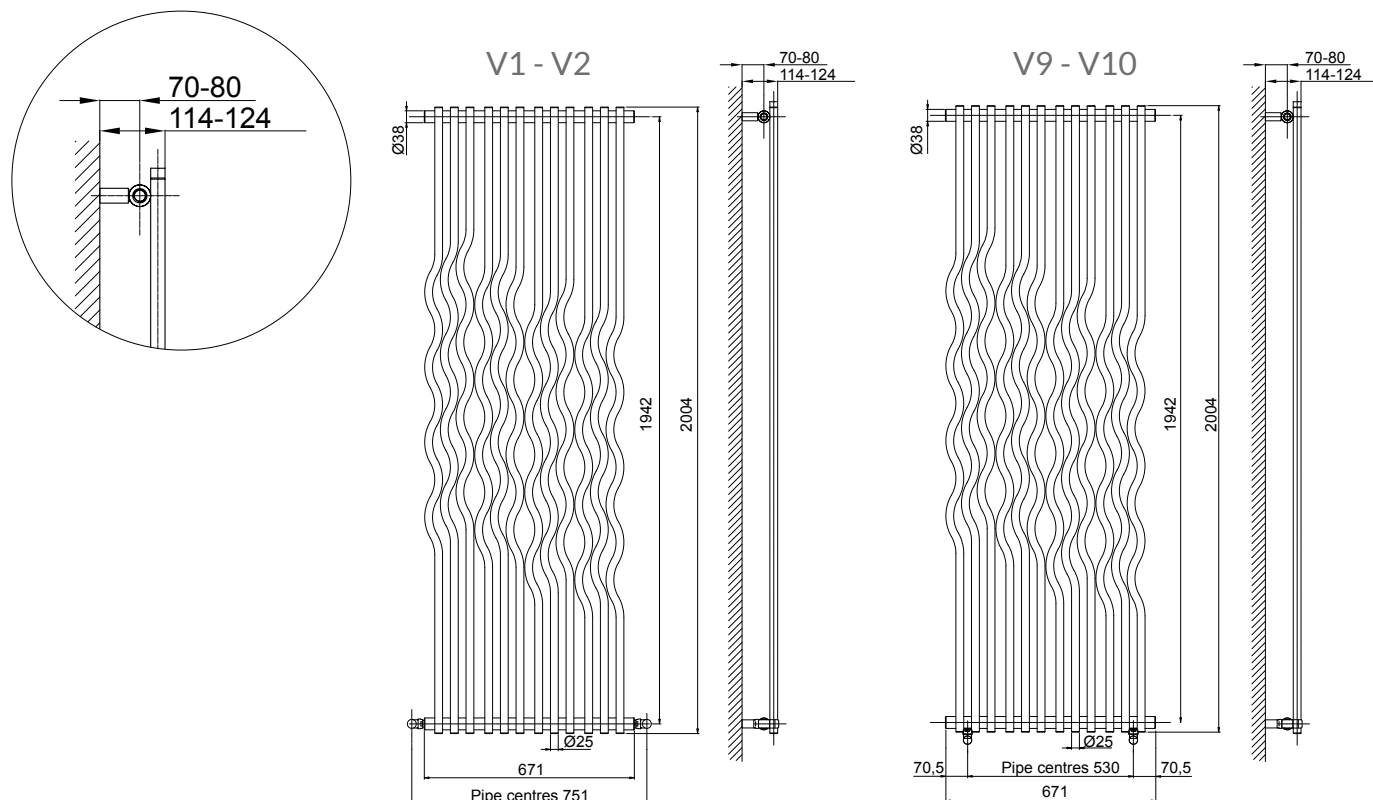
Measures for Elegant reverse manual valve



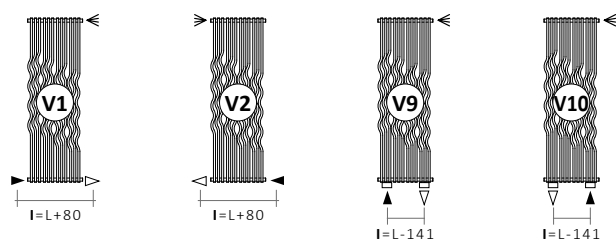
**Sleeving kit for polished valves**

Art. Nr. 5103000000044

Accessories and spare parts - see from page 328.



## Standard Connexions



Always specify the kind of connection needed when ordering (V1 - V2 and V9 - V10).

Legend = ► In ▷ Out ◄ Airvent H Height I Pipe Centres L Width □ Connection

## RIO® POLISHED STAINLESS STEEL

Art. Nr.	Variant	Height		Width		Pipe Centres	Dry Weight	Surface	Thermal output Watt		Exponent n
		H [mm]	L [mm]	L [mm]	I [mm]				[m <sup>2</sup> ]	[lt]	
3620750400001	V1	<b>2000</b>	671	751	26	2,38	16,6	807	424	1,2581	
3620750000001	V2	<b>2000</b>	671	751	26	2,38	16,6	807	424	1,2581	
3620750000004	V9	<b>2000</b>	671	530	26	2,38	16,6	807	424	1,2581	
3620750000005	V10	<b>2000</b>	671	530	26	2,38	16,6	807	424	1,2581	

Pipe Centres refers to the radiator valves Elegant Cordivari.

For output at different Δt than 50°C, please refer to the following formula: desired output = output at Δt 50°C x (desired Δt/50)<sup>n</sup>



# STRADIVARI HORIZONTAL

SATIN STAINLESS STEEL

design **Luca Scacchetti**



PAGE 40

## 15 YEARS WARRANTY

### MATERIAL:

Vertical collectors in satin stainless steel.  
Horizontal heating elements in satin stainless steel.

### FIXING KIT:

Brackets, airvent, blind plug, hexagonal tool, plugs and screws for mounting suitable for use on compact or hollow brick, user notice.

### PACKAGING:

The radiator is protected by a film in polyethylene and with a carton box. User notice included.

### FEATURES:

It is totally made in stainless steel with an unalterable finishing. Brightness guaranteed during the years. Thermal outputs certified in accredited laboratories in compliance with European norm EN442.

## PRODUCT CERTIFICATES



Pression maximale de service: 8 bar

Température maximale de service: 110° C

Available for central heating systems

Connexions: n° 4 x 1/2" gaz

## AWARD

### CASANOVA ROOM NUMBER 3

## ACCESSORIES



**Elegant manual square satin valve**

Copper connection Ø 12/14/15  
Art. Nr. 5991990320209

Multilayer connection Ø 16  
Art. Nr. 5991990320208



**Elegant square with thermostatic head satin valve**

Copper connection Ø 12/14/15  
Art. Nr. 5991990320197

Multilayer connection Ø 16  
Art. Nr. 5991990320196



**Elegant corner dx with thermostatic head satin valve kit**

Copper connection Ø 12/14/15  
Art. Nr. 5991990320204

Multilayer connection Ø 16  
Art. Nr. 5991990320202



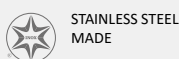
**Straight hanger satin stainless steel (L= 420 mm)**

Art. Nr. 5991990010159



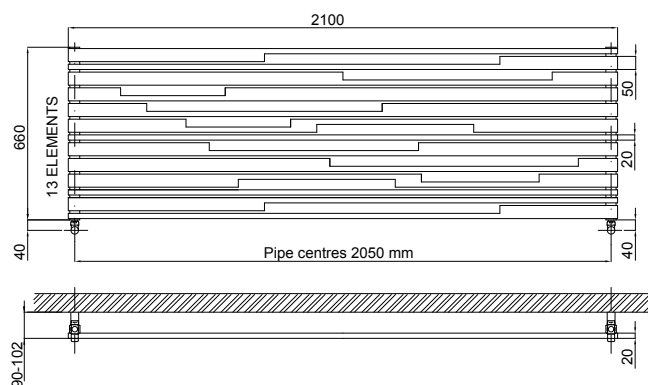
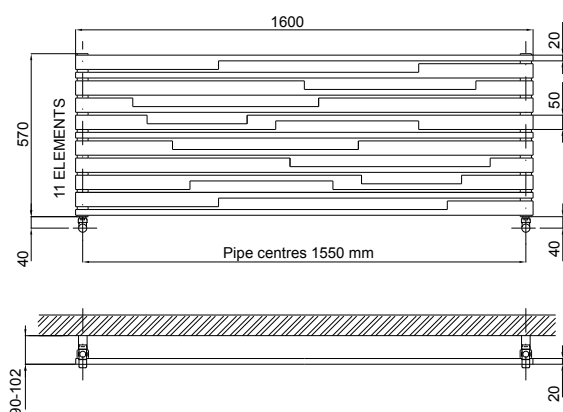
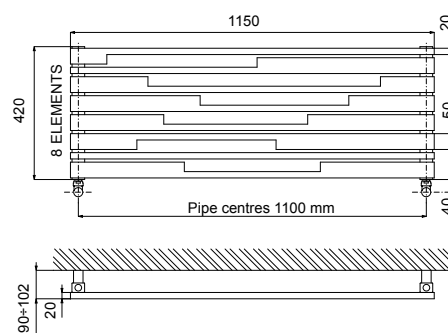
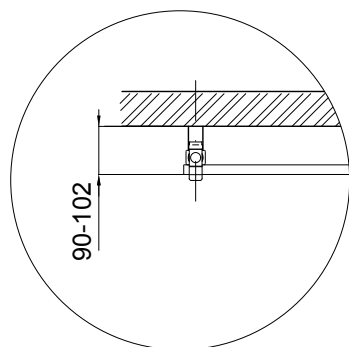
**Sleeving kit for satin valves**

Art. Nr. 5103000000045



Accessories and spare parts - see from page 328.





## STRADIVARI HORIZONTAL - SATIN STAINLESS STEEL

Art. Nr.	Height	Width	Pipe Centres	Dry Weight	Surface	Water Content	Thermal output Watt		Exponent n
	H [mm]	L [mm]	l [mm]	[Kg]	[m <sup>2</sup> ]	[lt]	$\Delta t = 50^{\circ}\text{C}$	$\Delta t = 30^{\circ}\text{C}$	
3620760450006	<b>420</b>	1150	1100	14	1,80	6	347	187	1,2100
3620760450003	<b>570</b>	1600	1550	25	2,40	9,3	656	355	1,2000
3620760450004	<b>660</b>	2100	2050	37	3,14	15	997	540	1,2000

For output at different  $\Delta t$  than  $50^{\circ}\text{C}$ , please refer to the following formula: desired output = output at  $\Delta t 50^{\circ}\text{C}$  x (desired  $\Delta t/50$ )<sup>n</sup>



# STRADIVARI VERTICAL

SATIN STAINLESS STEEL

design **Luca Scacchetti**



PAGE 38

## 15 YEARS WARRANTY

### MATERIAL:

Horizontal collectors in satin stainless steel.  
Vertical heating elements in satin stainless steel.

### FIXING KIT:

Brackets, airvent, blind plug, hexagonal tool, plugs and screws for mounting suitable for use on compact or hollow brick, user notice.

### PACKAGING:

The radiator is protected by a film in polyethylene and with a carton box. User notice included.

### FEATURES:

It is totally made in stainless steel with an unalterable finishing. Brightness guaranteed during the years. Thermal outputs certified in accredited laboratories in compliance with European norm EN442.

## PRODUCT CERTIFICATES



Pression maximale de service: 8 bar

Température maximale de service: 110° C

Available for central heating systems

Connexions: n° 4 x 1/2" gaz

## AWARD

### CASANOVA ROOM NUMBER 3

## ACCESSORIES



### Elegant manual square satin valve

Copper connection Ø 12/14/15  
Art. Nr. 5991990320209

Multilayer connection Ø 16  
Art. Nr. 5991990320208



### Elegant corner sx with thermostatic head satin valve kit

Copper connection Ø 12/14/15  
Art. Nr. 5991990320205

Multilayer connection Ø 16  
Art. Nr. 5991990320203



### Elegant corner dx with thermostatic head satin valve kit

Copper connection Ø 12/14/15  
Art. Nr. 5991990320204

Multilayer connection Ø 16  
Art. Nr. 5991990320202



### Elegant square with thermostatic head satin valve

Copper connection Ø 12/14/15  
Art. Nr. 5991990320197

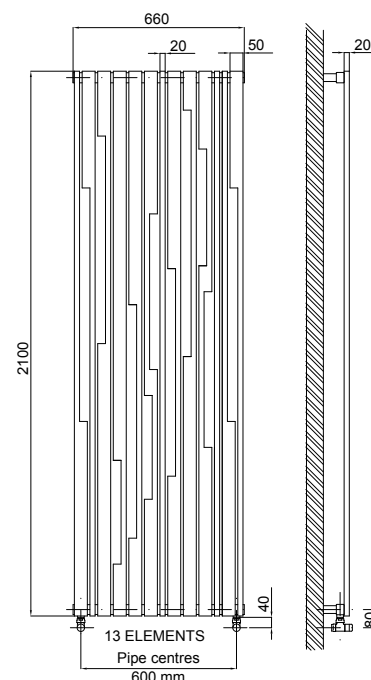
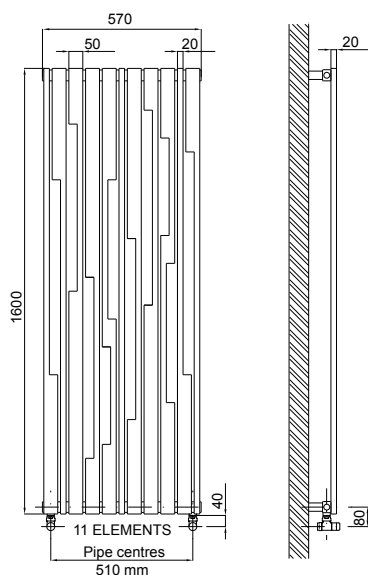
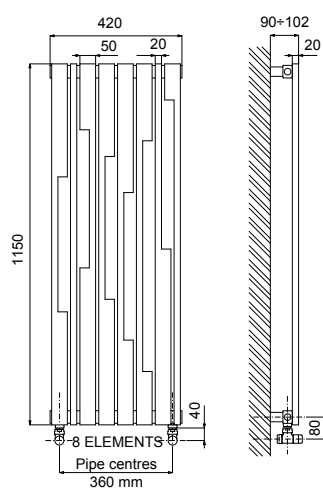
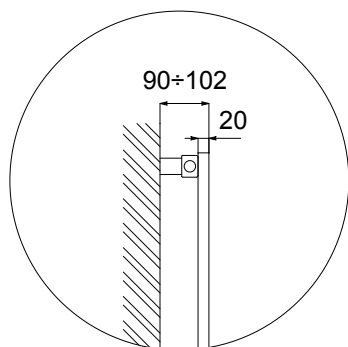
Multilayer connection Ø 16  
Art. Nr. 5991990320196



### Sleeving kit for satin valves

Art. Nr. 5103000000045

Accessories and spare parts - see from page 328.



## STRADIVARI VERTICAL - SATIN STAINLESS STEEL

Art. Nr.	Height	Width	Pipe Centres	Dry Weight	Surface	Water Content	Thermal output Watt		Exponent n
	H [mm]	L [mm]	I [mm]	[Kg]	[m <sup>2</sup> ]	[lt]	$\Delta t = 50^{\circ}\text{C}$	$\Delta t = 30^{\circ}\text{C}$	
3620760450005	<b>1150</b>	420	360	14	1,80	6	378	196	1,2900
3620760450001	<b>1600</b>	570	510	25	2,40	9,3	713	365	1,3103
3620760450002	<b>2100</b>	660	600	37	3,14	15	1084	558	1,3000

For output at different  $\Delta t$  than  $50^{\circ}\text{C}$ , please refer to the following formula: desired output = output at  $\Delta t 50^{\circ}\text{C}$  x (desired  $\Delta t/50$ )<sup>n</sup>



# KELLY

POLISHED STAINLESS STEEL



PAGE 44

## 15 YEARS WARRANTY

### MATERIAL:

Vertical collectors in polished stainless steel with  $\varnothing$  of 38 mm.  
Horizontal heating elements in polished stainless steel with  $\varnothing$  of 18 mm.

### FIXING KIT:

Brackets, airvent, hexagonal tool, plugs and screws for mounting suitable for use on compact or hollow brick, user notice.  
The kit is certified from TÜV in compliance with VDI 6036-class 4.

### PACKAGING:

The radiator is protected by a film in polyethylene and with a carton box.  
User notice included.

### FEATURES:

It is totally made in stainless steel with an unalterable finishing guaranteed during the years.  
Thermal outputs certified in accredited laboratories in compliance with European norm EN442.

## PRODUCT CERTIFICATES



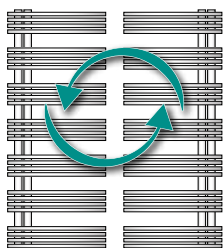
Pression maximale de service: 8 bar

Température maximale de service: 110° C

Available for central heating systems

Connexions: n° 4 x 1/2" gaz

## REVERSIBLE



## ACCESSORIES



**Elegant square polished valve kit pipe centres 50 mm with thermostatic head - right**

Copper connection  $\varnothing$  12/14/15  
Art. Nr. 5991990301076

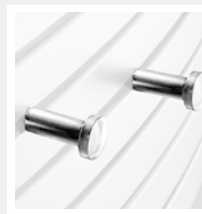
Multilayer connection  $\varnothing$  16  
Art. Nr. 5991990301075



**Elegant square manual polished valve kit**

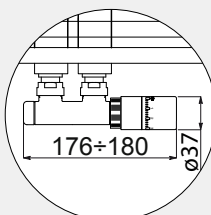
Copper connection  $\varnothing$  12/14/15  
Art. Nr. 5991990301084

Multilayer connection  $\varnothing$  16  
Art. Nr. 5991990301083



**Kit 2 hooks polished stainless steel**

Art. Nr. 5991990010223



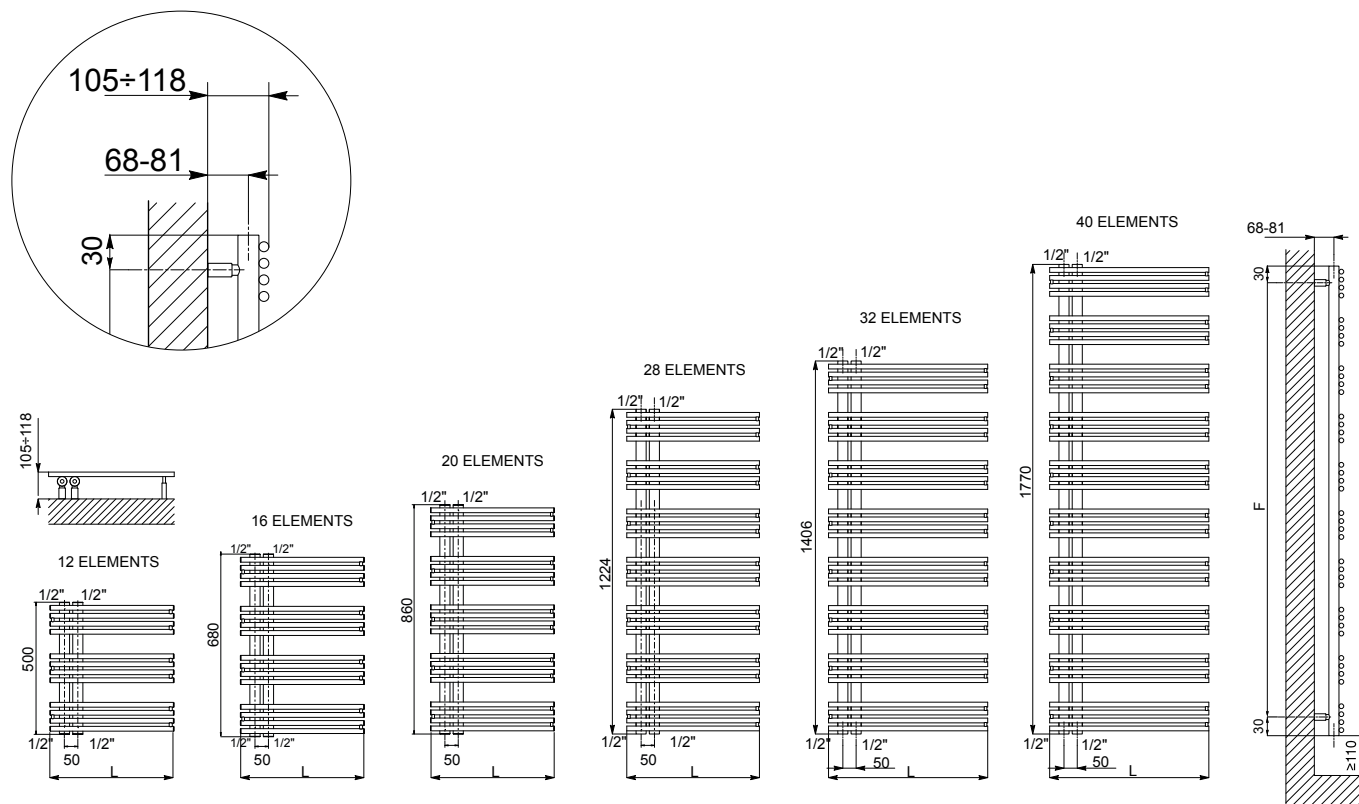
Measures for valves type Cordivari Elegant Square with thermostatic head and pipe centres 50 mm



**Sleeving kit for Pipe Centres 50 mm - valves polished**

Art. Nr. 5103000000057

Accessories and spare parts - see from page 328.

**KELLY** POLISHED STAINLESS STEEL

Art. Nr.	Height	Width	Pipe Centres	Fixing kit centres	Dry Weight	Surface	Water Content	Thermal output Watt		Exponent n
	H [mm]	L [mm]	I [mm]	F [mm]	[Kg]	[m <sup>2</sup> ]	[lt]	$\Delta t = 50^{\circ}\text{C}$	$\Delta t = 30^{\circ}\text{C}$	
3551780400104	<b>500</b>	400	50	436	3,8	0,39	1,87	166	90	1,1996
3551780400099		500	50	436	4,4	0,45	2,10	208	113	1,1996
3551780400105	<b>680</b>	400	50	618	5,01	0,52	2,52	214	116	1,1996
3551780400107		500	50	618	5,81	0,61	2,83	259	139	1,2117
3551780400106	<b>860</b>	400	50	800	6,3	0,65	3,18	283	152	1,2118
3551780400100		500	50	800	7,3	0,77	3,60	323	168	1,2771
3551780400101	<b>1224</b>	500	50	1164	10,27	1,08	5,03	434	225	1,2881
3551780400111		600	50	1164	11,66	1,24	5,56	504	261	1,2851
3551780400102	<b>1406</b>	500	50	1346	11,76	1,24	5,76	489	256	1,2692
3551780400112		600	50	1346	13,3	1,42	6,30	584	303	1,2862
3551780400103	<b>1770</b>	500	50	1710	14,75	1,55	7,20	624	321	1,2990
3551780400113		600	50	1710	16,7	1,78	7,90	726	377	1,2832

For output at different  $\Delta t$  than  $50^{\circ}\text{C}$ , please refer to the following formula: desired output = output at  $\Delta t 50^{\circ}\text{C}$  x (desired  $\Delta t/50$ )<sup>n</sup>



# KELLY ELECTRIC

POLISHED STAINLESS STEEL



EUROPEAN WARRANTY

### MATERIAL:

Vertical collectors in polished stainless steel with  $\varnothing$  of 38 mm.  
Horizontal heating elements in polished stainless steel with  $\varnothing$  of 18 mm.  
Glycolate water.

### FIXING KIT:

Brackets, hexagonal tool, plugs and screws for mounting suitable for use on compact or hollow brick, user notice.  
The kit is certified from TÜV in compliance with VDI 6036-class 4.

### PACKAGING:

The radiator is protected by a film in polyethylene and with a carton box. User notice included.

### FEATURES:

It is totally made in stainless steel with an unalterable finishing guaranteed during the years.

## PRODUCT CERTIFICATES



Electrical resistors: CLASS 1

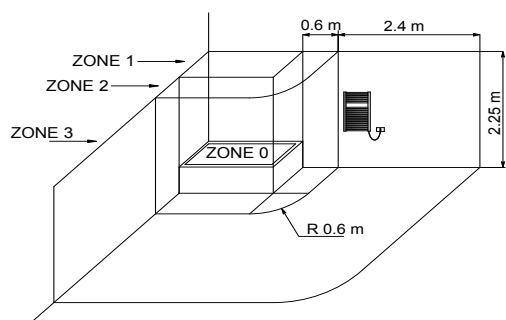
Minimum class protection: IP 44

Seasonal energy efficiency  $\eta_s$ :  $\geq 38\%$

Wire Length: 1200 mm with Schuko plug

Electrical only: With digital thermostat and remote control

## HOW TO PLACE ELECTRIC RADIATORS



The national rules on installing electrical equipment in the bathroom must be scrupulously respected. The electric radiators must be always installed outside zone 1 and 2. In particular the electric switch and control elements must be mandatorily located in zone 3, in order that no electrical control center is accessible to a anyone using the shower or bath.



All Cordivari electric radiators are in line with the new European regulation UE 2015/1188. The new regulation imposes a seasonal energy efficiency of electrical appliances for ambient heating with a nominal thermal output over 250 W and not less than 38%.

The seasonal energy efficiency of ambient heating ( $\eta_s$ ) is expressed with the ratio between the demand of ambient heating supplied by a heating appliance and the annual energy consumption required to meet this demand, expressed as percentage. The Cordivari ErP is in line with the new Ecodesign directives, which are characterized by a great efficiency combined with the maximum attention to energy saving. In particular the radiators are at least equipped with: electronic temperature control; open window sensor; weekly program timer.

Thanks to the new fully programmable digital thermostats and sensors present on the radiators, now the new Cordivari ErP electric radiators, heat, efficiency and energy saving are the best allies of your comfort.

## INCLUDED



Remote control for top digital thermostat

### MAIN FEATURES AND FUNCTIONS:

CRONO: function of chrono-thermostat with daily or weekly programming with two temperature levels (Comfort/Eco)

COMFORT: Possibility of setting your own desired temperature for time slot for higher comfort

ECO: Possibility of keeping the temperature constant with lower power consumption. Useful for energy saving when the room is not occupied.

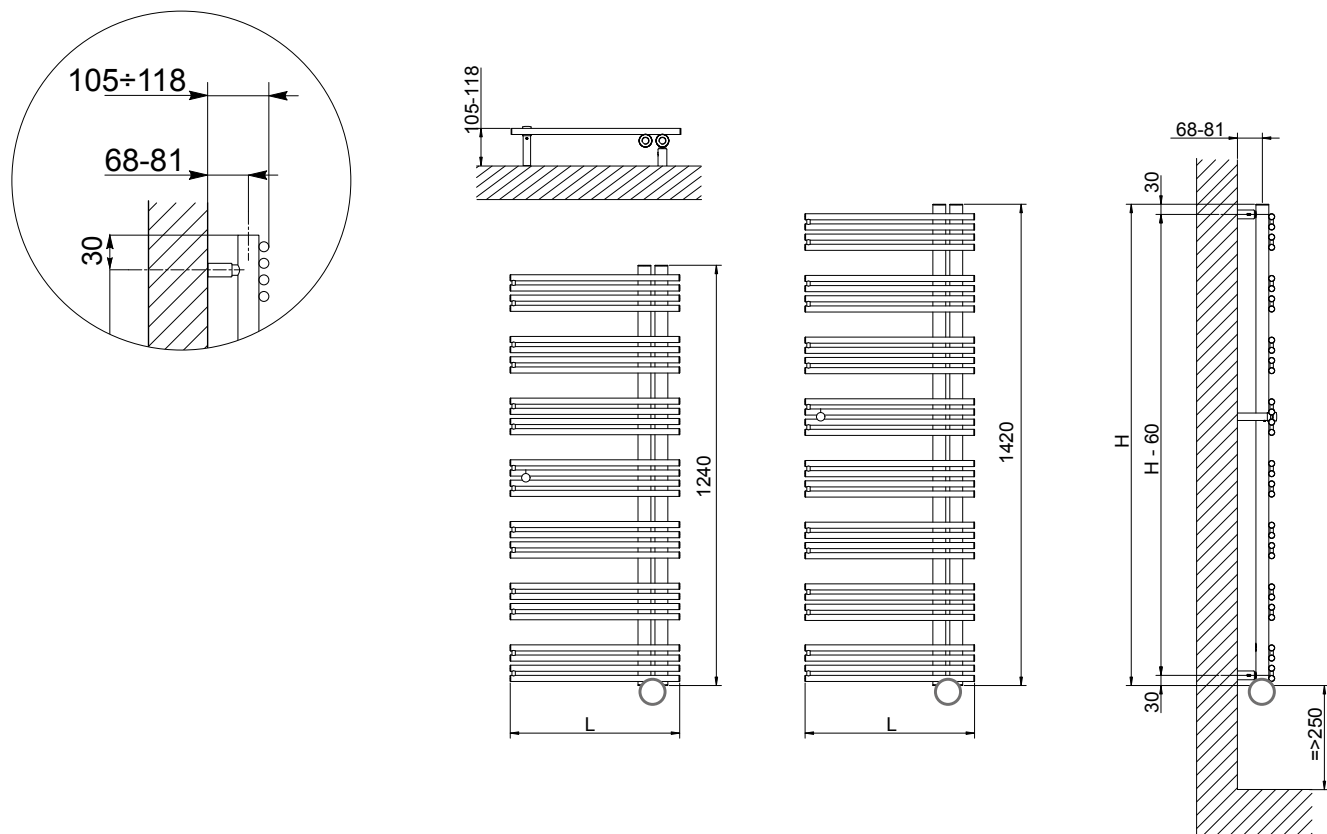
ANTI-FREEZE: Useful if the room is not used for long periods

TIMER/FORCED MARCH: Useful to heat rapidly the room and dry towels thanks to 2h of forced march at max. Power.

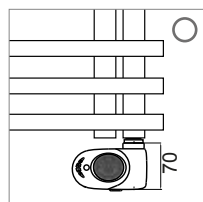
CHILD SAFETY LOCK: special purpose lock of the display panel so to avoid any accidental alteration

REMOTE CONTROL (optional): The digital thermostat is equipped with an infrared remote control useful to manage all the aforementioned functions.

Accessories and spare parts - see from page 328.



### TOP DIGITAL THERMOSTAT DX

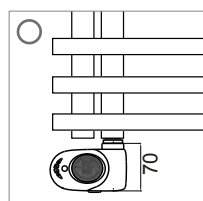


The general footprint has to be calculated considering the thermostat height

### KELLY ELECTRIC - POLISHED STAINLESS STEEL

Art. Nr.	Height	Width	Thermal output	Weight
	H [mm]	L [mm]	Watt	Kg
KIT- Top digital thermostat <b>DX (right)</b>				
3581780500001	<b>1240</b>	500	500	15
3581780500002	<b>1420</b>	500	600	17

### TOP DIGITAL THERMOSTAT SX



The general footprint has to be calculated considering the thermostat height

### KELLY ELECTRIC - POLISHED STAINLESS STEEL

Art. Nr.	Height	Width	Thermal output	Weight
	H [mm]	L [mm]	Watt	Kg
KIT- Top digital thermostat <b>SX (left)</b>				
3581780500013	<b>1240</b>	500	500	15
3581780500014	<b>1420</b>	500	600	17



# BABYLA

SATIN STAINLESS STEEL

design **Mariano Moroni**



PAGE 48

**15 YEARS  
WARRANTY**

#### MATERIAL:

Vertical collectors in satin stainless steel with  $\varnothing$  of 38 mm.  
Horizontal heating elements in satin stainless steel 30x10 mm.

#### FIXING KIT:

Brackets, airvent, hexagonal tool, plugs and screws for mounting suitable for use on compact or hollow brick, user notice.  
The kit is certified from TÜV in compliance with VDI 6036-class 4.

#### PACKAGING:

The radiator is protected by a film in polyethylene and with a carton box.  
User notice included.

#### FEATURES:

It is totally made in stainless steel with an unalterable finishing guaranteed during the years.  
Thermal outputs certified in accredited laboratories in compliance with European norm EN442.

## PRODUCT CERTIFICATES



Pression maximale de service: 8 bar

Température maximale de service: 110° C

Available for central heating systems

Connexions: n° 2 x 1/2" gaz - n° 1 x 1/2" gaz

## KIT ELITE SATIN STAINLESS STEEL



### KIT ELITE satin

(only for Babyla H 1500)

Art. Nr.  
510200000104

N° 1 mirror

N° 1 shelf for books

(\*) Elegant square  
satin valve kit pipe  
centres 50 mm  
with thermostatic  
head

N° 2 hooks for  
hanging clothes  
satin stainless steel  
 $\varnothing$  20 mm

N° 3 shelves  
(2 on the left,  
1 on the right)

N° 1 antenna for  
hanging clothes

(\*) Either when buying the "Elite kit" or the single valve, always specify in the order, the connection needed: copper or multilayer. See page 317.

## ACCESSORIES



**Elegant square satin valve  
kit pipe centres 50 mm  
with thermostatic head  
- right**

Copper connection  $\varnothing$  12/14/15  
Art. Nr. 5991990320201

Multilayer connection  $\varnothing$  16  
Art. Nr. 5991990320200



**Elegant manual square  
satin valve**

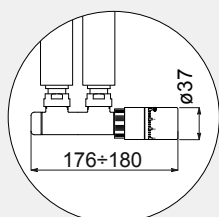
Copper connection  $\varnothing$  12/14/15  
Art. Nr. 5991990320209

Multilayer connection  $\varnothing$  16  
Art. Nr. 5991990320208



**Kit 2 hooks satin stain-  
less steel**

Art. Nr. 5991990010224



Measures for valves type  
Cordivari Elegant Square  
with thermostatic head and  
pipe centres 50 mm

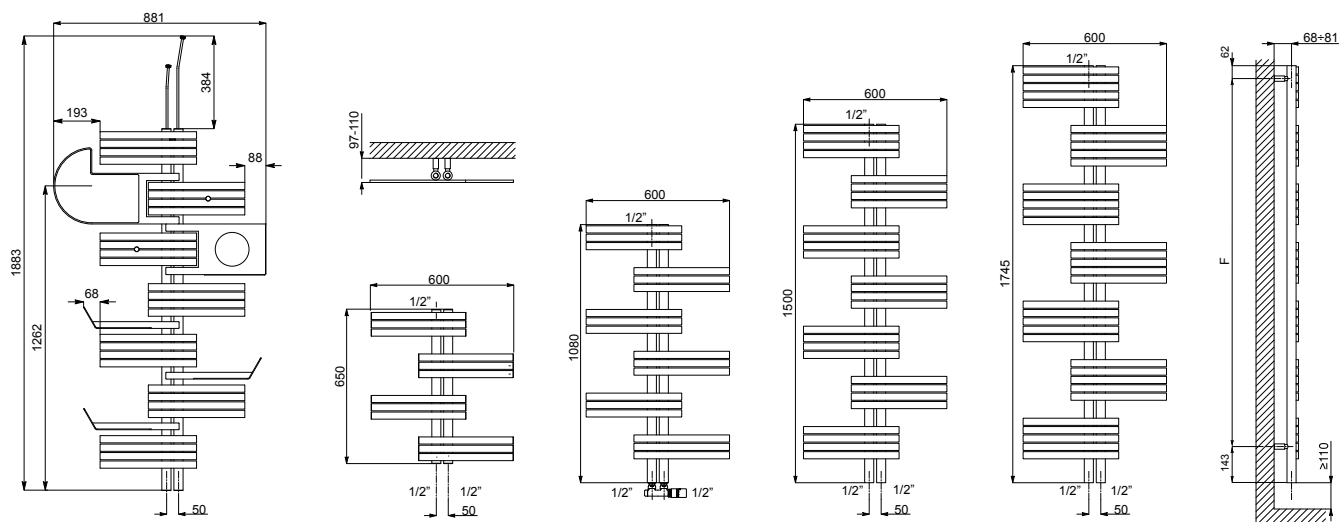
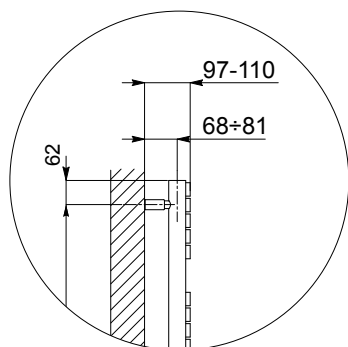


**Sleeving kit for Pipe  
Centres 50 mm - valves  
satin**

Art. Nr. 5103000000058

Accessories and spare parts - see from page 328.





Dimensions and volume of the satin elite kit (only for the 1500 mm height version).



## BABYLA SATIN STAINLESS STEEL

Art. Nr.	Height		Pipe Centres	Fixing kit centres	Dry Weight	Surface	Water Content	Thermal output Watt		Exponent n
	H [mm]	L [mm]						$\Delta t = 50^{\circ}\text{C}$	$\Delta t = 30^{\circ}\text{C}$	
3551730130004	<b>650</b>	600	50	445	5,5	0,51	2,3	167	89	1,2235
3551730130001	<b>1080</b>	600	50	875	8,8	0,83	3,2	250	133	1,2351
3551730130002	<b>1500</b>	600	50	1275	13,3	1,25	4,5	357	187	1,2686
3551730130003	<b>1745</b>	600	50	1540	16,9	1,53	6,0	432	223	1,2904

For output at different  $\Delta t$  than  $50^{\circ}\text{C}$ , please refer to the following formula: desired output = output at  $\Delta t 50^{\circ}\text{C} \times (\text{desired } \Delta t / 50)^n$



# BABYLA

POLISHED STAINLESS STEEL

design **Mariano Moroni**



PAGE 50

## 15 YEARS WARRANTY

### MATERIAL:

Vertical collectors in polished stainless steel with  $\varnothing$  of 38 mm.  
Horizontal heating elements in polished stainless steel 30x10 mm.

### FIXING KIT:

Brackets, airvent, hexagonal tool, plugs and screws for mounting suitable for use on compact or hollow brick, user notice.  
The kit is certified from TÜV in compliance with VDI 6036-class 4.

### PACKAGING:

The radiator is protected by a film in polyethylene and with a carton box.  
User notice included.

### FEATURES:

It is totally made in stainless steel with an unalterable finishing guaranteed during the years.  
Thermal outputs certified in accredited laboratories in compliance with European norm EN442.

## PRODUCT CERTIFICATES



Pression maximale de service: 8 bar

Température maximale de service: 110° C

Available for central heating systems

Connexions: n° 2 x 1/2" gaz - n° 1 x 1/2" gaz

## ACCESSORIES



**Elegant square polished valve kit pipe centres 50 mm with thermostatic head - right**

Copper connection  $\varnothing$  12/14/15  
Art. Nr. 5991990301076

Multilayer connection  $\varnothing$  16  
Art. Nr. 5991990301075



**Elegant square manual polished valve kit**

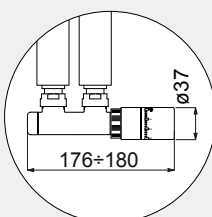
Copper connection  $\varnothing$  12/14/15  
Art. Nr. 5991990301084

Multilayer connection  $\varnothing$  16  
Art. Nr. 5991990301083



**Kit 2 hooks polished stainless steel**

Art. Nr. 5991990010223



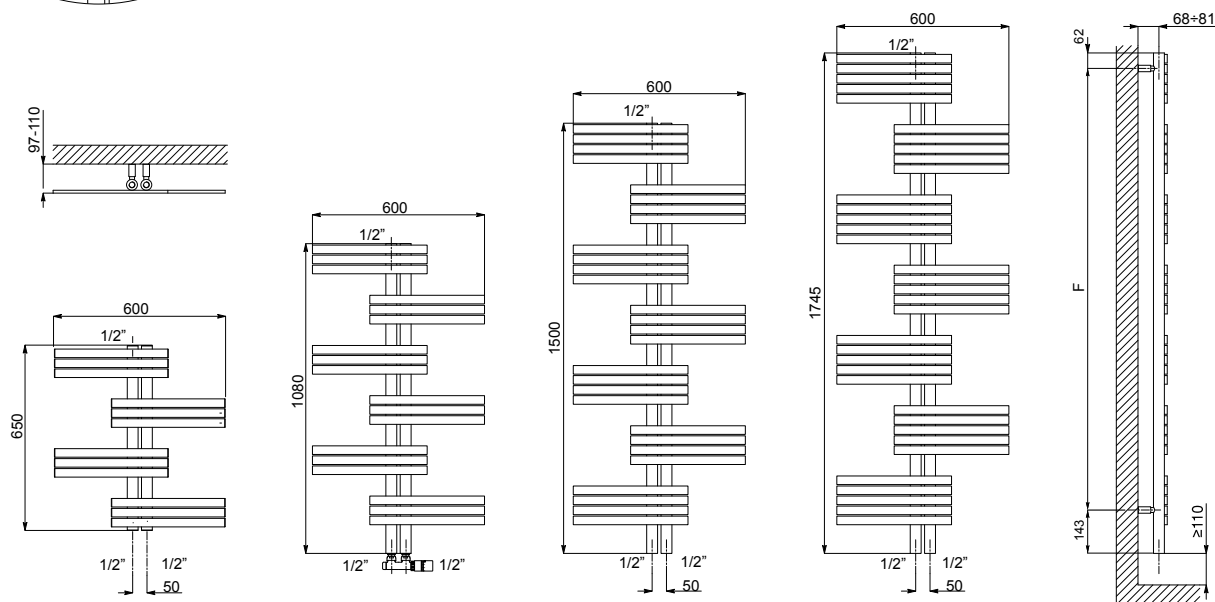
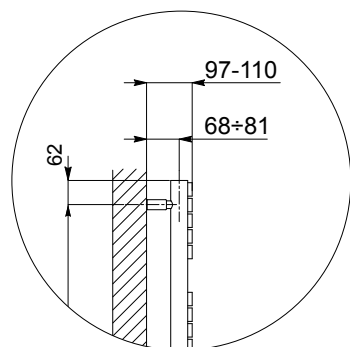
Measures for valves type Cordivari Elegant Square with thermostatic head and pipe centres 50 mm



**Sleeving kit for Pipe Centres 50 mm - valves polished**

Art. Nr. 5103000000057

Accessories and spare parts - see from page 328.



## BABYLA POLISHED STAINLESS STEEL

Art. Nr.	Height	Width	Pipe Centres	Fixing kit centres	Dry Weight	Surface	Water Content	Thermal output Watt		Exponent n
	H [mm]							L [mm]	I [mm]	
3551730130014	<b>650</b>	600	50	445	5,5	0,51	2,3	156	83	1,2246
3551730130011	<b>1080</b>	600	50	875	9,2	0,83	3,4	233	124	1,2351
3551730130012	<b>1500</b>	600	50	1275	13,3	1,25	4,5	333	174	1,2687
3551730130013	<b>1745</b>	600	50	1540	16,9	1,53	6,0	395	204	1,2904

For output at different  $\Delta t$  than  $50^{\circ}\text{C}$ , please refer to the following formula:  $\text{desired output} = \text{output at } \Delta t 50^{\circ}\text{C} \times (\text{desired } \Delta t / 50)^n$



# BABYLA

GOLD POLISHED STAINLESS STEEL

design **Mariano Moroni**



PAGE 52

## 5 YEARS WARRANTY

### MATERIAL:

Vertical collectors in polished stainless steel with  $\varnothing$  of 38 mm.  
Horizontal heating elements in polished stainless steel 30x10 mm.

### FIXING KIT:

Brackets, airvent, hexagonal tool, plugs and screws for mounting suitable for use on compact or hollow brick, user notice.  
The kit is certified from TÜV in compliance with VDI 6036-class 4.

### PACKAGING:

The radiator is protected by a film in polyethylene and with a carton box.  
User notice included.

### FEATURES:

It is totally made in stainless steel with an unalterable finishing guaranteed during the years.  
Thermal outputs certified in accredited laboratories in compliance with European norm EN442.

## PRODUCT CERTIFICATES



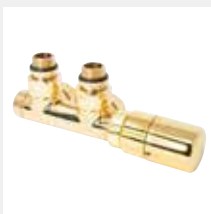
Pression maximale de service: 8 bar

Température maximale de service: 110° C

Available for central heating systems

Connexions: n° 2 x 1/2" gaz - n° 1 x 1/2" gaz

## ACCESSORIES



**Elegant square gold polished valve kit pipe centres 50 mm with thermostatic head - right**

Copper connection  $\varnothing$  12/14/15  
Art. Nr. 5991990301089

Multilayer connection  $\varnothing$  16  
Art. Nr. 5991990301091



**Elegant square manual polished gold valve kit**

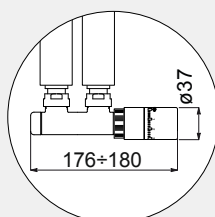
Copper connection  $\varnothing$  12/14/15  
Art. Nr. 5991990301056

Multilayer connection  $\varnothing$  16  
Art. Nr. 5991990301055



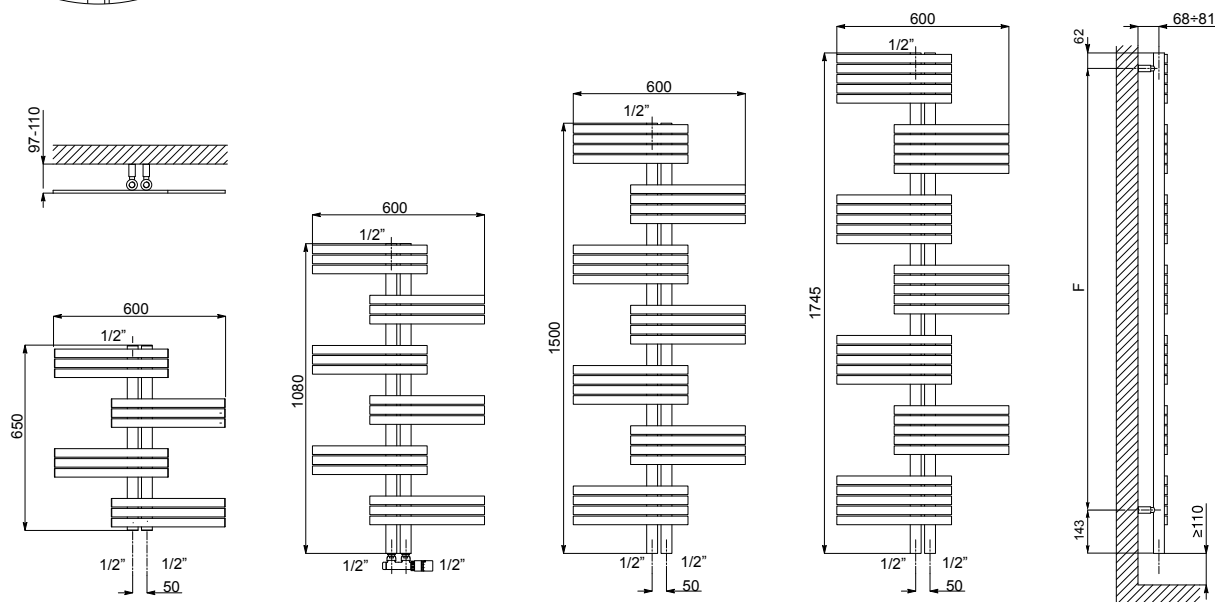
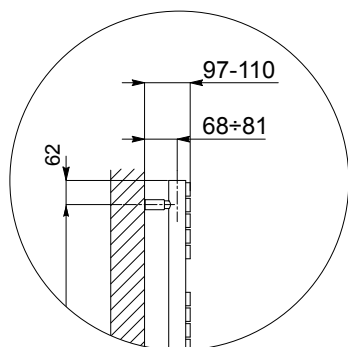
**Sleeving kit for Pipe Centres 50 mm - valves polished gold**

Art. Nr. 5103000000087



Measures for valves type Cordivari Elegant Square with thermostatic head and pipe centres 50 mm

Accessories and spare parts - see from page 328.



## BABYLA GOLD POLISHED STAINLESS STEEL

Art. Nr.	Height	Width	Pipe Centres	Fixing kit centres	Dry Weight	Surface	Water Content	Thermal output Watt		Exponent n
	H [mm]	L [mm]	I [mm]	F [mm]	[Kg]	[m <sup>2</sup> ]	[lt]	$\Delta t = 50^{\circ}\text{C}$	$\Delta t = 30^{\circ}\text{C}$	
3551730130024	<b>650</b>	600	50	445	5,5	0,51	2,3	156	83	1,2246
3551730130021	<b>1080</b>	600	50	875	9,2	0,83	3,4	233	124	1,2351
3551730130022	<b>1500</b>	600	50	1275	13,3	1,25	4,5	333	174	1,2687
3551730130023	<b>1745</b>	600	50	1540	16,9	1,53	6,0	395	204	1,2904

For output at different  $\Delta t$  than  $50^{\circ}\text{C}$ , please refer to the following formula: desired output = output at  $\Delta t 50^{\circ}\text{C}$  x (desired  $\Delta t/50$ )<sup>n</sup>



# CELINE

POLISHED STAINLESS STEEL



PAGE 54

**15 YEARS  
WARRANTY**

### MATERIAL:

Vertical collectors in polished stainless steel with  $\varnothing$  of 38 mm.  
Horizontal heating elements in polished stainless steel 30x10 mm.

### FIXING KIT:

Brackets, airvent, hexagonal tool, plugs and screws for mounting suitable for use on compact or hollow brick, user notice.

### PACKAGING:

The radiator is protected by a film in polyethylene and with a carton box.  
User notice included.

### FEATURES:

It is totally made in stainless steel with an unalterable finishing guaranteed during the years.  
Thermal outputs certified in accredited laboratories in compliance with European norm EN442.

## PRODUCT CERTIFICATES



Pression maximale de service: 5 bar

Température maximale de service: 110° C

Available for central heating systems

Connexions: n° 2 x 1/2" gaz - n° 2 x 1/2" gaz

## REVERSIBLE



## ACCESSORIES



### Elegant reverse manual polished valve kit

Copper connection  $\varnothing$  12/14/15  
Art. Nr. 5991990301082

Multilayer connection  $\varnothing$  16  
Art. Nr. 5991990301081



### Elegant square manual polished valve kit

Copper connection  $\varnothing$  12/14/15  
Art. Nr. 5991990301084

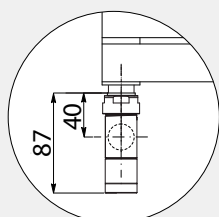
Multilayer connection  $\varnothing$  16  
Art. Nr. 5991990301083



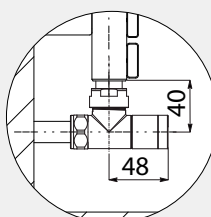
### Elegant corner dx with thermostatic head polished valve kit

Copper connection  $\varnothing$  12/14/15  
Art. Nr. 5991990301079

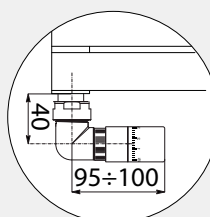
Multilayer connection  $\varnothing$  16  
Art. Nr. 5991990301077



Measures for Elegant reverse manual valve

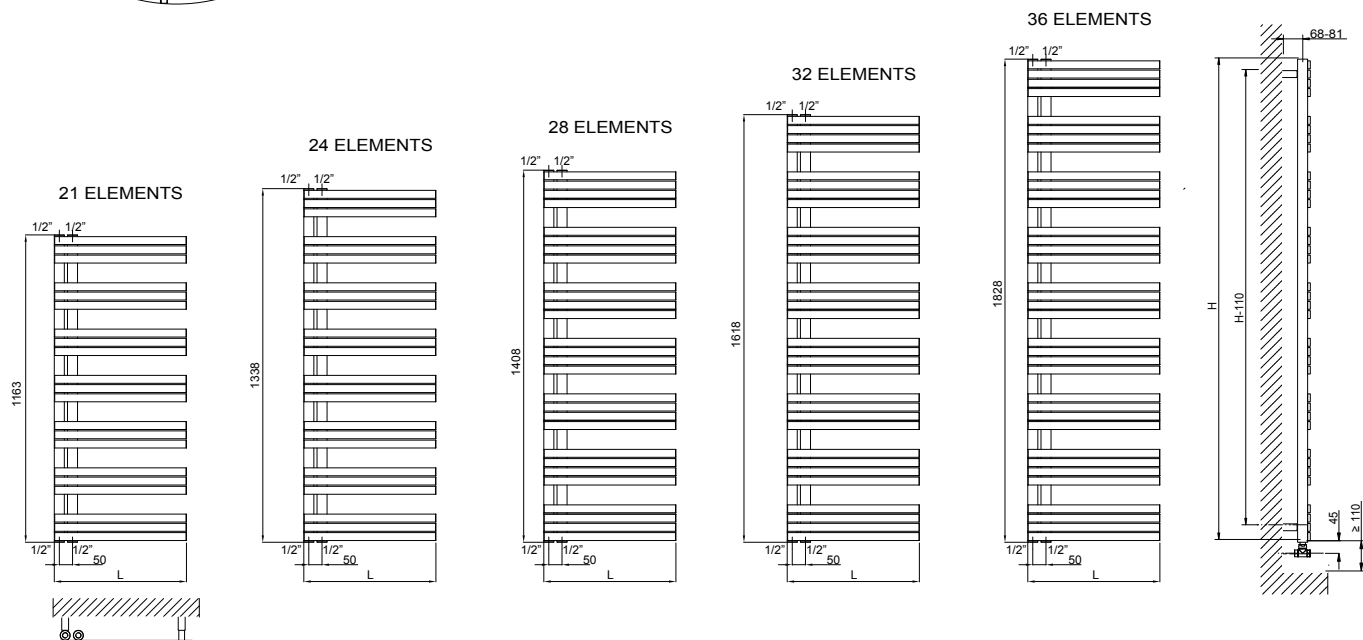
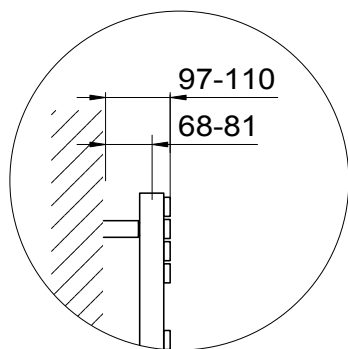


Measures for valves type Cordivari Elegant Square - Manual



Measures for valves type Cordivari Elegant Corner with thermostatic head

Accessories and spare parts - see from page 328.



## CELINE POLISHED STAINLESS STEEL

Art. Nr.	Height	Width	Pipe Centres	Dry Weight	Surface	Water Content	Thermal output Watt		Exponent n
	H [mm]	L [mm]	l [mm]	[Kg]	[m <sup>2</sup> ]	[lt]	$\Delta t = 50^{\circ}\text{C}$	$\Delta t = 30^{\circ}\text{C}$	
3551730130101	<b>1163</b>	500	50	10,0	1,118	4,5	294	148	1,3462
3551730130102	<b>1338</b>	500	50	11,6	1,203	5,2	337	169	1,3537
3551730130105	<b>1408</b>	500	50	12,6	1,456	5,7	393	197	1,3549
3551730130103	<b>1618</b>	500	50	14,8	1,666	6,5	449	224	1,3592
3551730130104	<b>1828</b>	500	50	16,7	1,876	7,4	506	252	1,3621

For output at different  $\Delta t$  than  $50^{\circ}\text{C}$ , please refer to the following formula: desired output = output at  $\Delta t 50^{\circ}\text{C} \times (\text{desired } \Delta t/50)^n$



# CELINE ELECTRIC

POLISHED STAINLESS STEEL



PAGE 58



EUROPEAN WARRANTY

### MATERIAL:

Vertical collectors in polished stainless steel with  $\varnothing$  of 38 mm.  
Horizontal heating elements in polished stainless steel 30x10 mm.  
Glycolate water.

### FIXING KIT:

Brackets, hexagonal tool, plugs and screws for mounting suitable for use on compact or hollow brick, user notice.

### PACKAGING:

The radiator is protected by a film in polyethylene and with a carton box.  
User notice included.

### FEATURES:

It is totally made in stainless steel with an unalterable finishing guaranteed during the years.

## PRODUCT CERTIFICATES



Electrical resistors: CLASS 1

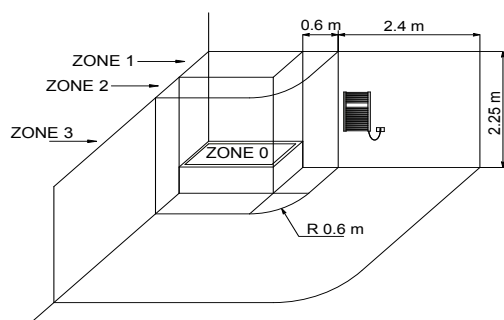
Minimum class protection: IP 44

Seasonal energy efficiency  $\eta_s$ :  $\geq 38\%$

Wire Length: 1200 mm with Schuko plug

Electrical only: With digital thermostat and remote control

## HOW TO PLACE ELECTRIC RADIATORS



The national rules on installing electrical equipment in the bathroom must be scrupulously respected. The electric radiators must be always installed outside zone 1 and 2. In particular the electric switch and control elements must be mandatorily located in zone 3, in order that no electrical control center is accessible to a anyone using the shower or bath.



All Cordivari electric radiators are in line with the new European regulation UE 2015/1188. The new regulation imposes a seasonal energy efficiency of electrical appliances for ambient heating with a nominal thermal output over 250 W and not less than 38%.

The seasonal energy efficiency of ambient heating ( $\eta_s$ ) is expressed with the ratio between the demand of ambient heating supplied by a heating appliance and the annual energy consumption required to meet this demand, expressed as percentage. The Cordivari ErP is in line with the new Ecodesign directives, which are characterized by a great efficiency combined with the maximum attention to energy saving. In particular the radiators are at least equipped with: electronic temperature control; open window sensor; weekly program timer.

Thanks to the new fully programmable digital thermostats and sensors present on the radiators, now the new Cordivari ErP electric radiators, heat, efficiency and energy saving are the best allies of your comfort.

## INCLUDED



Remote control for top digital thermostat

### MAIN FEATURES AND FUNCTIONS:

CRONO: function of chrono-thermostat with daily or weekly programming with two temperature levels (Comfort/Eco)

COMFORT: Possibility of setting your own desired temperature for time slot for higher comfort

ECO: Possibility of keeping the temperature constant with lower power consumption. Useful for energy saving when the room is not occupied.

ANTI-FREEZE: Useful if the room is not used for long periods

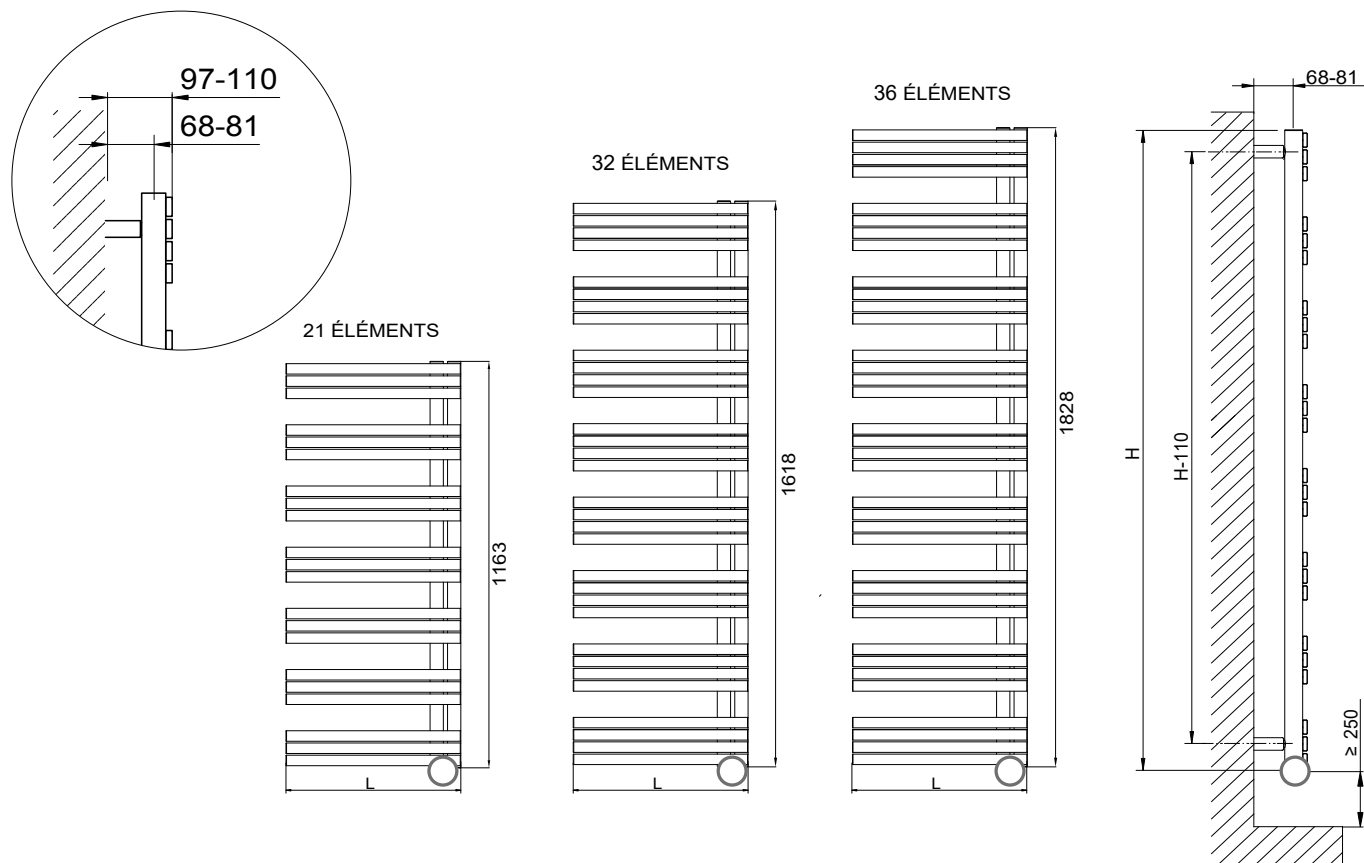
TIMER/FORCED MARCH: Useful to heat rapidly the room and dry towels thanks to 2h of forced march at max. Power.

CHILD SAFETY LOCK: special purpose lock of the display panel so to avoid any accidental alteration

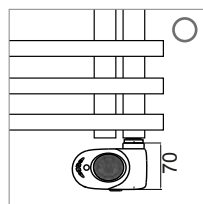
REMOTE CONTROL (optional): The digital thermostat is equipped with an infrared remote control useful to manage all the aforementioned functions.

Accessories and spare parts - see from page 328.





### TOP DIGITAL THERMOSTAT **DX**

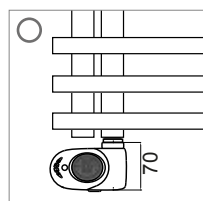


The general footprint has to be calculated considering the thermostat height

### CELINE ELECTRIC - POLISHED STAINLESS STEEL

Art. Nr.	Height	Width	Thermal output	Weight
	H [mm]	L [mm]	Watt	Kg
KIT - Top digital thermostat <b>DX (right)</b>				
3581730400005	<b>1163</b>	500	400	15,5
3581730400001	<b>1618</b>	500	500	21,5
3581730400002	<b>1828</b>	500	600	24,3

### TOP DIGITAL THERMOSTAT **SX**



The general footprint has to be calculated considering the thermostat height

### CELINE ELECTRIC - POLISHED STAINLESS STEEL

Art. Nr.	Height	Width	Thermal output	Weight
	H [mm]	L [mm]	Watt	Kg
KIT - Top digital thermostat <b>SX (left)</b>				
3581730400006	<b>1163</b>	500	400	15,5
3581730400003	<b>1618</b>	500	500	21,5
3581730400004	<b>1828</b>	500	600	24,3



# FUJIKO

POLISHED STAINLESS STEEL



PAGE 60

**15 YEARS  
WARRANTY**

**MATERIAL:**

Vertical collectors in polished stainless steel with  $\varnothing$  of 30 mm.  
Horizontal heating elements in polished stainless steel 30x10 mm.

**FIXING KIT:**

Brackets, airvent, hexagonal tool, plugs and screws for mounting suitable for use on compact or hollow brick, user notice.

**PACKAGING:**

The radiator is protected by a recyclable film in polyethylene and with a carton box. User notice included.

**FEATURES:**

It is totally made in stainless steel with an unalterable finishing guaranteed during the years.  
Thermal outputs certified in accredited laboratories in compliance with European norm EN442.

**PRODUCT CERTIFICATES**



Pression maximale de service: 8 bar

Température maximale de service: 110° C

Available for central heating systems

Connexions: n° 2 x 1/2" gaz - n° 1 x 1/2" gaz

**ACCESSORIES**



**Elegant reverse manual polished valve kit**

Copper connection  $\varnothing$  12/14/15  
Art. Nr. 5991990301082

Multilayer connection  $\varnothing$  16  
Art. Nr. 5991990301081



**Elegant square manual polished valve kit**

Copper connection  $\varnothing$  12/14/15  
Art. Nr. 5991990301084

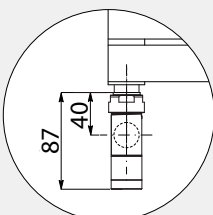
Multilayer connection  $\varnothing$  16  
Art. Nr. 5991990301083



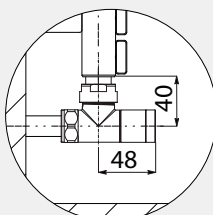
**Elegant corner dx with thermostatic head polished valve kit**

Copper connection  $\varnothing$  12/14/15  
Art. Nr. 5991990301079

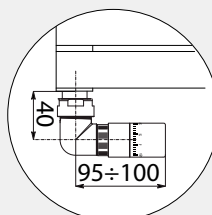
Multilayer connection  $\varnothing$  16  
Art. Nr. 5991990301077



Measures for Elegant reverse manual valve

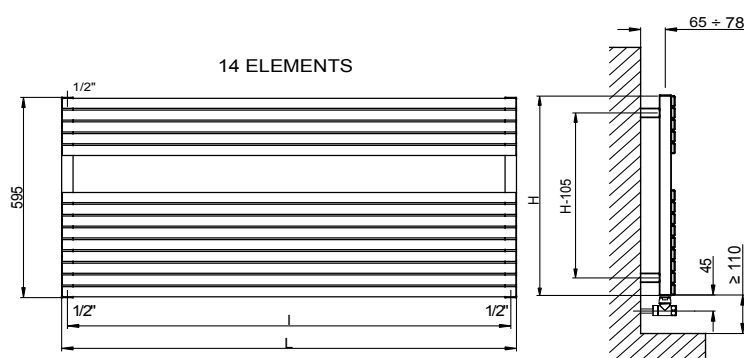
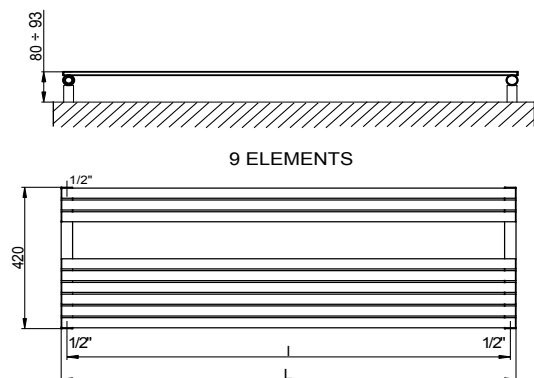
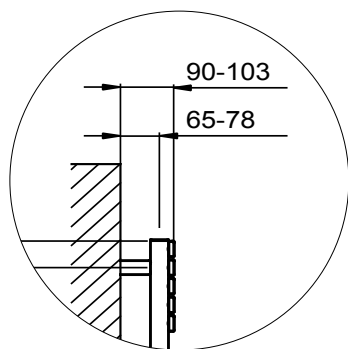


Measures for valves type Cordivari Elegant Square - Manual



Measures for valves type Cordivari Elegant Corner with thermostatic head

Accessories and spare parts - see from page 328.



## FUJIKO POLISHED STAINLESS STEEL

Art. Nr.	Height	Width	Pipe Centres	Dry Weight	Surface	Water Content	Thermal output Watt		Exponent n
	H [mm]	L [mm]	I [mm]	[Kg]	[m <sup>2</sup> ]	[lt]	$\Delta t = 50^{\circ}\text{C}$	$\Delta t = 30^{\circ}\text{C}$	
3551610131001	<b>420</b>	1200	1170	8,5	0,9	2,7	327	176	1,2082
3551610131002		1400	1370	9,8	1	3,1	395	211	1,2275
3551610131003	<b>595</b>	1200	1170	13,1	1,3	4,2	462	255	1,1656
3551610131004		1400	1370	15,1	1,5	4,8	554	302	1,1902

For output at different  $\Delta t$  than  $50^{\circ}\text{C}$ , please refer to the following formula: desired output = output at  $\Delta t 50^{\circ}\text{C}$  x (desired  $\Delta t/50$ )<sup>n</sup>



# SFERE TRITTICO

design **Simone Micheli**



PAGE 64

**EUROPEAN  
WARRANTY**

### MATERIAL:

Super slim heating body in painted carbon steel.

### FIXING KIT:

Brackets, airvent, hexagonal tool, plugs and screws for mounting suitable for use on compact or hollow brick, user notice.

The kit is certified from TÜV in compliance with VDI 6036-class 4.

### VALVE KIT INCLUDES FOR STANDARD VERSION

#### (ONLY FOR STANDARD VERSION):

- Valves with thermostatic head
- Fittings for copper pipe (Ø 12/14/15)
- Fittings for multilayer pipe (Ø 16)
- Ready - to install pipe connection kit

### FOR WALL-FIT VERSION THE VALVES MUST BE PURCHASED SEPARATELY

#### VERSION FOR WALL-FIT VALVES INCLUDES:

2x1/2" connections

### PACKAGING:

The radiator is protected by a film in polyethylene and with a carton box. User notice included.

### PAINTING PROCESS:

Painted with ecological epoxy. (Certificate DIN 55900-1,-2). Thermal outputs certified in accredited laboratories in compliance with European norm EN442.

### COLOURS:

Radiator and accessories: standard white colour R01. For other colours see page 350.

## PRODUCT CERTIFICATES



Pression maximale de service: 5 bar

Température maximale de service: 110° C

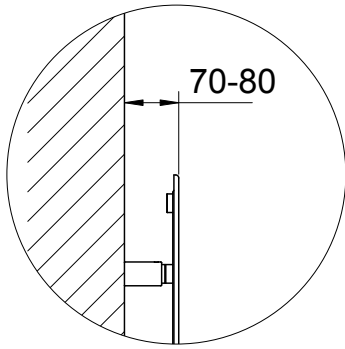
Available for central heating systems

Connexions: n° 2 x 1/2" gaz - n° 1 x 1/2" gaz

## AWARD



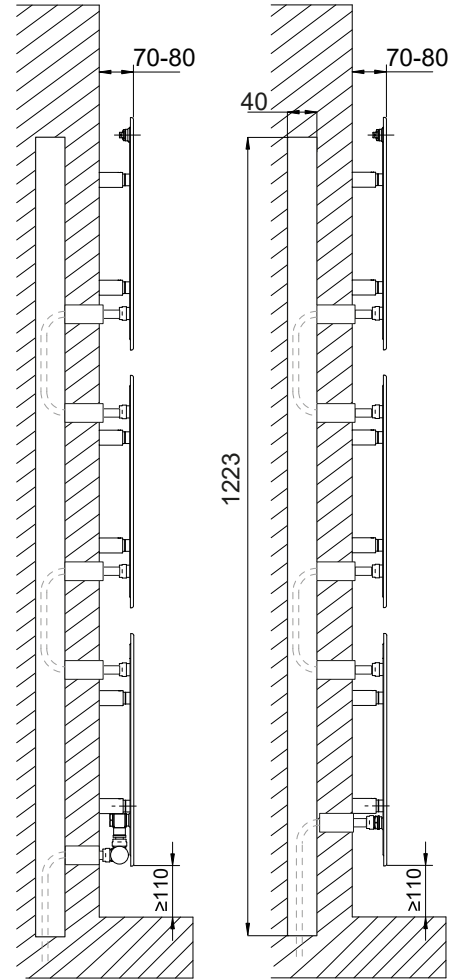
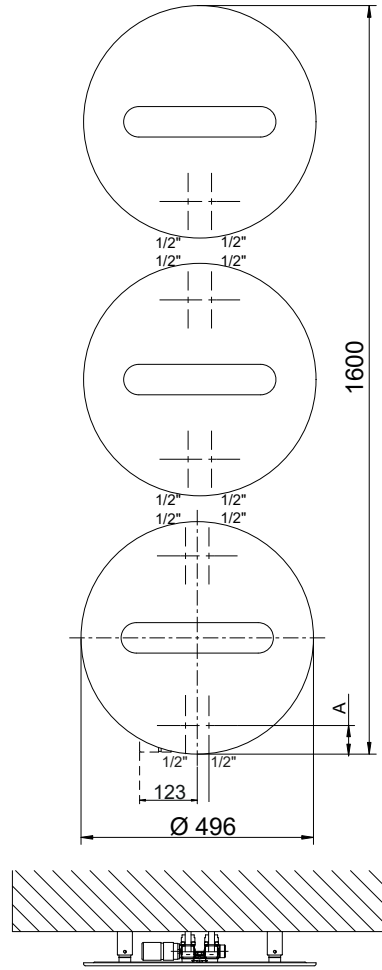
Accessories and spare parts - see from page 328.



**BUILT-IN CONNECTIONS  
FOR SFERE TRITTICO**



TUTORIAL  
INSTALLING  
THE CONNECTION KIT



**STANDARD  
VERSION**

**VERSION FOR  
WALL-FIT VALVES**

**SFERE TRITTICO**

	Art. Nr.	Diameter		Pipe Centres	A	Dry Weight	Surface	Water Content	Thermal output Watt		Exponent n
		D [mm]	I [mm]						$\Delta t = 50^{\circ}\text{C}$	$\Delta t = 30^{\circ}\text{C}$	
<b>STANDARD VERSION</b>	3540806100221	<b>496</b>	50	24	24,3	1,2	0,9	582	316	1,195	
<b>VERSION WALL-FIT VALVES</b>	3540806100226	<b>496</b>	50	93	24,3	1,2	0,9	582	316	1,195	

Art. Nr. are referred to colour WHITE R01 - version.

Standard version, is inclusive of VALVE, HOLDER and THERMOSTATIC HEAD, compliant with UNI EN215:2007 and DM 19/02/2017.

The wall fit version includes only 2 x 1/2" connections.

For output at different  $\Delta t$  than  $50^{\circ}\text{C}$ , please refer to the following formula: desired output = output at  $\Delta t 50^{\circ}\text{C}$  x (desired  $\Delta t/50$ )<sup>n</sup>



# SFERE

design **Simone Micheli**



PAGE 66

**EUROPEAN  
WARRANTY**

## MATERIAL:

Super slim heating body in painted carbon steel.

## FIXING KIT:

Brackets, airvent, hexagonal tool, plugs and screws for mounting suitable for use on compact or hollow brick, user notice.

The kit is certified from TÜV in compliance with VDI 6036-class 4.

## VALVE KIT INCLUDES FOR STANDARD VERSION

### (ONLY FOR STANDARD VERSION):

Valves with thermostatic head

Fittings for copper pipe (Ø 12/14/15)

Fittings for multilayer pipe (Ø 16)

Ready - to install pipe connection kit

## FOR WALL-FIT VERSION THE VALVES MUST BE PURCHASED SEPARATELY

### VERSION FOR WALL-FIT VALVES INCLUDES:

2x1/2" connections

## PACKAGING:

The radiator is protected by a film in polyethylene and with a carton box. User notice included.

## PAINTING PROCESS:

Painted with ecological epoxy. (Certificate DIN 55900-1,-2).

Thermal outputs certified in accredited laboratories in compliance with European norm EN442.

## COLOURS:

Radiator and accessories: standard white colour R01.

For other colours see page 350.

## PRODUCT CERTIFICATES



Pression maximale de service: 5 bar

Température maximale de service: 110° C

Available for central heating systems

Connexions: n° 2 x 1/2" gaz - n° 1 x 1/2" gaz

## AWARD



SFERE with **wall-fit valves**



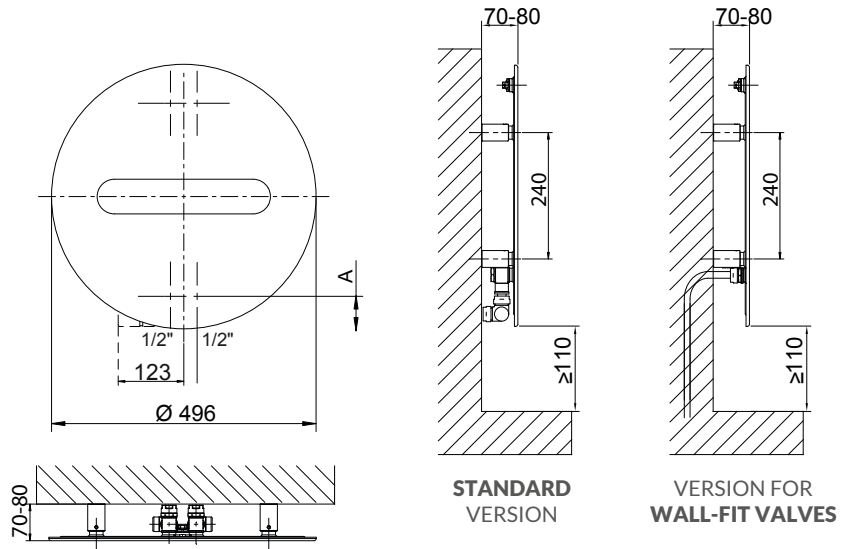
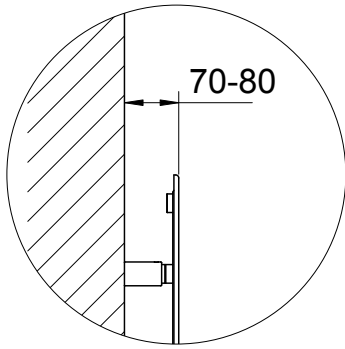
**Wall-fit valves (OPTIONAL)**



## ACCESSORIES

	<b>Manual wall-fit valves</b>
	Fitting for wall-fit valves Copper connection Ø 12/14/15 Art. Nr. 5991170300001
	Fitting for wall-fit valves Multilayer connection Ø 16 Art. Nr. 5991170300002
	Wall-fit valves Art. Nr. 5991990311226

Accessories and spare parts - see from page 328.



## SFERE

	Art. Nr.	Diameter		Pipe Centres	A	Dry Weight	Surface	Water Content	Thermal output Watt		Exponent n
		D [mm]	I [mm]						$\Delta t = 50^{\circ}\text{C}$	$\Delta t = 30^{\circ}\text{C}$	
STANDARD VERSION	3540806100211	<b>496</b>	50	50	24	0,35	0,3	194	105	1,1950	1,195
VERSION WALL-FIT VALVES	3540806100212	<b>496</b>	50	50	93	0,35	0,3	194	105	1,1950	1,195

Art. Nr. are referred to colour WHITE R01 - version.

The standard version is inclusive of valve and holder.

The wall fit version includes only 2 x 1/2" connections.

For output at different  $\Delta t$  than 50°C, please refer to the following formula: desired output = output at  $\Delta t$  50°C x (desired  $\Delta t$ /50)<sup>n</sup>



# GIULY®

design **Mariano Moroni**



PAGE 72

**EUROPEAN  
WARRANTY**

**MATERIAL:**

Super slim heating body in painted carbon steel.

**FIXING KIT:**

Brackets, airvent, hexagonal tool, plugs and screws for mounting suitable for use on compact or hollow brick, user notice.

The kit is certified from TÜV in compliance with VDI 6036-class 4.

**VALVE KIT INCLUDES:**

Valves with thermostatic head  
Fittings for copper pipe (Ø 12/14/15)  
Fittings for multilayer pipe (Ø 16)

**PACKAGING:**

The radiator is protected by a film in polyethylene and with a carton box. User notice included.

**PAINTING PROCESS:**

Painted with ecological epoxy. (Certificate DIN 55900-1,-2).  
Thermal outputs certified in accredited laboratories in compliance with European norm EN442.

**COLOURS:**

Radiator and accessories: standard white colour R01.  
For other colours see page 350.

## PRODUCT CERTIFICATES



Pression maximale de service: 5 bar

Température maximale de service: 110° C

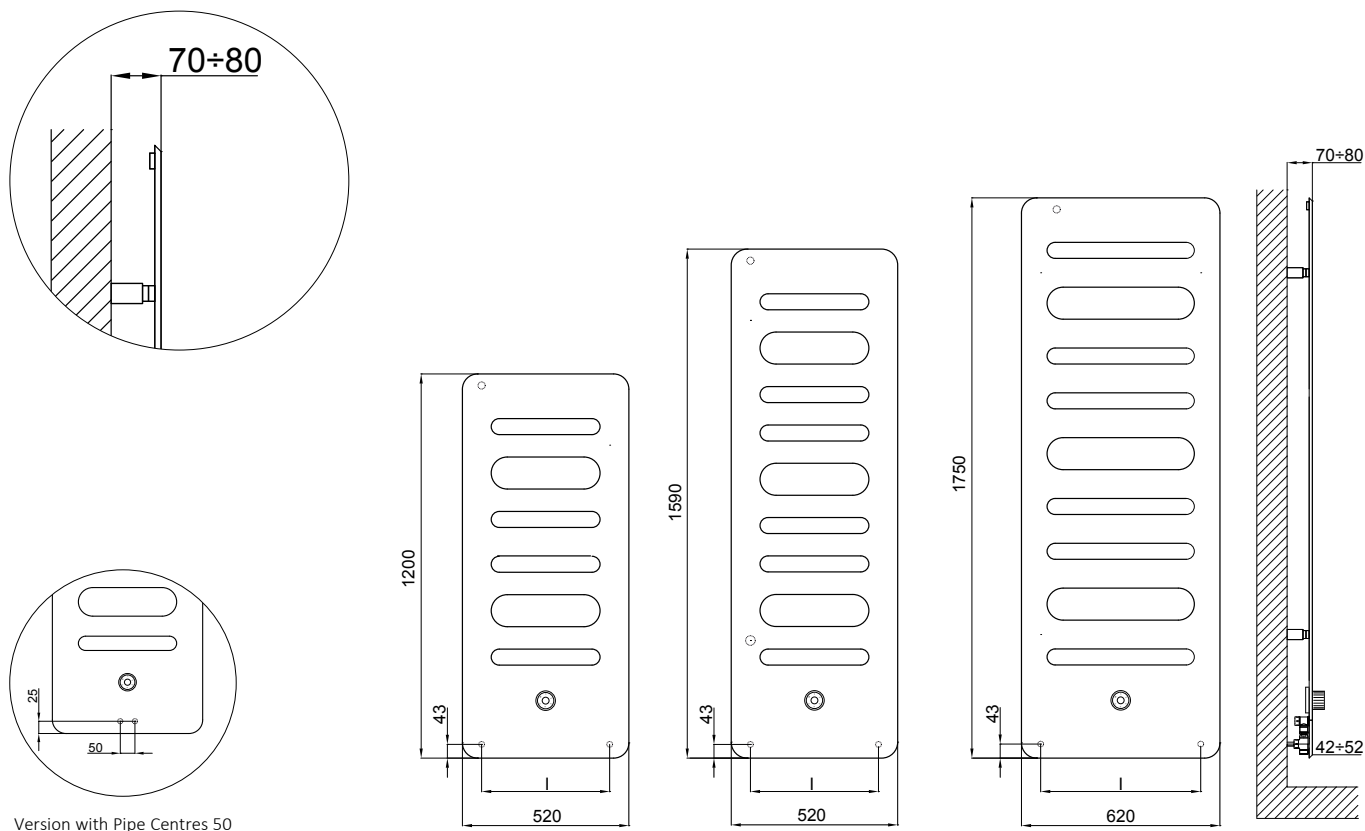
Available for central heating systems

Connexions: n° 2 x 1/2" gaz - n° 1 x 1/2" gaz

## AWARD







Version with Pipe Centres 50

## GIULY®

Art. Nr.	Height	Width	Pipe Centres	Dry Weight	Surface	Water Content	Thermal output Watt		Exponent n
	H [mm]	L [mm]	I [mm]	[Kg]	[m <sup>2</sup> ]	[lt]	$\Delta t = 50^{\circ}\text{C}$	$\Delta t = 30^{\circ}\text{C}$	
3540806100204	<b>1200</b>	520	400	16	0,9	0,9	521	274	1,2603
3540806100205	<b>1590</b>	520	400	20	1,16	1,16	714	377	1,2518
3540806100207	<b>1750</b>	620	500	26	1,5	1,5	900	467	1,2849

Art. Nr. are referred to colour WHITE R01 version.

Include valve kit and thermostatic head, in accordance with EN215:2007.

## GIULY® PIPE CENTRES 50 MM

Art. Nr.	Height	Width	Pipe Centres	Dry Weight	Surface	Water Content	Thermal output Watt		Exponent n
	H [mm]	L [mm]	I [mm]	[Kg]	[m <sup>2</sup> ]	[lt]	$\Delta t = 50^{\circ}\text{C}$	$\Delta t = 30^{\circ}\text{C}$	
3540806100201	<b>1200</b>	520	50	16	0,9	0,9	521	274	1,2603
3540806100202	<b>1590</b>	520	50	20	1,16	1,16	714	377	1,2518
3540806100203	<b>1750</b>	620	50	26	1,5	1,5	900	467	1,2849

Art. Nr. are referred to colour WHITE R01 version.

Include valve kit and thermostatic head, in accordance with EN215:2007.

For output at different  $\Delta t$  than  $50^{\circ}\text{C}$ , please refer to the following formula: desired output = output at  $\Delta t 50^{\circ}\text{C}$  x (desired  $\Delta t/50$ )<sup>n</sup>



# GIULY® SL

design **Mariano Moroni**



PAGE 76

**EUROPEAN  
WARRANTY**

#### **MATERIAL:**

Super slim heating body in painted carbon steel.

#### **FIXING KIT:**

Brackets, airvent, hexagonal tool, plugs and screws for mounting suitable for use on compact or hollow brick, user notice.

The kit is certified from TÜV in compliance with VDI 6036-class 4.

#### **VALVE KIT INCLUDES:**

Valves

Fittings for copper pipe (Ø 12/14/15)

Fittings for multilayer pipe (Ø 16)

#### **PACKAGING:**

The radiator is protected by a film in polyethylene and with a carton box. User notice included.

#### **PAINTING PROCESS:**

Painted with ecological epoxy. (Certificate DIN 55900-1,-2).

Thermal outputs certified in accredited laboratories in compliance with European norm EN442.

#### **COLOURS:**

Radiator and accessories: standard white colour R01.

For other colours see page 350.

## PRODUCT CERTIFICATES



Pression maximale de service: 5 bar

Température maximale de service: 110° C

Available for central heating systems

Connexions: n° 2 x 1/2" gaz - n° 1 x 1/2" gaz

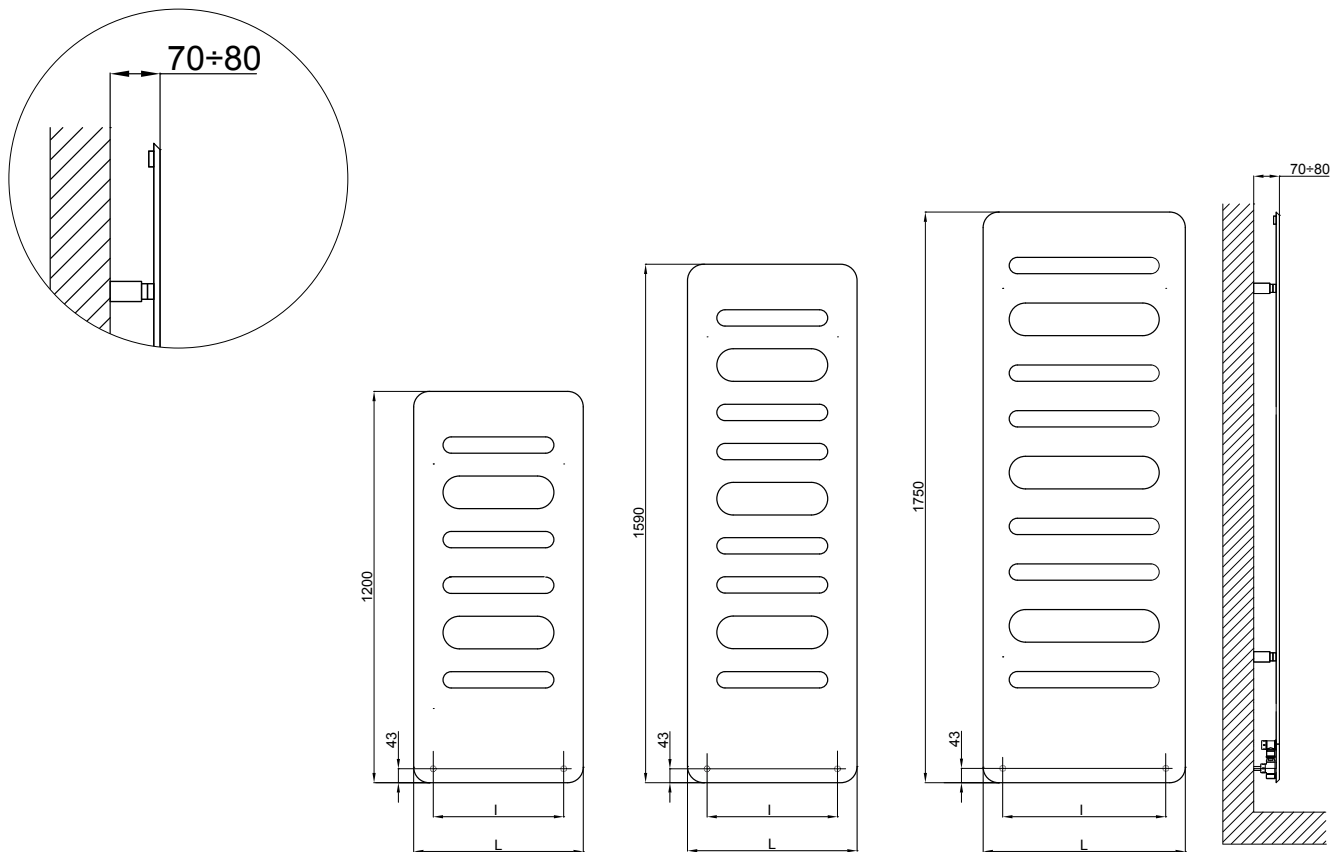
## AWARD



product  
design award

2014





## GIULY® SL

Art. Nr.	Height		Width	Pipe Centres	Dry Weight	Surface	Water Content	Thermal output Watt		Exponent n
	H [mm]	L [mm]						$\Delta t = 50^{\circ}\text{C}$	$\Delta t = 30^{\circ}\text{C}$	
3540806100222	<b>1200</b>	520	400	16	0,90	0,90	523	275	1,2610	
3540806100223	<b>1590</b>	520	400	20	1,16	1,16	718	379	1,2510	
3540806100225	<b>1750</b>	620	500	26	1,50	1,50	903	468	1,2850	

Art. Nr. are referred to colour WHITE R01 version.

Includes valves.

For output at different  $\Delta t$  than  $50^{\circ}\text{C}$ , please refer to the following formula: desired output = output at  $\Delta t 50^{\circ}\text{C}$  x (desired  $\Delta t/50$ )<sup>n</sup>



# BADGE®

design **Simone Micheli**



PAGE 78

**EUROPEAN  
WARRANTY**

### MATERIAL:

Super slim heating body in painted carbon steel.

### FIXING KIT:

Brackets, airvent, hexagonal tool, plugs and screws for mounting suitable for use on compact or hollow brick, user notice.

The kit is certified from TÜV in compliance with VDI 6036-class 4.

Fixing template scheme (only available for Badge® 1212x512)

### VALVE KIT INCLUDES:

Valves

Fittings for copper pipe (Ø 12/14/15)

Fittings for multilayer pipe (Ø 16)

### PACKAGING:

The radiator is protected by a film in polyethylene and with a carton box. User notice included.

### PAINTING PROCESS:

Painted with ecological epoxy. (Certificate DIN 55900-1,-2).

Thermal outputs certified in accredited laboratories in compliance with European norm EN442.

### COLOURS:

Radiator and accessories: standard white colour R01.

For other colours see page 350.

## PRODUCT CERTIFICATES



Pression maximale de service: 5 bar

Température maximale de service: 110° C

Available for central heating systems

Connexions: n° 2 x 1/2" gaz - n° 1 x 1/2" gaz

## AWARD

**DESIGN PLUS**  
WINNER

**COMFORT & DESIGN**  
AWARD

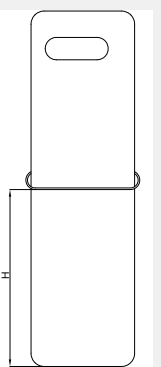
**ŁAZIENKA**  
AWARD

**PRIX DU DESIGN IDÉO BAIN**  
NOMINÈ

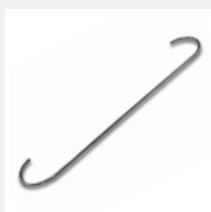


HOW TO PLACE  
TOWEL BAR  
BADGE VERTICAL  
(ACCESSORIES)

Model	H
	[mm]
1212x512	<b>800</b>
1755x512	<b>870</b>



## ACCESSORIES



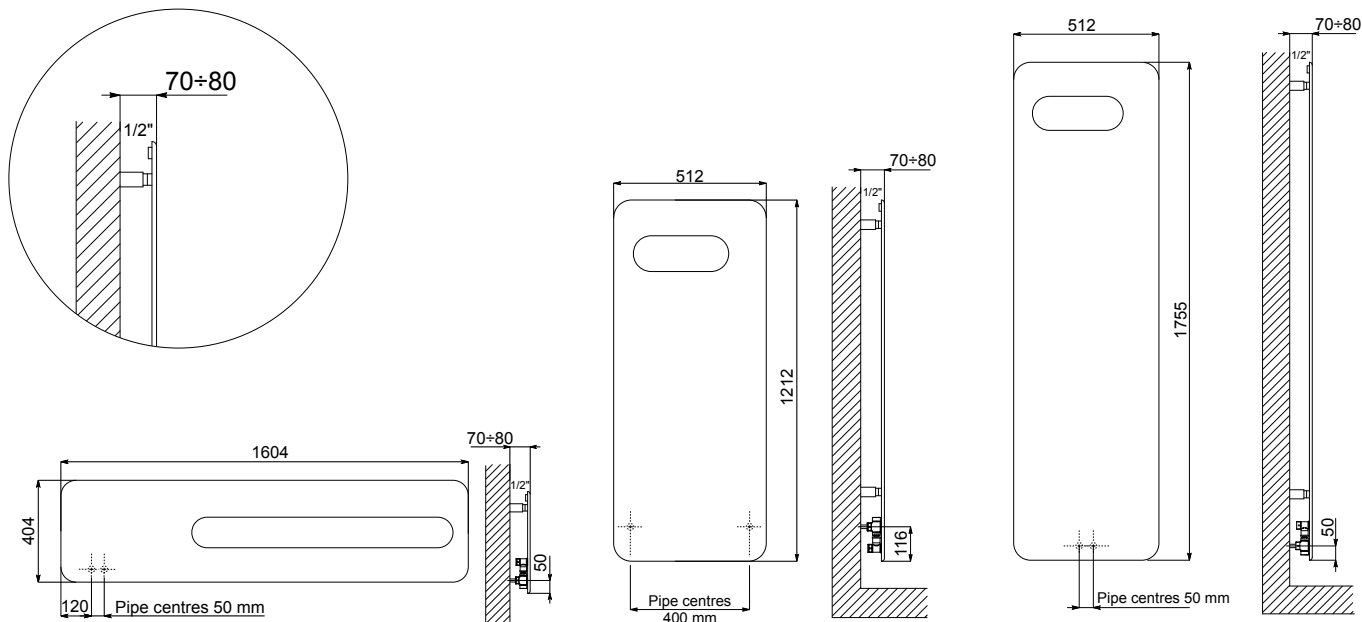
**Straight hanger polished  
stainless steel  
(L= 570 mm)**

Art. Nr. 5991990310240



Available on vertical  
BADGE®

Accessories and spare parts - see from page 328.



## BADGE®

Art. Nr.	Height	Width	Pipe Centres	Dry Weight	Surface	Water Content	Thermal output Watt		Exponent n
	H [mm]	L [mm]	l [mm]	[Kg]	[m <sup>2</sup> ]	[lt]	$\Delta t = 50^{\circ}\text{C}$	$\Delta t = 30^{\circ}\text{C}$	
3540806100021	<b>404</b>	1604	50	19	0,96	1,1	572	306	1,2224
3540806100025	<b>1212</b>	512	400	20	1,12	0,8	567	301	1,2398
3540806100030	<b>1755</b>	512	50	28,5	1,66	1,2	795	436	1,1749

Art. Nr. are referred to colour WHITE R01 version.

Includes valves.

For output at different  $\Delta t$  than  $50^{\circ}\text{C}$ , please refer to the following formula: desired output = output at  $\Delta t 50^{\circ}\text{C}$  x (desired  $\Delta t/50$ )<sup>n</sup>



# BADGE® CONTROL

design **Simone Micheli**



PAGE 84

**EUROPEAN  
WARRANTY**

### MATERIAL:

Super slim heating body in painted carbon steel.

### FIXING KIT:

Brackets, airvent, hexagonal tool, plugs and screws for mounting suitable for use on compact or hollow brick, user notice.

The kit is certified from TÜV in compliance with VDI 6036-class 4.

### VALVE KIT INCLUDES:

Valves with thermostatic head  
Fittings for copper pipe (Ø 12/14/15)  
Fittings for multilayer pipe (Ø 16)

### PACKAGING:

The radiator is protected by a film in polyethylene and with a carton box. User notice included.

### PAINTING PROCESS:

Painted with ecological epoxy. (Certificate DIN 55900-1,-2). Thermal outputs certified in accredited laboratories in compliance with European norm EN442.

### COLOURS:

Radiator and accessories: standard white colour R01.  
For other colours see page 350.

## PRODUCT CERTIFICATES



Pression maximale de service: 5 bar

Température maximale de service: 110° C

Available for central heating systems

Connexions: n° 2 x 1/2" gaz - n° 1 x 1/2" gaz

## AWARD

**DESIGN PLUS**  
WINNER

**COMFORT & DESIGN**  
AWARD

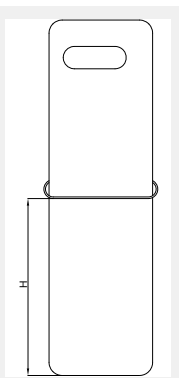
**ŁAZIENKA**  
AWARD

**PRIX DU DESIGN IDÉO BAIN**  
NOMINÉ



HOW TO PLACE  
TOWEL BAR  
BADGE VERTICAL  
(ACCESSORIES)

Model	H
[mm]	
1212x512	<b>800</b>
1755x512	<b>870</b>



## ACCESSORIES



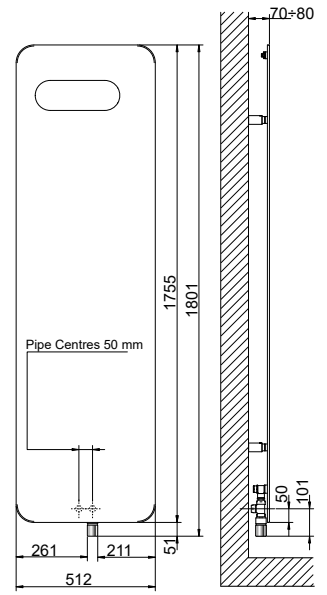
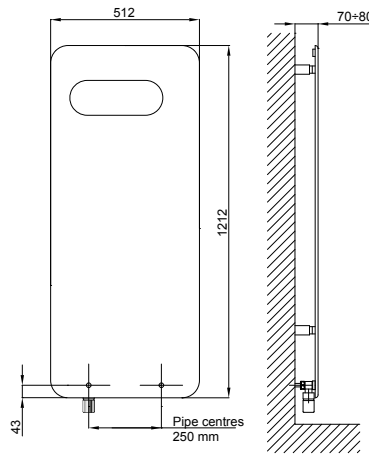
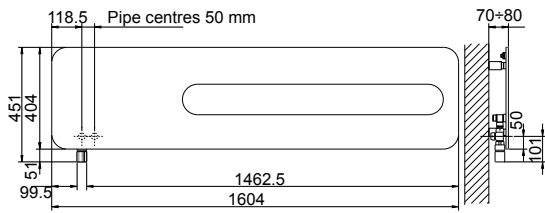
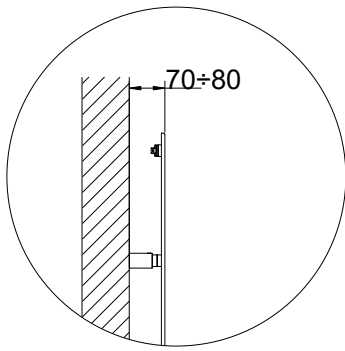
**Straight hanger polished stainless steel (L= 570 mm)**

Art. Nr. 5991990310240



Available on vertical BADGE®

Accessories and spare parts - see from page 328.



## BADGE<sup>®</sup> CONTROL

Art. Nr.	Height	Width	Pipe Centres	Dry Weight	Surface	Water Content	Thermal output Watt		Exponent n
	H [mm]	L [mm]	I [mm]	[Kg]	[m <sup>2</sup> ]	[lt]	$\Delta t = 50^{\circ}\text{C}$	$\Delta t = 30^{\circ}\text{C}$	
3540806100041	<b>404</b>	1604	50	19	0,96	1,1	572	306	1,2224
3540806100051	<b>1212</b>	512	250	20	1,12	0,8	567	301	1,2398
3540806100050	<b>1755</b>	512	50	28,5	1,66	1,2	795	436	1,1749

Art. Nr. are referred to colour WHITE R01 version.

Include valve kit and thermostatic head, in accordance with EN215:2007.

For output at different  $\Delta t$  than  $50^{\circ}\text{C}$ , please refer to the following formula: desired output = output at  $\Delta t 50^{\circ}\text{C}$  x (desired  $\Delta t/50$ )<sup>n</sup>



# BADGE<sup>®</sup> ELECTRIC

design **Simone Micheli**



PAGE 88

**EUROPEAN  
WARRANTY**

### MATERIAL:

Super slim heating body in painted carbon steel.

### FIXING KIT:

Brackets, hexagonal tool, plugs and screws for mounting suitable for use on compact or hollow brick, user notice.

The kit is certified from TÜV in compliance with VDI 6036-class 4.

### PACKAGING:

The radiator is protected by a film in polyethylene and with a carton box. User notice included.

### PAINTING PROCESS:

Painted with ecological epoxy. (Certificate DIN 55900-1,-2).

### COLOURS:

Radiator and accessories: standard white colour R01.

For other colours see page 350.

## PRODUCT CERTIFICATES



Electrical resistors: CLASS 2

Minimum class protection: IP 44

Seasonal energy efficiency  $\eta_s$ :  $\geq 38\%$

Wire Length: 1200 mm with Schuko plug

Electrical only: Digital Chrono-thermostat

## AWARD

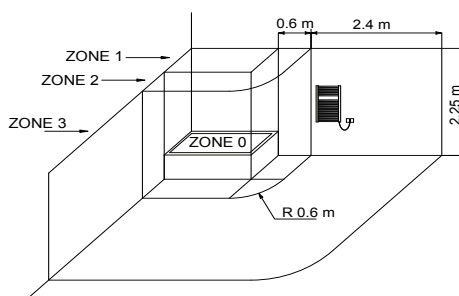
**DESIGN PLUS**  
WINNER

**COMFORT & DESIGN**  
AWARD

**ŁAZIENKA**  
AWARD

**PRIX DU DESIGN IDÉO BAIN**  
NOMINÉ

## HOW TO PLACE ELECTRIC RADIATORS



The national rules on installing electrical equipment in the bathroom must be scrupulously respected. The electric radiators must be always installed outside zone 1 and 2.

In particular the electric switch and control elements must be mandatorily located in zone 3, in order that no electrical control center is accessible to anyone using the shower or bath.

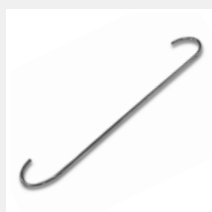


All Cordivari electric radiators are in line with the new European regulation UE 2015/1188. The new regulation imposes a seasonal energy efficiency of electrical appliances for ambient heating with a nominal thermal output over 250 W and not less than 38%.

The seasonal energy efficiency of ambient heating ( $\eta_s$ ) is expressed with the ratio between the demand of ambient heating supplied by a heating appliance and the annual energy consumption required to meet this demand, expressed as percentage. The Cordivari ErP is in line with the new Ecodesign directives, which are characterized by a great efficiency combined with the maximum attention to energy saving. In particular the radiators are at least equipped with: electronic temperature control; open window sensor; weekly program timer.

Thanks to the new fully programmable digital thermostats and sensors present on the radiators, now the new Cordivari ErP electric radiators, heat, efficiency and energy saving are the best allies of your comfort.

## ACCESSORIES



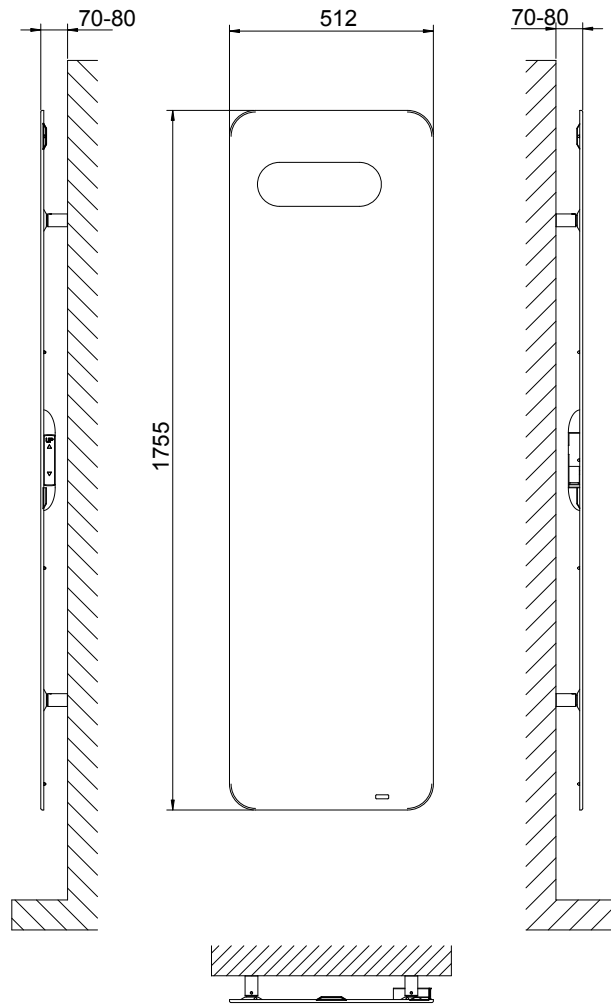
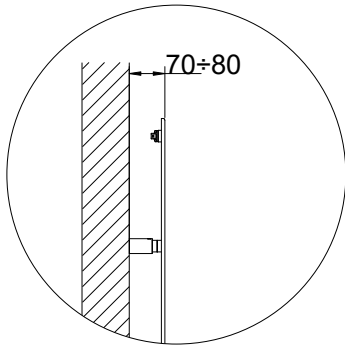
**Straight hanger polished  
stainless steel  
(L= 570 mm)**

Art. Nr. 5991990310240

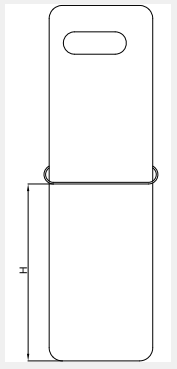


Accessories and spare parts - see from page 328.





HOW TO PLACE  
TOWEL BAR  
BADGE VERTICAL  
(ACCESSORIES)



Model	H
	[mm]
1755x512	<b>870</b>

## BADGE<sup>®</sup> ELECTRIC

Art. Nr.	Height	Width	Thermal output	Weight
	H [mm]	L [mm]	Watt	Kg
CLASS 2 - DIGITAL CHRONO-THERMOSTAT, SCHUKO PLUG, V 230				
3582806100003	<b>1755</b>	512	750	28,5

Art. Nr. are referred to colour WHITE R01 version.



- DIGITAL THERMOSTAT WITH LCD DISPLAY
- DAILY AND WEEKLY PROGRAM SET

INOX STYLE

EXTRASLIM<sup>®</sup>

NEO DESIGN

CLASSIC LINE

GRAPHIC PICTURE

VALVES AND ACCESSORIES  
TECHNICAL SUPPORT



HAND®



PAGE 90

EUROPEAN  
WARRANTY

**MATERIAL:**

Super slim heating body in painted carbon steel.

**FIXING KIT:**

Brackets, airvent, hexagonal tool, plugs and screws for mounting suitable for use on compact or hollow brick, user notice, fixing template scheme. The kit is certified from TÜV in compliance with VDI 6036-class 4.

**VALVE KIT INCLUDES:**

Valves  
Fittings for copper pipe (Ø 12/14/15)  
Fittings for multilayer pipe (Ø 16)

**PACKAGING:**

The radiator is protected by a film in polyethylene and with a carton box. User notice included.

**PAINTING PROCESS:**

Painted with ecological epoxy. (Certificate DIN 55900-1,-2). Thermal outputs certified in accredited laboratories in compliance with European norm EN442.

**COLOURS:**

Radiator and accessories: standard white colour R01.  
For other colours see page 350.

PRODUCT CERTIFICATES



Pression maximale de service: 5 bar

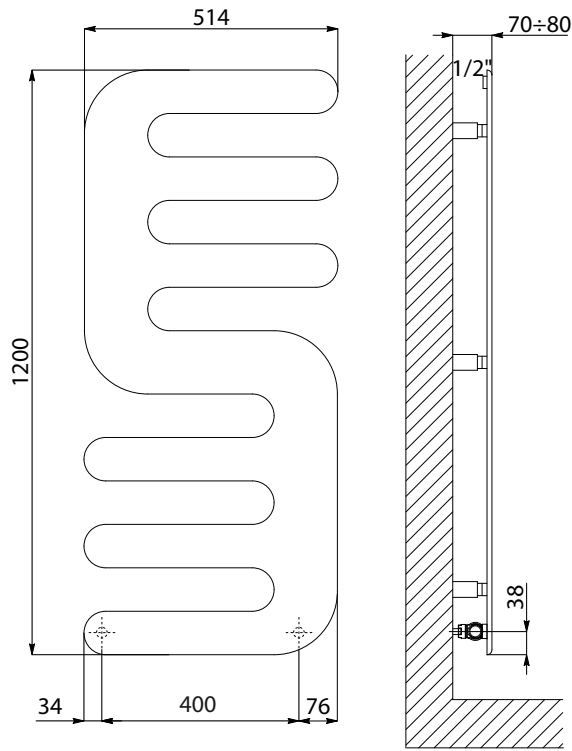
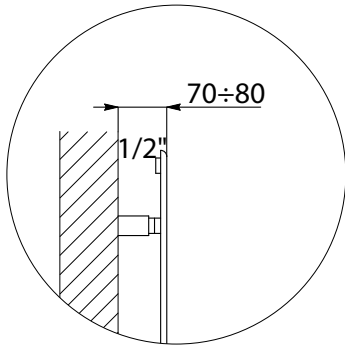
Température maximale de service: 110° C

Available for central heating systems

Connexions: n° 2 x 1/2" gaz - n° 1 x 1/2" gaz

AWARDS





## HAND®

Art. Nr.	Height	Width	Pipe Centres	Dry Weight	Surface	Water Content	Thermal output Watt		Exponent n
	H [mm]	L [mm]	l [mm]	[Kg]	[m <sup>2</sup> ]	[lt]	$\Delta t = 50^{\circ}\text{C}$	$\Delta t = 30^{\circ}\text{C}$	
3540806100011	<b>1200</b>	514	400	15,5	0,76	1,3	490	259	1,2475

Art. Nr. are referred to colour WHITE R01 - version.

Includes valves.

For output at different  $\Delta t$  than  $50^{\circ}\text{C}$ , please refer to the following formula: desired output = output at  $\Delta t 50^{\circ}\text{C}$  x (desired  $\Delta t/50$ )<sup>n</sup>



## HAND<sup>®</sup> CONTROL



PAGE 92

EUROPEAN  
WARRANTY

### MATERIAL:

Super slim heating body in painted carbon steel.

### FIXING KIT:

Brackets, airvent, hexagonal tool, plugs and screws for mounting suitable for use on compact or hollow brick, user notice, fixing template scheme. The kit is certified from TÜV in compliance with VDI 6036-class 4.

### VALVE KIT INCLUDES:

Valves with thermostatic head  
Fittings for copper pipe (Ø 12/14/15)  
Fittings for multilayer pipe (Ø 16)

### PACKAGING:

The radiator is protected by a film in polyethylene and with a carton box. User notice included.

### PAINTING PROCESS:

Painted with ecological epoxy. (Certificate DIN 55900-1,-2). Thermal outputs certified in accredited laboratories in compliance with European norm EN442.

### COLOURS:

Radiator and accessories: standard white colour R01.  
For other colours see page 350.

## PRODUCT CERTIFICATES



Pression maximale de service: 5 bar

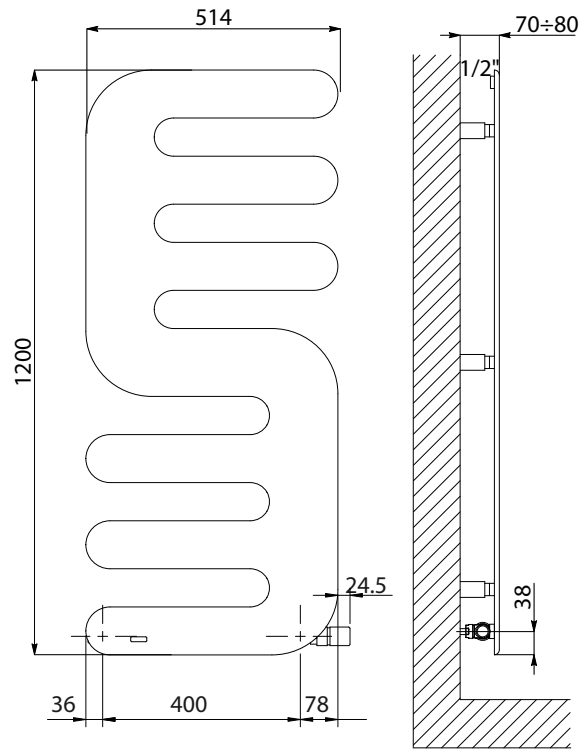
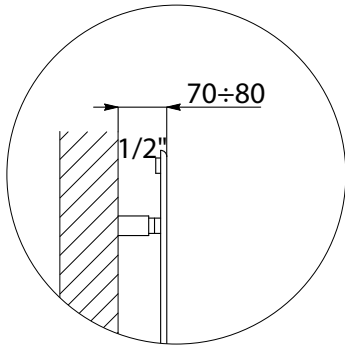
Température maximale de service: 110° C

Available for central heating systems

Connexions: n° 2 x 1/2" gaz - n° 1 x 1/2" gaz

## AWARDS





## HAND<sup>®</sup> CONTROL

Art. Nr.	Height	Width	Pipe Centres	Dry Weight	Surface	Water Content	Thermal output Watt		Exponent n
	H [mm]	L [mm]	l [mm]	[Kg]	[m <sup>2</sup> ]	[lt]	$\Delta t = 50^{\circ}\text{C}$	$\Delta t = 30^{\circ}\text{C}$	
3540806100016	<b>1200</b>	514	400	15,5	0,76	1,3	490	259	1,2475

Art. Nr. are referred to colour WHITE R01 - version.

Include valve kit and thermostatic head, in accordance with EN215:2007.

For output at different  $\Delta t$  than  $50^{\circ}\text{C}$ , please refer to the following formula: desired output = output at  $\Delta t 50^{\circ}\text{C}$  x (desired  $\Delta t/50$ )<sup>n</sup>



# HAND<sup>®</sup> ELECTRIC



PAGE 92



EUROPEAN WARRANTY

### MATERIAL:

Super slim heating body in painted carbon steel.

### FIXING KIT:

Brackets, hexagonal tool, plugs and screws for mounting suitable for use on compact or hollow brick, user notice.

The kit is certified from TÜV in compliance with VDI 6036-class 4.

### PACKAGING:

The radiator is protected by a film in polyethylene and with a carton box. User notice included.

### PAINTING PROCESS:

Painted with ecological epoxy. (Certificate DIN 55900-1,-2).

### COLOURS:

Radiator and accessories: standard white colour R01. For other colours see page 350.

## PRODUCT CERTIFICATES



Electrical resistors: CLASS 2

Minimum class protection: IP 44

Seasonal energy efficiency  $\eta_s$ :  $\geq 38\%$

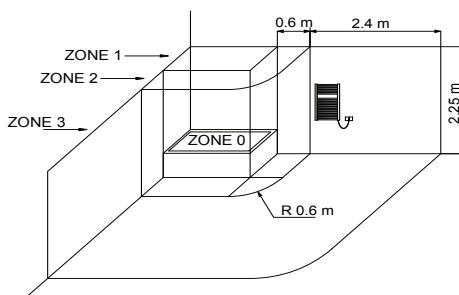
Wire Length: 1200 mm with Schuko plug

Electrical only: Digital Chrono-thermostat

## AWARDS



## HOW TO PLACE ELECTRIC RADIATORS



The national rules on installing electrical equipment in the bathroom must be scrupulously respected. The electric radiators must be always installed outside zone 1 and 2.

In particular the electric switch and control elements must be mandatorily located in zone 3, in order that no electrical control center is accessible to anyone using the shower or bath.



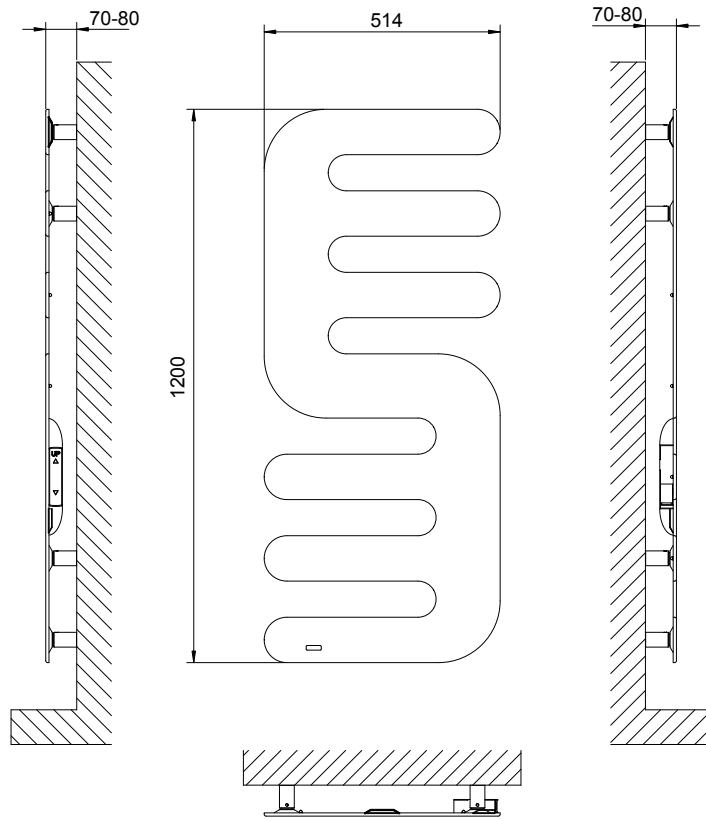
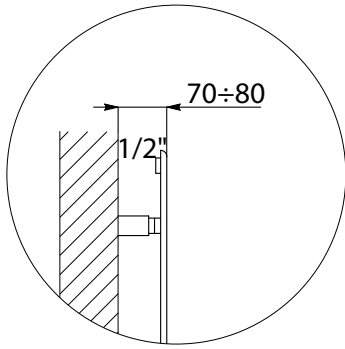
All Cordivari electric radiators are in line with the new European regulation UE 2015/1188. The new regulation imposes a seasonal energy efficiency of electrical appliances for ambient heating with a nominal thermal output over 250 W and not less than 38%.

The seasonal energy efficiency of ambient heating ( $\eta_s$ ) is expressed with the ratio between the demand of ambient heating supplied by a heating appliance and the annual energy consumption required to meet this demand, expressed as percentage. The Cordivari ErP is in line with the new Ecodesign directives, which are characterized by a great efficiency combined with the maximum attention to energy saving. In particular the radiators are at least equipped with: electronic temperature control; open window sensor; weekly program timer.

Thanks to the new fully programmable digital thermostats and sensors present on the radiators, now the new Cordivari ErP electric radiators, heat, efficiency and energy saving are the best allies of your comfort.



- DIGITAL THERMOSTAT WITH LCD DISPLAY
- DAILY AND WEEKLY PROGRAM SET



## HAND<sup>®</sup> ELECTRIC

Art. Nr.	Height	Width	Thermal output	Weight
	H [mm]	L [mm]	Watt	Kg
CLASS 2 - DIGITAL CHRONO-THERMOSTAT, SCHUKO PLUG, V 230				
3582806100201	<b>1200</b>	514	500	15,5

Art. Nr. are referred to colour WHITE R01 version.

INOX STYLE

EXTRASLIM<sup>®</sup>

NEO DESIGN

CLASSIC LINE

GRAPHIC PICTURE

VALVES AND ACCESSORIES  
TECHNICAL SUPPORT



## E.SIGN



PAGE 94

EUROPEAN  
WARRANTY

### MATERIAL:

Super slim heating body in painted carbon steel.

### FIXING KIT:

Brackets, airvent, hexagonal tool, plugs and screws for mounting suitable for use on compact or hollow brick, user notice.

The kit is certified from TÜV in compliance with VDI 6036-class 4.

### VALVE KIT INCLUDES:

Valves with thermostatic head

Fittings for copper pipe (Ø 12/14/15)

Fittings for multilayer pipe (Ø 16)

### PACKAGING:

The radiator is protected by a film in polyethylene and with a carton box. User notice included.

### PAINTING PROCESS:

Painted with ecological epoxy. (Certificate DIN 55900-1,-2).

Thermal outputs certified in accredited laboratories in compliance with European norm EN442.

### COLOURS:

Radiator and accessories: standard white colour R01.

For other colours see page 350.

## PRODUCT CERTIFICATES



Pression maximale de service: 5 bar

Température maximale de service: 110° C

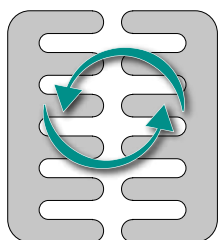
Available for central heating systems

Connexions: n° 2 x 1/2" gaz - n° 2 x 1/2" gaz

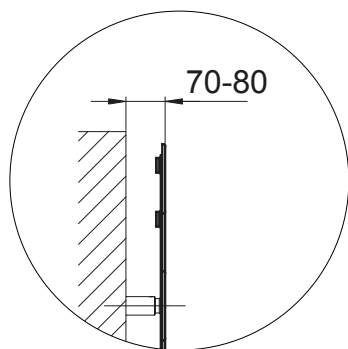
## AWARDS



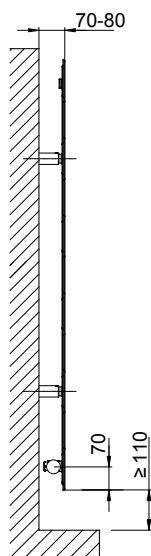
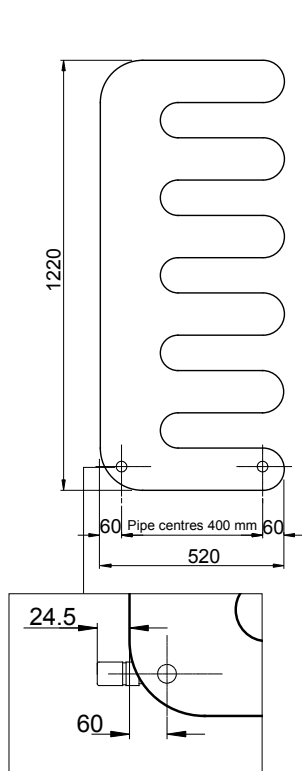
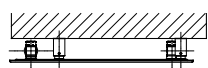
## REVERSIBLE





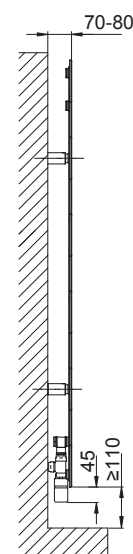
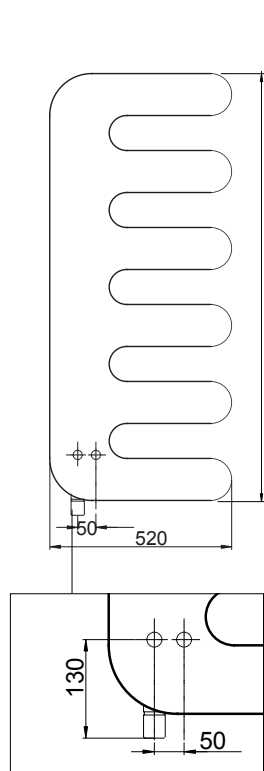


E.SIGN



E.SIGN

PIPE CENTRES 50 MM



## E.SIGN

Art. Nr.	Height	Width	Pipe Centres	Dry Weight	Surface	Water Content	Thermal output Watt		Exponent n
	H [mm]	L [mm]	I [mm]	[Kg]	[m <sup>2</sup> ]	[lt]	$\Delta t = 50^{\circ}\text{C}$	$\Delta t = 30^{\circ}\text{C}$	
3540806100210	<b>1220</b>	520	400	16,2	0,9	1,3	508	272	1,2225

Art. Nr. are referred to colour WHITE R01 - version.

Include valve kit and thermostatic head, in accordance with EN215:2007.

## E.SIGN PIPE CENTRES 50 MM

Art. Nr.	Height	Width	Pipe Centres	Dry Weight	Surface	Water Content	Thermal output Watt		Exponent n
	H [mm]	L [mm]	I [mm]	[Kg]	[m <sup>2</sup> ]	[lt]	$\Delta t = 50^{\circ}\text{C}$	$\Delta t = 30^{\circ}\text{C}$	
3540806100220	<b>1220</b>	520	50	16,2	0,9	1,3	508	272	1,2225

Art. Nr. are referred to colour WHITE R01 - version.

Include valve kit and thermostatic head, in accordance with EN215:2007.

For output at different  $\Delta t$  than  $50^{\circ}\text{C}$ , please refer to the following formula: desired output = output at  $\Delta t 50^{\circ}\text{C} \times (\text{desired } \Delta t / 50)^n$



# MOVIE®

design **Mariano Moroni**



PAGE 98

**EUROPEAN  
WARRANTY**

#### **MATERIAL:**

Super slim heating body in painted carbon steel.

#### **FIXING KIT:**

Brackets, airvent, hexagonal tool, plugs and screws for mounting suitable for use on compact or hollow brick, user notice.

The kit is certified from TÜV in compliance with VDI 6036-class 4.

#### **VALVE KIT INCLUDES:**

Valves

Fittings for copper pipe (Ø 12/14/15)

Fittings for multilayer pipe (Ø 16)

#### **PACKAGING:**

The radiator is protected by a film in polyethylene and with a carton box. User notice included.

#### **PAINTING PROCESS:**

Painted with ecological epoxy. (Certificate DIN 55900-1,-2).

Thermal outputs certified in accredited laboratories in compliance with European norm EN442.

#### **COLOURS:**

Radiator and accessories: standard white colour R01.

For other colours see page 350.

## PRODUCT CERTIFICATES



Pression maximale de service: 5 bar

Température maximale de service: 110° C

Available for central heating systems

Connexions: n° 2 x 1/2" gaz - n° 2 x 1/2" gaz

## AWARD

## COMFORT & DESIGN

NOMINÉ

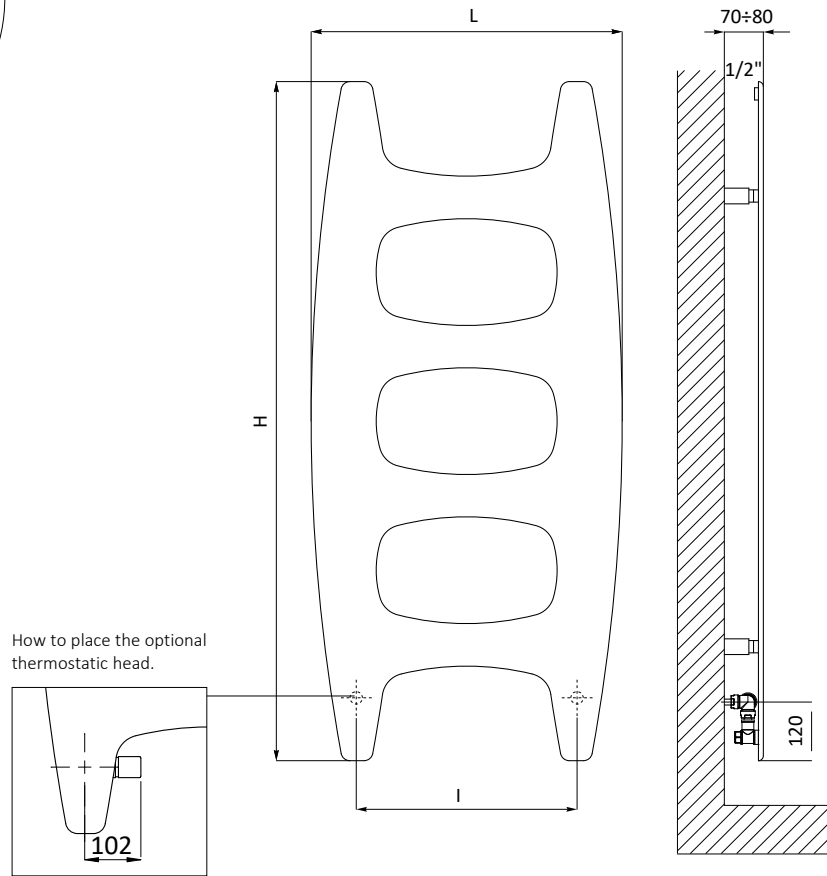
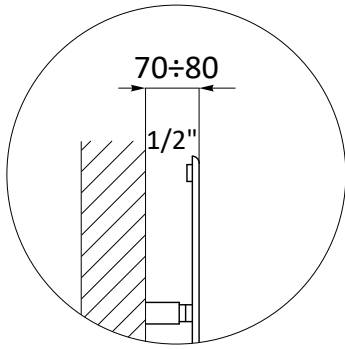
## ACCESSORIES



**Liquid thermostatic head  
- polished**

Art. Nr. 5035270710002

Accessories and spare parts - see from page 328.



## MOVIE®

Art. Nr.	Height	Width	Pipe Centres	Dry Weight	Surface	Water Content	Thermal output Watt		Exponent n
	H [mm]	L [mm]	I [mm]	[Kg]	[m <sup>2</sup> ]	[lt]	$\Delta t = 50^{\circ}\text{C}$	$\Delta t = 30^{\circ}\text{C}$	
3540806100002	<b>1130</b>	510	360 ÷ 400	15	0,6	1,1	385	209	1,1958
3540806100001	<b>1392</b>	642	450	18	0,92	1,3	559	300	1,2202

Art. Nr. are referred to colour WHITE R01 version.

Includes valves.

For output at different  $\Delta t$  than  $50^{\circ}\text{C}$ , please refer to the following formula: desired output = output at  $\Delta t 50^{\circ}\text{C}$  x (desired  $\Delta t/50$ )<sup>n</sup>



# MOVIE® ELECTRIC

design **Mariano Moroni**



PAGE 100

**EUROPEAN  
WARRANTY**

#### MATERIAL:

Super slim heating body in painted carbon steel.

#### FIXING KIT:

Brackets, hexagonal tool, plugs and screws for mounting suitable for use on compact or hollow brick, user notice.

The kit is certified from TÜV in compliance with VDI 6036-class 4.

#### PAINTING PROCESS:

Painted with ecological epoxy. (Certificate DIN 55900-1,-2).

#### COLOURS:

Radiator and accessories: standard white colour R01.  
For other colours see page 350.

#### PACKAGING:

The radiator is protected by a film in polyethylene and with a carton box.  
User notice included.

## PRODUCT CERTIFICATES



Electrical resistors: CLASS 2

Minimum class protection: IP 44

Seasonal energy efficiency  $\eta_s$ :  $\geq 38\%$

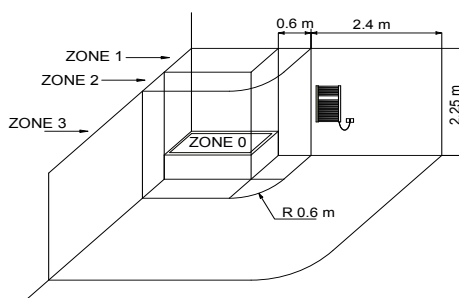
Wire Length: 1200 mm with Schuko plug

Electrical only: Digital Chrono-thermostat

## AWARD

**COMFORT & DESIGN**  
NOMINÉ

## HOW TO PLACE ELECTRIC RADIATORS



The national rules on installing electrical equipment in the bathroom must be scrupulously respected. The electric radiators must be always installed outside zone 1 and 2.

In particular the electric switch and control elements must be mandatorily located in zone 3, in order that no electrical control center is accessible to anyone using the shower or bath.



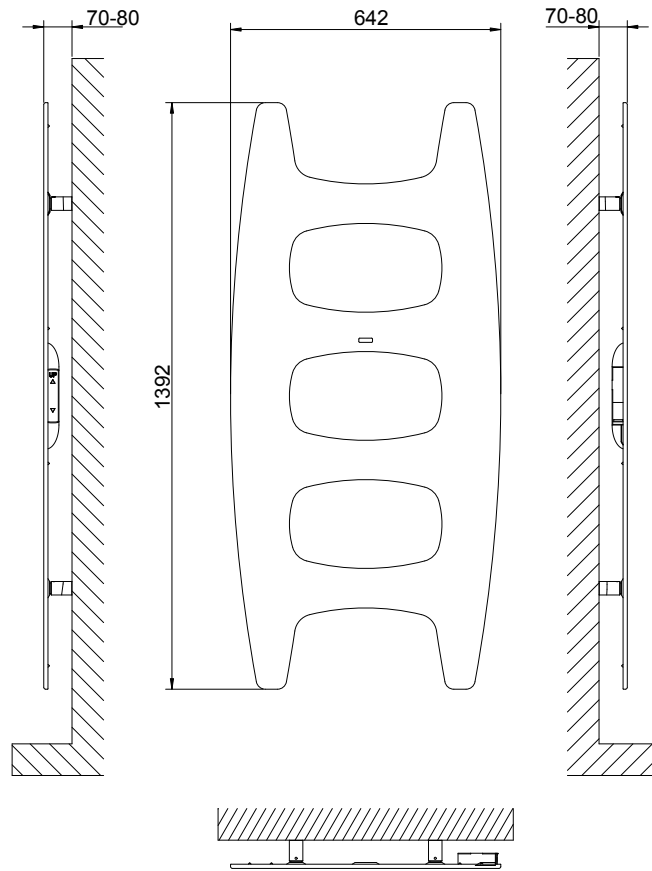
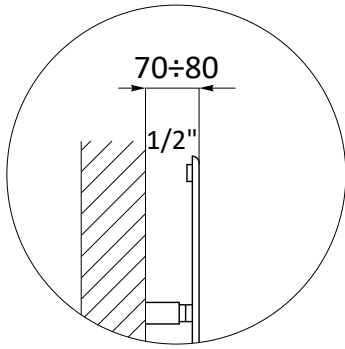
All Cordivari electric radiators are in line with the new European regulation UE 2015/1188. The new regulation imposes a seasonal energy efficiency of electrical appliances for ambient heating with a nominal thermal output over 250 W and not less than 38%.

The seasonal energy efficiency of ambient heating ( $\eta_s$ ) is expressed with the ratio between the demand of ambient heating supplied by a heating appliance and the annual energy consumption required to meet this demand, expressed as percentage. The Cordivari ErP is in line with the new Ecodesign directives, which are characterized by a great efficiency combined with the maximum attention to energy saving. In particular the radiators are at least equipped with: electronic temperature control; open window sensor; weekly program timer.

Thanks to the new fully programmable digital thermostats and sensors present on the radiators, now the new Cordivari ErP electric radiators, heat, efficiency and energy saving are the best allies of your comfort.



- **DIGITAL THERMOSTAT WITH LCD DISPLAY**
- **DAILY AND WEEKLY PROGRAM SET**



**MOVIE<sup>®</sup>** ELECTRIC

Art. Nr.	Height	Width	Thermal output	Weight
	H [mm]	L [mm]	Watt	Kg
CLASS 2 - DIGITAL CHRONO-THERMOSTAT, SCHUKO PLUG, V 230				
3582806100101	<b>1392</b>	642	640	18

Art. Nr. are referred to colour WHITE R01 version.

INOX STYLE

EXTRASLIM<sup>®</sup>

NEO DESIGN

CLASSIC LINE

GRAPHIC PICTURE

VALVES AND ACCESSORIES  
TECHNICAL SUPPORT



# JUNGLE®

design **Mariano Moroni**



PAGE 102

**EUROPEAN  
WARRANTY**

### MATERIAL:

Super slim heating body in painted carbon steel.

### FIXING KIT:

Brackets, airvent, hexagonal tool, plugs and screws for mounting suitable for use on compact or hollow brick, user notice.

The kit is certified from TÜV in compliance with VDI 6036-class 4.

### VALVE KIT INCLUDES:

Valves

Fittings for copper pipe (Ø 12/14/15)

Fittings for multilayer pipe (Ø 16)

### PACKAGING:

The radiator is protected by a film in polyethylene and with a carton box. User notice included.

### PAINTING PROCESS:

Painted with ecological epoxy. (Certificate DIN 55900-1,-2).

Thermal outputs certified in accredited laboratories in compliance with European norm EN442.

### COLOURS:

Radiator and accessories: standard white colour R01.

For other colours see page 350.

## PRODUCT CERTIFICATES



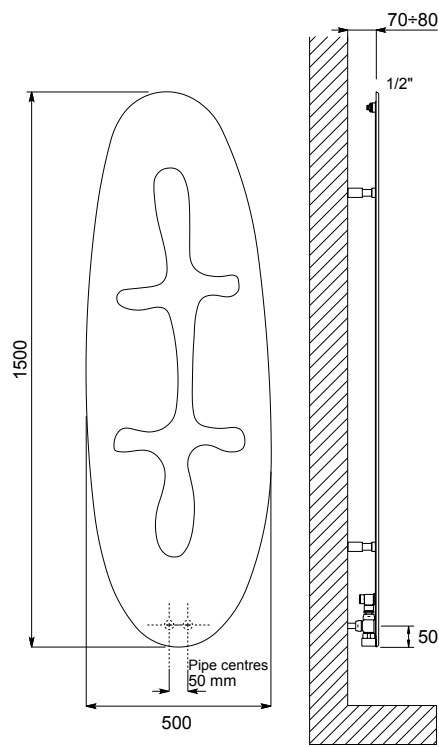
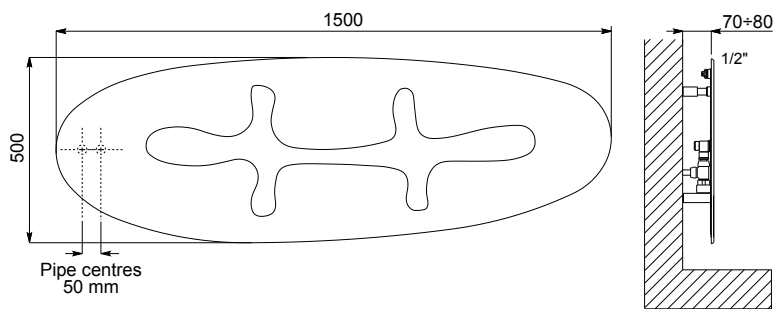
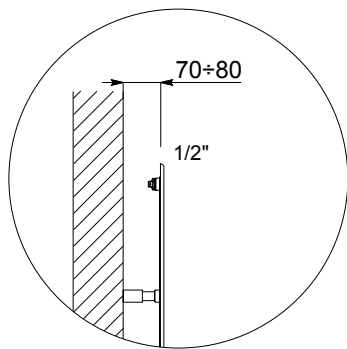
Pression maximale de service: 5 bar

Température maximale de service: 110° C

Available for central heating systems

Connexions: n° 2 x 1/2" gaz - n° 1 x 1/2" gaz





## JUNGLE®

Art. Nr.	Height		Width		Pipe Centres	Dry Weight	Surface	Water Content	Thermal output Watt		Exponent n
	H [mm]	L [mm]	L [mm]	I [mm]	$\Delta t = 50^{\circ}\text{C}$				$\Delta t = 30^{\circ}\text{C}$		
3540806100060	<b>1500</b>	500	500	50	19	0,92	1	557	296	1,2355	
3540806100065	<b>500</b>	1500	500	50	19	0,92	1	573	310	1,2005	

Art. Nr. are referred to colour WHITE R01 version.

Includes valves.

For output at different  $\Delta t$  than  $50^{\circ}\text{C}$ , please refer to the following formula: desired output = output at  $\Delta t 50^{\circ}\text{C}$  x (desired  $\Delta t/50$ )<sup>n</sup>



# JUNGLE<sup>®</sup> CONTROL

design **Mariano Moroni**



PAGE 106

**EUROPEAN  
WARRANTY**

#### **MATERIAL:**

Super slim heating body in painted carbon steel.

#### **FIXING KIT:**

Brackets, airvent, hexagonal tool, plugs and screws for mounting suitable for use on compact or hollow brick, user notice.

The kit is certified from TÜV in compliance with VDI 6036-class 4.

#### **VALVE KIT INCLUDES:**

Valves with thermostatic head  
Fittings for copper pipe (Ø 12/14/15)  
Fittings for multilayer pipe (Ø 16)

#### **PACKAGING:**

The radiator is protected by a film in polyethylene and with a carton box. User notice included.

#### **PAINTING PROCESS:**

Painted with ecological epoxy. (Certificate DIN 55900-1,-2).  
Thermal outputs certified in accredited laboratories in compliance with European norm EN442.

#### **COLOURS:**

Radiator and accessories: standard white colour R01.  
For other colours see page 350.

## PRODUCT CERTIFICATES



Pression maximale de service: 5 bar

Température maximale de service: 110° C

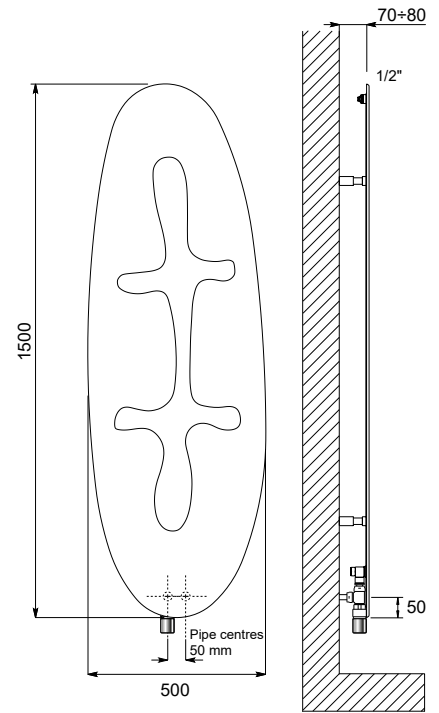
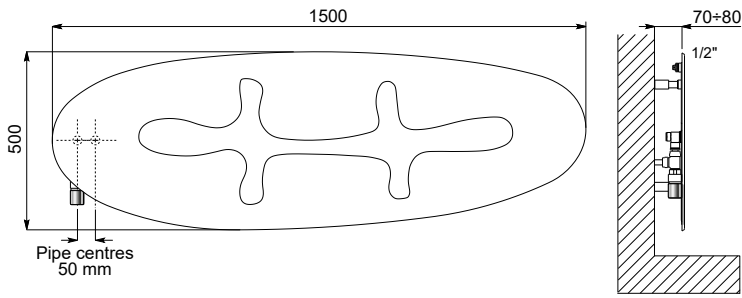
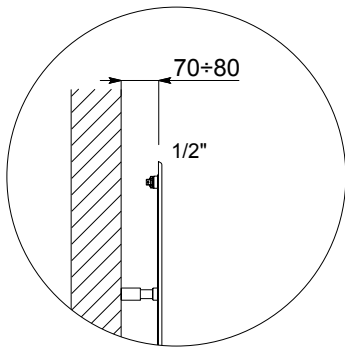
Available for central heating systems

Connexions: n° 2 x 1/2" gaz - n° 1 x 1/2" gaz



Accessories and spare parts - see from page 328.





## JUNGLE<sup>®</sup> CONTROL

Art. Nr.	Height		Width	Pipe Centres	Dry Weight	Surface	Water Content	Thermal output Watt		Exponent n
	H [mm]	L [mm]						$\Delta t = 50^{\circ}\text{C}$	$\Delta t = 30^{\circ}\text{C}$	
3540806100070	<b>1500</b>	500	50	50	19	0,92	1	557	296	1,2355
3540806100075	<b>500</b>	1500	50	50	19	0,92	1	573	310	1,2005

Art. Nr. are referred to colour WHITE R01 version.

Include valve kit and thermostatic head, in accordance with EN215:2007.

For output at different  $\Delta t$  than  $50^{\circ}\text{C}$ , please refer to the following formula:  $\text{desired output} = \text{output at } \Delta t 50^{\circ}\text{C} \times (\text{desired } \Delta t / 50)^n$



# FRAME INOX VERTICAL



PAGE 110

EUROPEAN  
WARRANTY

## MATERIAL:

Horizontal collector in painted carbon steel with  $\varnothing$  of 30 mm.  
Heating elements in painted carbon steel.  
Heating plate in polished stainless steel.

## FIXING KIT:

Brackets, airvent, hexagonal tool, plugs and screws for mounting suitable for use on compact or hollow brick, user notice.  
The kit is certified from TÜV in compliance with VDI 6036-class 4.

## PACKAGING:

The radiator is protected by a film in polyethylene and with a carton box.  
User notice included.

## FEATURES:

Heating plate is totally made in stainless steel with an unalterable finishing.  
Brightness guaranteed during the years.

## PRODUCT CERTIFICATES



Pression maximale de service: 5 bar

Température maximale de service: 110° C

Available for central heating systems

Connexions: n° 2 x 1/2" gaz - n° 1 x 1/8" gaz

## HOW TO ORDER THE VERTICAL FRAME INOX RADIATORS

### ARTICLE CODE STRUCTURE

Radiator model	Radiator dimensions	Article code of the connection	Article code of the color / finish	Constant value
AAAA	BBB CC	DDD	EEE	B

### Example

Radiator model	Radiator dimensions	Article code of the connection	Article code of the finish	Constant value
FRST	464 18	V09	X01	B

### EXAMPLE OF ARTICLE CODE CREATION

In case of a FRAME INOX VT 464x1822 mm radiator with V09 connection.

The article code will be:

**FRST 464 18 V09 X01 B**

## ACCESSORIES



### Elegant square manual polished valve kit

Copper connection  $\varnothing$  12/14/15  
Art. Nr. 5991990301084

Multilayer connection  $\varnothing$  16  
Art. Nr. 5991990301083



### Elegant square polished valve kit pipe centres 50 mm with thermostatic head - right

Copper connection  $\varnothing$  12/14/15  
Art. Nr. 5991990301076

Multilayer connection  $\varnothing$  16  
Art. Nr. 5991990301075



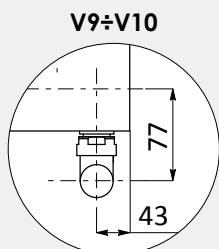
### Straight hanger polished FOR MODELS

L. 352 (L= 404 mm)  
Art. Nr. 5991990300187

L. 464 (L= 516 mm)  
Art. Nr. 5991990300183

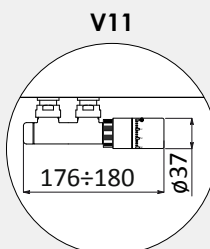
L. 576 (L= 628 mm)  
Art. Nr. 5991990300184

L. 688 (L= 740 mm)  
Art. Nr. 5991990300188



V9÷V10

Measures for Elegant square manual valve



V11

Measures for valves type Cordivari Elegant Square with thermostatic head and pipe centres 50 mm



### Kit 3 Straight hanger polished FOR MODELS

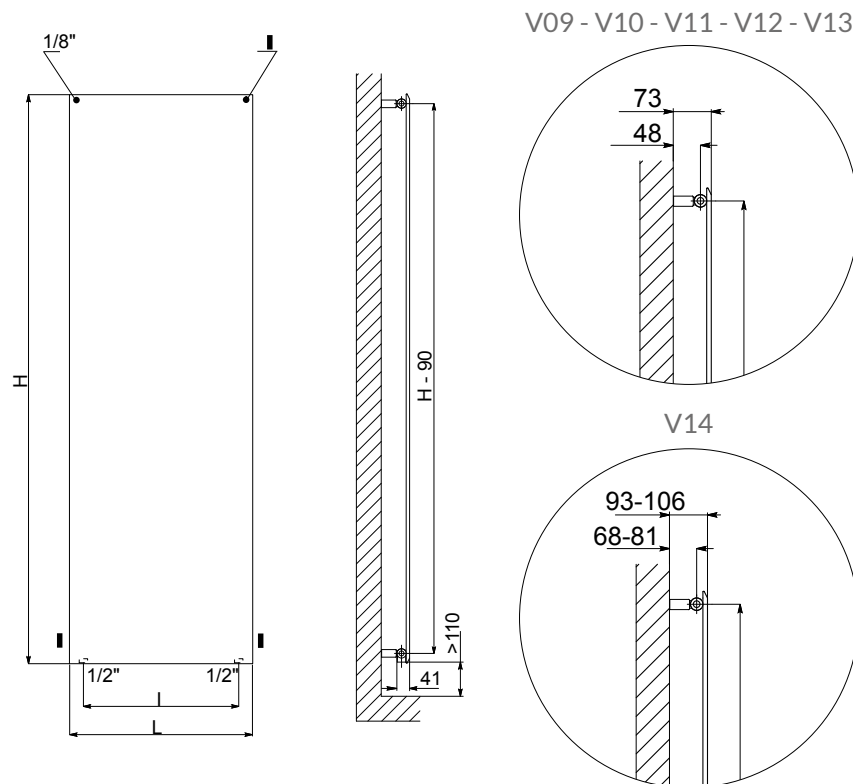
L. 352 (L= 404 mm)  
Art. Nr. 5991990300189

L. 464 (L= 516 mm)  
Art. Nr. 5991990300185

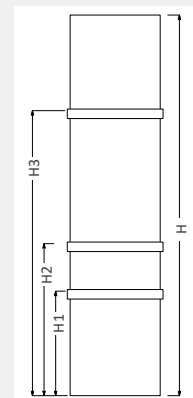
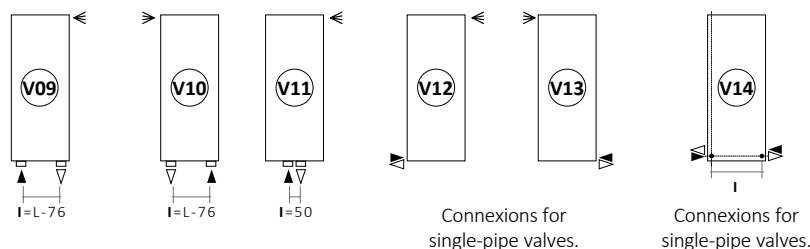
L. 576 (L= 628 mm)  
Art. Nr. 5991990300186

L. 688 (L= 740 mm)  
Art. Nr. 5991990300190

Accessories and spare parts - see from page 328.

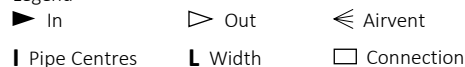

**POSITIONING OF  
TOWEL BAR  
(ACCESSORIES)**

H	H1	H2	H3
[mm]			
<b>1022</b>	300	500	800
<b>1222</b>	400	600	1000
<b>1422</b>	400	700	1200
<b>1622</b>	500	800	1300
<b>1822</b>	500	800	1400
<b>2022</b>	500	800	1500


**Standard Connexions**


Always specify the kind of connection needed when ordering (V09 - V10 - V11 - V12 - V13 - V14).

Legend =


**FRAME INOX VERTICAL - POLISHED STAINLESS STEEL**

**DDD:** replace with the type of connection.

Art. Nr.	Height	Width	Pipe Centres (V09- V10)	Pipe Centres (V14)	Dry Weight	Surface	Water Content	Thermal output Watt		Exponent n
	H [mm]	L [mm]	l [mm]	l [mm]				$\Delta t = 50^{\circ}\text{C}$	$\Delta t = 30^{\circ}\text{C}$	
FRST 352 10 DDD X01 B	<b>1022</b>	352	276	168	7,2	0,75	2,64	381	197	1,2894
FRST 464 10 DDD X01 B		464	388	280	9,7	0,98	3,5	499	258	1,2894
FRST 576 10 DDD X01 B		576	500	392	12	1,21	4,4	617	319	1,2894
FRST 688 10 DDD X01 B		688	612	504	14,6	1,44	5,2	735	380	1,2894
FRST 352 12 DDD X01 B	<b>1222</b>	352	276	168	8,6	0,89	3,02	455	236	1,2881
FRST 464 12 DDD X01 B		464	388	280	11,4	1,17	4	596	309	1,2881
FRST 576 12 DDD X01 B		576	500	392	14	1,44	5,1	736	381	1,2881
FRST 688 12 DDD X01 B		688	612	504	17,2	1,72	6,1	877	454	1,2881
FRST 352 14 DDD X01 B	<b>1422</b>	352	276	168	9,9	1,04	3,5	529	274	1,2867
FRST 464 14 DDD X01 B		464	388	280	13,2	1,36	4,6	692	359	1,2867
FRST 576 14 DDD X01 B		576	500	392	16,5	1,68	5,9	856	444	1,2867
FRST 688 14 DDD X01 B		688	612	504	19,8	2,00	7,00	1020	529	1,2867
FRST 352 16 DDD X01 B	<b>1622</b>	352	276	168	11,2	1,16	3,8	595	309	1,2854
FRST 464 16 DDD X01 B		464	388	280	14,9	1,55	5,2	789	409	1,2854
FRST 576 16 DDD X01 B		576	500	392	18,6	1,94	6,8	976	506	1,2854
FRST 352 18 DDD X01 B	<b>1822</b>	352	276	168	12,5	1,33	4,37	676	351	1,2840
FRST 464 18 DDD X01 B		464	388	280	16,6	1,74	5,8	880	457	1,2840
FRST 576 18 DDD X01 B		576	500	392	20,9	2,15	7,2	1100	571	1,2840
FRST 688 18 DDD X01 B		688	612	504	25	2,56	8,7	1304	677	1,2840
FRST 352 20 DDD X01 B	<b>2022</b>	352	276	168	13,5	1,47	4,85	750	390	1,2826
FRST 464 20 DDD X01 B		464	388	280	18,4	1,93	6,4	978	508	1,2826
FRST 576 20 DDD X01 B		576	500	392	23	2,38	8	1222	635	1,2826
FRST 688 20 DDD X01 B		688	612	504	27,6	2,84	9,6	1447	751	1,2826

For output at different  $\Delta t$  than  $50^{\circ}\text{C}$ , please refer to the following formula: desired output = output at  $\Delta t 50^{\circ}\text{C} \times (\text{desired } \Delta t/50)^n$



# FRAME INOX PLUS VERTICAL



PAGE 110

EUROPEAN  
WARRANTY

## MATERIAL:

Horizontal collector in painted carbon steel with  $\varnothing$  of 30 mm  
Heating elements in painted carbon steel  
Heating plate in polished stainless steel

## FIXING KIT:

Brackets, airvent, hexagonal tool, plugs and screws for mounting suitable for use on compact or hollow brick, user notice.

## PACKAGING:

The radiator is protected by a film in polyethylene and with a carton box.  
User notice included.

## FEATURES:

Heating plate is totally made in stainless steel with an unalterable finishing.  
Brightness guaranteed during the years.

## PRODUCT CERTIFICATES



Pression maximale de service: 5 bar

Température maximale de service: 110° C

Available for central heating systems

Connexions: n° 2 x 1/2" gaz - n° 1 x 1/8" gaz

## HOW TO ORDER THE VERTICAL FRAME INOX PLUS RADIATORS

### ARTICLE CODE STRUCTURE

Radiator model	Radiator dimensions	Article code of the connection	Article code of the color / finish	Constant value
AAAA	BBB CC	DDD	EEE	B

### Example

Radiator model	Radiator dimensions	Article code of the connection	Article code of the finish	Constant value
Example: Frame radiator Plus	Example: mm 464x1822	Example: connection V09	Example: Polished stainless steel	
FRPL	464 18	V09	X01	B

### EXAMPLE OF ARTICLE CODE CREATION

In case of a FRAME INOX PLUS VT 464x1822 mm radiator with V09 connection.

The article code will be:

**FRPL 464 18 V09 X01 B**

## ACCESSORIES



### Elegant square manual polished valve kit

Copper connection  $\varnothing$  12/14/15  
Art. Nr. 5991990301084

Multilayer connection  $\varnothing$  16  
Art. Nr. 5991990301083



### Elegant square polished valve kit pipe centres 50 mm with thermostatic head - right

Copper connection  $\varnothing$  12/14/15  
Art. Nr. 5991990301076

Multilayer connection  $\varnothing$  16  
Art. Nr. 5991990301075



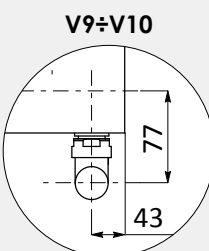
### Straight hanger polished FOR MODELS

L. 352 (L= 404 mm)  
Art. Nr. 5991990300187

L. 464 (L= 516 mm)  
Art. Nr. 5991990300183

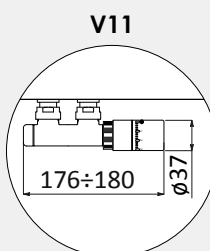
L. 576 (L= 628 mm)  
Art. Nr. 5991990300184

L. 688 (L= 740 mm)  
Art. Nr. 5991990300188



V9÷V10

Measures for Elegant square manual valve



V11

Measures for valves type Cordivari Elegant Square with thermostatic head and pipe centres 50 mm



### Kit 3 Straight hanger polished FOR MODELS

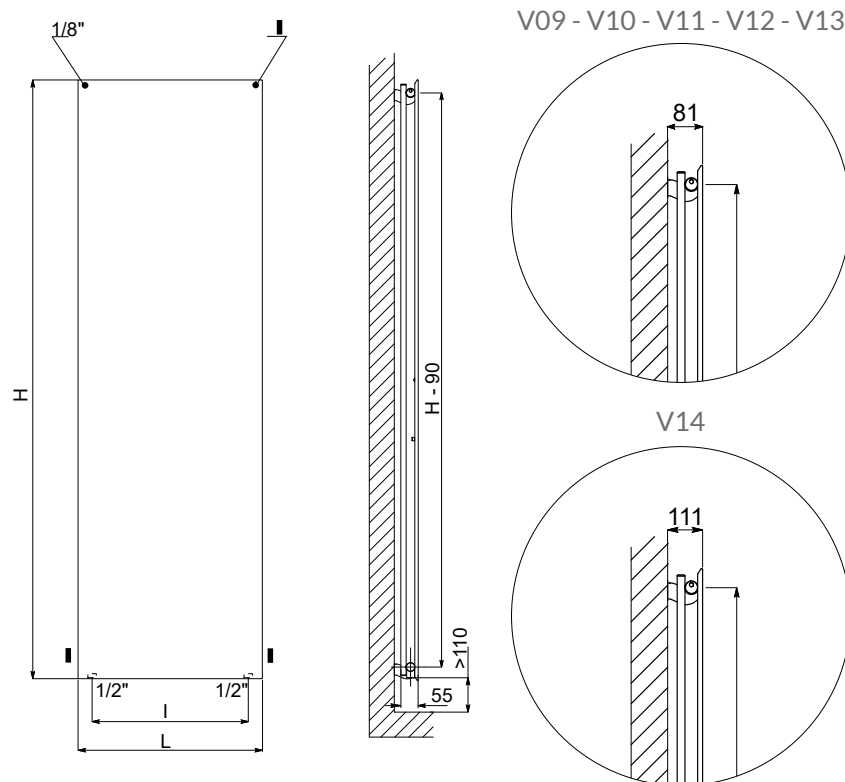
L. 352 (L= 404 mm)  
Art. Nr. 5991990300189

L. 464 (L= 516 mm)  
Art. Nr. 5991990300185

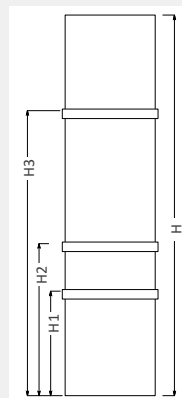
L. 576 (L= 628 mm)  
Art. Nr. 5991990300186

L. 688 (L= 740 mm)  
Art. Nr. 5991990300190

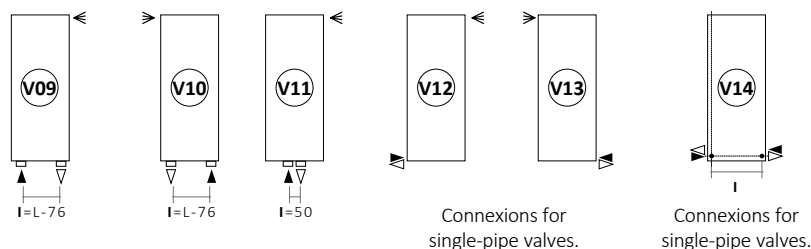
Accessories and spare parts - see from page 328.

POSITIONING OF  
TOWEL BAR  
(ACCESSORIES)

H	H1	H2	H3
[mm]			
<b>1022</b>	300	500	800
<b>1222</b>	400	600	1000
<b>1422</b>	400	700	1200
<b>1622</b>	500	800	1300
<b>1822</b>	500	800	1400
<b>2022</b>	500	800	1500



## Standard Connexions



Always specify the kind of connection needed when ordering (V09 - V10 - V11 - V12 - V13 - V14).

Legend =

▶ In      ▷ Out      ≪ Airvent  
 | Pipe Centres      L Width      □ Connection

## FRAME INOX PLUS VERTICAL - POLISHED STAINLESS STEEL

DDD: replace with the type of connection.

Art. Nr.	Height	Width	Pipe Centres (V09 - V10)	Pipe Centres (V14)	Dry Weight [Kg]	Surface [m <sup>2</sup> ]	Water Content [lt]	Thermal output Watt		Exponent n
	H [mm]	L [mm]	I [mm]	I [mm]				Δt = 50°C	Δt = 30°C	
FRPL 352 10 DDD X01 B	<b>1022</b>	352	276	168	14,3	1,35	4,5	580	296	1,3152
FRPL 464 10 DDD X01 B		464	388	280	20,2	1,84	6,3	790	404	1,3152
FRPL 576 10 DDD X01 B		576	500	392	25,0	2,32	7,8	999	510	1,3152
FRPL 688 10 DDD X01 B		688	612	504	28,6	2,81	9,0	1209	618	1,3152
FRPL 352 12 DDD X01 B	<b>1222</b>	352	276	168	17,1	1,61	5,3	691	353	1,3135
FRPL 464 12 DDD X01 B		464	388	280	24,1	2,19	7,5	940	481	1,3135
FRPL 576 12 DDD X01 B		576	500	392	29,8	2,77	9,3	1190	608	1,3135
FRPL 688 12 DDD X01 B		688	612	504	34,2	3,35	10,7	1439	736	1,3135
FRPL 352 14 DDD X01 B	<b>1422</b>	352	276	168	19,9	1,86	6,2	801	415	1,2867
FRPL 464 14 DDD X01 B		464	388	280	28,0	2,54	8,8	1091	565	1,2867
FRPL 576 14 DDD X01 B		576	500	392	34,7	3,21	10,8	1381	716	1,2867
FRPL 688 14 DDD X01 B		688	612	504	39,7	3,88	12,4	1670	865	1,2867
FRPL 352 16 DDD X01 B	<b>1622</b>	352	276	168	23,9	2,17	7,5	930	476	1,3117
FRPL 464 16 DDD X01 B		464	388	280	31,9	2,89	10,0	1241	635	1,3117
FRPL 576 16 DDD X01 B		576	500	392	39,8	3,61	12,5	1551	794	1,3117
FRPL 352 18 DDD X01 B	<b>1822</b>	352	276	168	25,4	2,38	7,9	1022	523	1,3105
FRPL 464 18 DDD X01 B		464	388	280	35,7	3,24	11,2	1455	745	1,3105
FRPL 576 18 DDD X01 B		576	500	392	45,1	4,10	13,7	1819	931	1,3105
FRPL 688 18 DDD X01 B		688	612	504	50,8	4,96	15,9	2132	1092	1,3105
FRPL 352 20 DDD X01 B	<b>2022</b>	352	276	168	28,2	2,63	8,8	1133	580	1,3093
FRPL 464 20 DDD X01 B		464	388	280	39,5	3,59	12,3	1568	803	1,3093
FRPL 576 20 DDD X01 B		576	500	392	49,9	4,54	15,0	1960	1004	1,3093
FRPL 688 20 DDD X01 B		688	612	504	56,4	5,49	17,6	2363	1211	1,3093

For output at different Δt than 50°C, please refer to the following formula: desired output = output at Δt 50°C x (desired Δt/50)<sup>n</sup>



# FRAME INOX<sup>HORIZONTAL</sup>



PAGE 112

**EUROPEAN  
WARRANTY**

## MATERIAL:

Vertical collectors in painted carbon steel with  $\varnothing$  of 30 mm  
Heating elements in painted carbon steel  
Heating plate in polished stainless steel

## FIXING KIT:

Brackets, airvent, hexagonal tool, plugs and screws for mounting suitable for use on compact or hollow brick, user notice.  
The kit is certified from TÜV in compliance with VDI 6036-class 4.

## PACKAGING:

The radiator is protected by a film in polyethylene and with a carton box.  
User notice included.

## FEATURES:

Heating plate is totally made in stainless steel with an unalterable finishing.  
Brightness guaranteed during the years.

## PRODUCT CERTIFICATES



Pression maximale de service: 5 bar

Température maximale de service: 110° C

Available for central heating systems

Connexions: n° 2 x 1/2" gaz - n° 1 x 1/2" gaz

## HOW TO ORDER THE HORIZONTAL FRAME INOX RADIATORS

### ARTICLE CODE STRUCTURE

Radiator model	Radiator dimensions	Article code of the connection	Article code of the color / finish	Constant value
AAAA	BBB CC	DDD	EEE	B

### Example

Radiator model Example: Frame radiator	Radiator dimensions Example: mm 464x1822	Article code of the connection Example: H01	Article code of the finish Example: Polished stainless steel	Constant value
FRST	464 18	H01	X01	B

### EXAMPLE OF ARTICLE CODE CREATION

In case of a FRAME INOX OR 464x1822 mm, with H01 connection.

The article code will be:

**FRST 464 18 H01 X01 B**

## ACCESSORIES

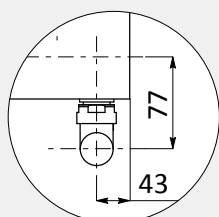


### Elegant square manual polished valve kit

Copper connection  $\varnothing$  12/14/15  
Art. Nr. 5991990301084

Multilayer connection  $\varnothing$  16  
Art. Nr. 5991990301083

V9÷V10



Measures for Elegant square manual valve



### Manual wall-fit valves

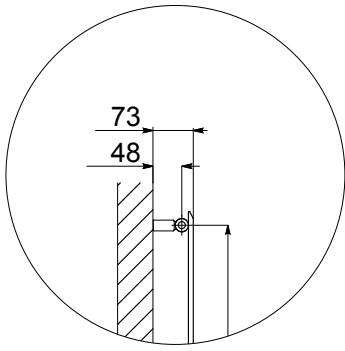
Fitting for wall-fit valves  
Copper connection  $\varnothing$  12/14/15  
Art. Nr. 5991170300001

Fitting for wall-fit valves  
Multilayer connection  $\varnothing$  16  
Art. Nr. 5991170300002

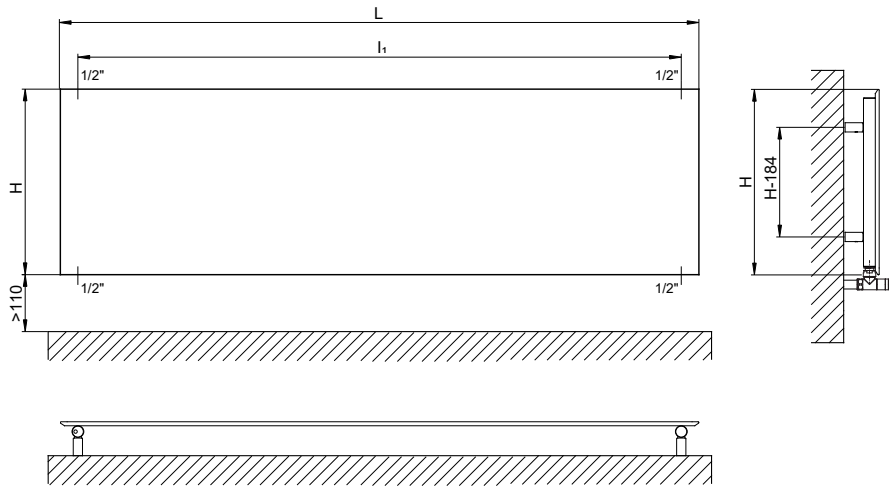
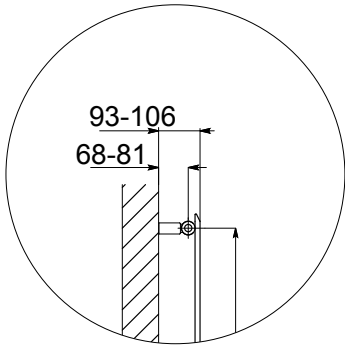
Wall-fit valves  
Art. Nr. 5991990311226

Accessories and spare parts - see from page 328.

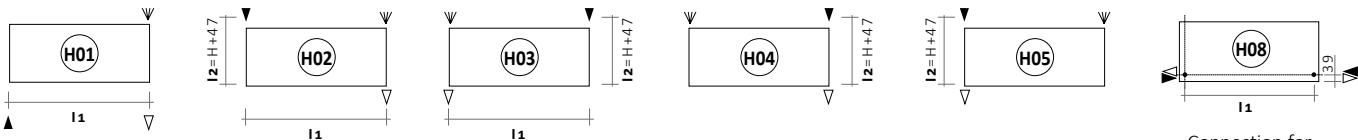
H01 - H02 - H03 - H04 - H05



H08



Standard Connexions



Connection for wall-fit valves.

Always specify the kind of connection needed when ordering (from H1 to H8).

Legend = ► In ▷ Out ◀ Airvent **H** Height **l** Pipe Centres **L** Width □ Connection

**FRAME INOX** HORIZONTAL - POLISHED STAINLESS STEEL

DDD: replace with the type of connection.

Art. Nr.	Width L [mm]	Height H [mm]	Pipe Centres		Dry Weight [Kg]	Surface [m <sup>2</sup> ]	Water Content [lt]	Thermal output Watt		Exponent n
			(H01-H02- H03-H08) l1 [mm]	(H02-H03- H04-H05) l2 [mm]				Δt = 50°C	Δt = 30°C	
FRST 352 10 DDD X01 B	<b>1022</b>	352	942	399	7,2	0,75	2,64	381	197	1,2894
FRST 464 10 DDD X01 B		464	942	511	9,7	0,98	3,5	499	258	1,2894
FRST 576 10 DDD X01 B		576	942	623	12,0	1,21	4,4	617	319	1,2894
FRST 688 10 DDD X01 B		688	942	735	14,6	1,44	5,2	735	380	1,2894
FRST 352 12 DDD X01 B	<b>1222</b>	352	1142	399	8,6	0,89	3,02	455	236	1,2881
FRST 464 12 DDD X01 B		464	1142	511	11,4	1,17	4,0	596	309	1,2881
FRST 576 12 DDD X01 B		576	1142	623	14,0	1,44	5,1	736	381	1,2881
FRST 688 12 DDD X01 B		688	1142	735	17,2	1,72	6,1	877	454	1,2881
FRST 352 14 DDD X01 B	<b>1422</b>	352	1342	399	9,9	1,04	3,5	529	274	1,2867
FRST 464 14 DDD X01 B		464	1342	511	13,2	1,36	4,6	692	359	1,2867
FRST 576 14 DDD X01 B		576	1342	623	16,5	1,68	5,9	856	444	1,2867
FRST 688 14 DDD X01 B		688	1342	735	19,8	2,00	7,0	1020	529	1,2867
FRST 352 16 DDD X01 B	<b>1622</b>	352	1542	399	11,2	1,16	3,8	595	309	1,2854
FRST 464 16 DDD X01 B		464	1542	511	14,9	1,55	5,2	789	409	1,2854
FRST 576 16 DDD X01 B		576	1542	623	18,6	1,94	6,8	976	506	1,2854
FRST 352 18 DDD X01 B	<b>1822</b>	352	1742	399	12,5	1,33	4,37	676	351	1,2840
FRST 464 18 DDD X01 B		464	1742	511	16,6	1,74	5,8	880	457	1,2840
FRST 576 18 DDD X01 B		576	1742	623	20,9	2,15	7,2	1100	571	1,2840
FRST 688 18 DDD X01 B		688	1742	735	25,0	2,56	8,7	1304	677	1,2840
FRST 352 20 DDD X01 B	<b>2022</b>	352	1942	399	13,5	1,47	4,85	750	390	1,2826
FRST 464 20 DDD X01 B		464	1942	511	18,4	1,93	6,4	978	508	1,2826
FRST 576 20 DDD X01 B		576	1942	623	23,0	2,38	8,0	1222	635	1,2826
FRST 688 20 DDD X01 B		688	1942	735	27,6	2,84	9,6	1447	751	1,2826

For output at different Δt than 50°C, please refer to the following formula: desired output = output at Δt 50°C x (desired Δt/50)<sup>n</sup>



# FRAME INOX DECOR VERTICAL

artwork **Mariano Moroni**



PAGE 114

**EUROPEAN  
WARRANTY**

## MATERIAL:

Horizontal collector in painted carbon steel with  $\varnothing$  of 30 mm  
Heating elements in painted carbon steel  
Heating plate in stainless steel with satin décor on polished background

## FIXING KIT:

Brackets, airvent, hexagonal tool, plugs and screws for mounting suitable for use on compact or hollow brick, user notice.  
The kit is certified from TÜV in compliance with VDI 6036-class 4.

## PACKAGING:

The radiator is protected by a film in polyethylene and with a carton box.  
User notice included.

## FEATURES:

Heating plate is totally made in stainless steel with an unalterable finishing.  
Brightness guaranteed during the years.

## PRODUCT CERTIFICATES



Pression maximale de service: 5 bar

Température maximale de service: 110° C

Available for central heating systems

Connexions: n° 2 x 1/2" gaz - n° 1 x 1/8" gaz

## HOW TO ORDER THE VERTICAL FRAME INOX DECOR RADIATORS

### ARTICLE CODE STRUCTURE

Radiator model	Radiator dimensions	Article code of the connection	Article code of the color / finish	Constant value
AAAA	BBB CC	DDD	EEE	B

### Example

Radiator model Example: Frame radiator	Radiator dimensions Example: mm 464x1822	Article code of the connection Example: connection V09	Article code of the finish Example: Inox Decor	Constant value
FRST	464 18	V09	X03	B

### EXAMPLE OF ARTICLE CODE CREATION

In case of a FRAME INOX DECOR VT 464x1822 mm radiator with V09 connection.

The article code will be:

**FRST 464 18 V09 X03 B**

## ACCESSORIES



### Elegant square manual polished valve kit

Copper connection  $\varnothing$  12/14/15  
Art. Nr. 5991990301084

Multilayer connection  $\varnothing$  16  
Art. Nr. 5991990301083



### Elegant square polished valve kit pipe centres 50 mm with thermostatic head - right

Copper connection  $\varnothing$  12/14/15  
Art. Nr. 5991990301076

Multilayer connection  $\varnothing$  16  
Art. Nr. 5991990301075



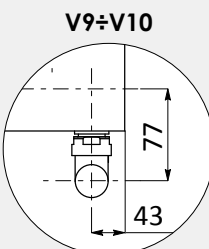
### Straight hanger polished FOR MODELS

L. 352 (L= 404 mm)  
Art. Nr. 5991990300187

L. 464 (L= 516 mm)  
Art. Nr. 5991990300183

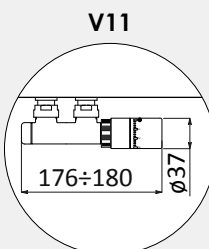
L. 576 (L= 628 mm)  
Art. Nr. 5991990300184

L. 688 (L= 740 mm)  
Art. Nr. 5991990300188



V9÷V10

Measures for Elegant square manual valve



V11

Measures for valves type Cordivari Elegant Square with thermostatic head and pipe centres 50 mm



### Kit 3 Straight hanger polished FOR MODELS

L. 352 (L= 404 mm)  
Art. Nr. 5991990300189

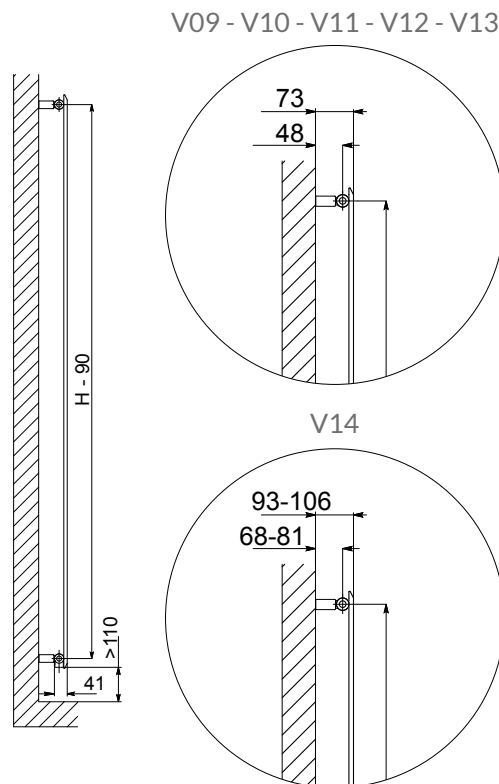
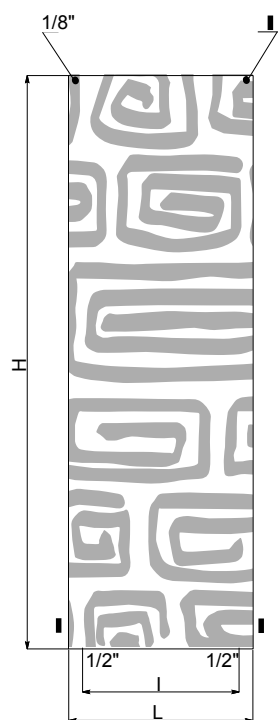
L. 464 (L= 516 mm)  
Art. Nr. 5991990300185

L. 576 (L= 628 mm)  
Art. Nr. 5991990300186

L. 688 (L= 740 mm)  
Art. Nr. 5991990300190

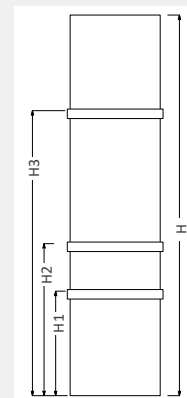
Accessories and spare parts - see from page 328.



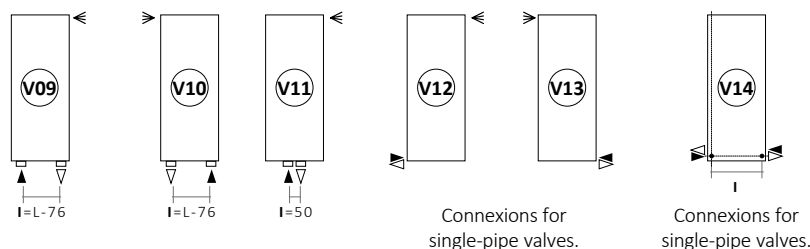


POSITIONING OF  
TOWEL BAR  
(ACCESSORIES)

H	H1	H2	H3
[mm]			
1022	300	500	800
1222	400	600	1000
1422	400	700	1200
1622	500	800	1300
1822	500	800	1400
2022	500	800	1500

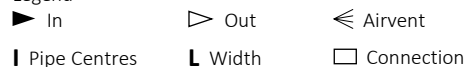


Standard Connexions



Always specify the kind of connection needed when ordering (V09 - V10 - V11 - V12 - V13 - V14).

Legend =



FRAME INOX DECOR VERTICAL

DDD: replace with the type of connection.

Art. Nr.	Height	Width	Pipe Centres (V09 - V10)	Pipe Centres (V14)	Dry Weight	Surface	Water Content	Thermal output Watt		Exponent n
	H [mm]	L [mm]	l [mm]	l [mm]				$\Delta t = 50^{\circ}\text{C}$	$\Delta t = 30^{\circ}\text{C}$	
FRST 352 10 DDD X03 B	1022	352	276	168	7,2	0,75	2,64	381	197	1,2894
FRST 464 10 DDD X03 B		464	388	280	9,7	0,98	3,5	499	258	1,2894
FRST 576 10 DDD X03 B		576	500	392	12	1,21	4,4	617	319	1,2894
FRST 688 10 DDD X03 B		688	612	504	14,6	1,44	5,2	735	380	1,2894
FRST 352 12 DDD X03 B	1222	352	276	168	8,6	0,89	3,02	455	236	1,2881
FRST 464 12 DDD X03 B		464	388	280	11,4	1,17	4	596	309	1,2881
FRST 576 12 DDD X03 B		576	500	392	14	1,44	5,1	736	381	1,2881
FRST 688 12 DDD X03 B		688	612	504	17,2	1,72	6,1	877	454	1,2881
FRST 352 14 DDD X03 B	1422	352	276	168	9,9	1,04	3,5	529	274	1,2867
FRST 464 14 DDD X03 B		464	388	280	13,2	1,36	4,6	692	359	1,2867
FRST 576 14 DDD X03 B		576	500	392	16,5	1,68	5,9	856	444	1,2867
FRST 688 14 DDD X03 B		688	612	504	19,8	2,00	7,00	1020	529	1,2867
FRST 352 16 DDD X03 B	1622	352	276	168	11,2	1,16	3,8	595	309	1,2854
FRST 464 16 DDD X03 B		464	388	280	14,9	1,55	5,2	789	409	1,2854
FRST 576 16 DDD X03 B		576	500	392	18,6	1,94	6,8	976	506	1,2854
FRST 352 18 DDD X03 B	1822	352	276	168	12,5	1,33	4,37	676	351	1,2840
FRST 464 18 DDD X03 B		464	388	280	16,6	1,74	5,8	880	457	1,2840
FRST 576 18 DDD X03 B		576	500	392	20,9	2,15	7,2	1100	571	1,2840
FRST 688 18 DDD X03 B		688	612	504	25	2,56	8,7	1304	677	1,2840
FRST 352 20 DDD X03 B	2022	352	276	168	13,5	1,47	4,85	750	390	1,2826
FRST 464 20 DDD X03 B		464	388	280	18,4	1,93	6,4	978	508	1,2826
FRST 576 20 DDD X03 B		576	500	392	23	2,38	8	1222	635	1,2826
FRST 688 20 DDD X03 B		688	612	504	27,6	2,84	9,6	1447	751	1,2826

For output at different  $\Delta t$  than  $50^{\circ}\text{C}$ , please refer to the following formula: desired output = output at  $\Delta t 50^{\circ}\text{C} \times (\text{desired } \Delta t/50)^n$



# FRAME INOX PLUS DECOR VERTICAL

artwork **Mariano Moroni**



PAGE 114

**EUROPEAN  
WARRANTY**

## MATERIAL:

Horizontal collector in painted carbon steel with  $\varnothing$  of 30 mm  
Heating elements in painted carbon steel  
Heating plate in stainless steel with satin décor on polished background

## FIXING KIT:

Brackets, airvent, hexagonal tool, plugs and screws for mounting suitable for use on compact or hollow brick, user notice.

## PACKAGING:

The radiator is protected by a film in polyethylene and with a carton box.  
User notice included.

## FEATURES:

Heating plate is totally made in stainless steel with an unalterable finishing.  
Brightness guaranteed during the years.

## PRODUCT CERTIFICATES



Pression maximale de service: 5 bar

Température maximale de service: 110° C

Available for central heating systems

Connexions: n° 2 x 1/2" gaz - n° 1 x 1/8" gaz

## HOW TO ORDER THE VERTICAL FRAME INOX PLUS DECOR RADIATORS

### ARTICLE CODE STRUCTURE

Radiator model	Radiator dimensions	Article code of the connection	Article code of the color / finish	Constant value
AAAA	BBB CC	DDD	EEE	B

### Example

Radiator model	Radiator dimensions	Article code of the connection	Article code of the finish	Constant value
Example: Frame radiator Plus	Example: mm 464x1822	Example: connection V09	Example: Inox Decor	
FRPL	464 18	V09	X03	B

### EXAMPLE OF ARTICLE CODE CREATION

In case of a FRAME INOX PLUS DECOR VT 464x1822 mm radiator with V09 connection.

The article code will be:

**FRPL 464 18 V09 X03 B**

## ACCESSORIES



### Elegant square manual polished valve kit

Copper connection  $\varnothing$  12/14/15  
Art. Nr. 5991990301084

Multilayer connection  $\varnothing$  16  
Art. Nr. 5991990301083



### Elegant square polished valve kit pipe centres 50 mm with thermostatic head - right

Copper connection  $\varnothing$  12/14/15  
Art. Nr. 5991990301076

Multilayer connection  $\varnothing$  16  
Art. Nr. 5991990301075



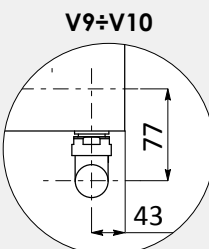
### Straight hanger polished FOR MODELS

L. 352 (L= 404 mm)  
Art. Nr. 5991990300187

L. 464 (L= 516 mm)  
Art. Nr. 5991990300183

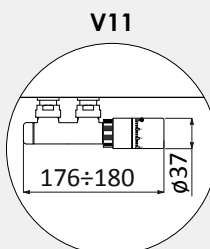
L. 576 (L= 628 mm)  
Art. Nr. 5991990300184

L. 688 (L= 740 mm)  
Art. Nr. 5991990300188



V9÷V10

Measures for Elegant square manual valve



V11

Measures for valves type Cordivari Elegant Square with thermostatic head and pipe centres 50 mm



### Kit 3 Straight hanger polished FOR MODELS

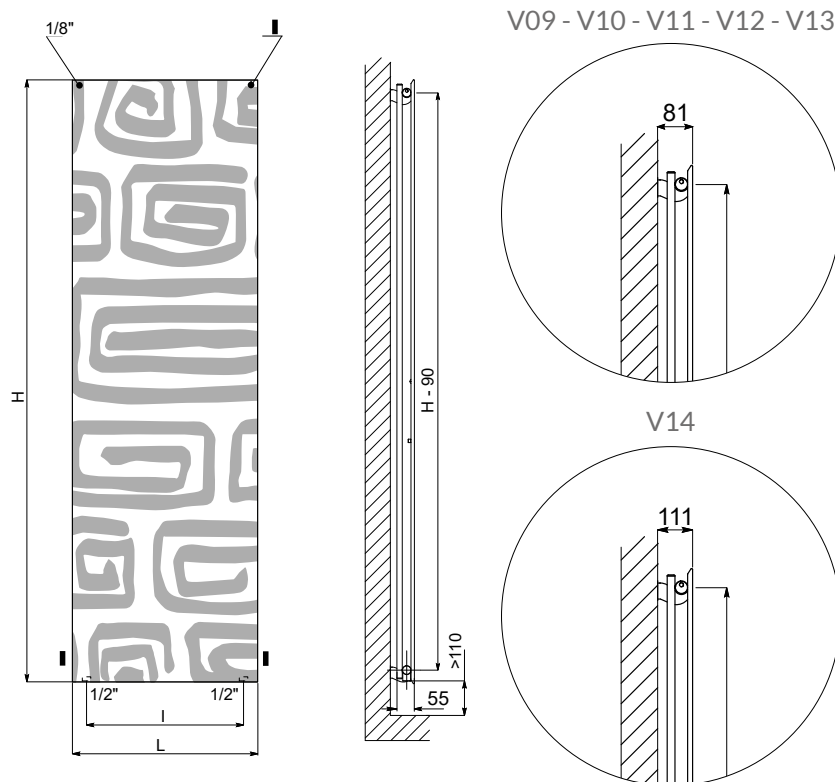
L. 352 (L= 404 mm)  
Art. Nr. 5991990300189

L. 464 (L= 516 mm)  
Art. Nr. 5991990300185

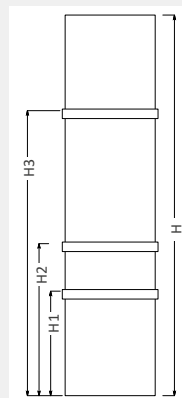
L. 576 (L= 628 mm)  
Art. Nr. 5991990300186

L. 688 (L= 740 mm)  
Art. Nr. 5991990300190

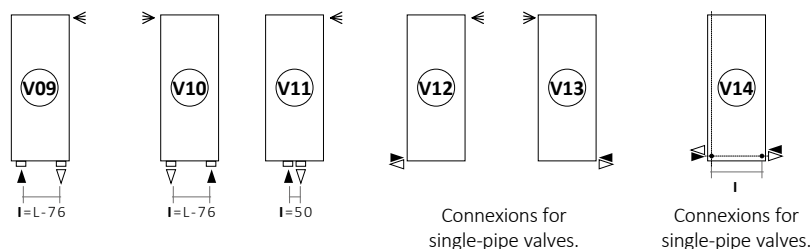
Accessories and spare parts - see from page 328.

POSITIONING OF  
TOWEL BAR  
(ACCESSORIES)

H	H1	H2	H3
[mm]			
<b>1022</b>	300	500	800
<b>1222</b>	400	600	1000
<b>1422</b>	400	700	1200
<b>1622</b>	500	800	1300
<b>1822</b>	500	800	1400
<b>2022</b>	500	800	1500



## Standard Connexions



Always specify the kind of connection needed when ordering (V09 - V10 - V11 - V12 - V13 - V14).

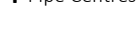
Legend =



In



Out



Airvent



Pipe Centres



L Width



Connection

## FRAME INOX PLUS DECOR VERTICAL

DDD: replace with the type of connection.

Art. Nr.	Height	Width	Pipe Centres (V09 - V10)	Pipe Centres (V14)	Dry Weight	Surface	Water Content	Thermal output Watt		Exponent n
	H [mm]	L [mm]	l [mm]	l [mm]				Δt = 50°C	Δt = 30°C	
FRPL 352 10 DDD X03 B	<b>1022</b>	352	276	168	14,3	1,35	4,5	580	296	1,3152
FRPL 464 10 DDD X03 B		464	388	280	20,2	1,84	6,3	790	404	1,3152
FRPL 576 10 DDD X03 B		576	500	392	25,0	2,32	7,8	999	510	1,3152
FRPL 688 10 DDD X03 B		688	612	504	28,6	2,81	9,0	1209	618	1,3152
FRPL 352 12 DDD X03 B	<b>1222</b>	352	276	168	17,1	1,61	5,3	691	353	1,3135
FRPL 464 12 DDD X03 B		464	388	280	24,1	2,19	7,5	940	481	1,3135
FRPL 576 12 DDD X03 B		576	500	392	29,8	2,77	9,3	1190	608	1,3135
FRPL 688 12 DDD X03 B		688	612	504	34,2	3,35	10,7	1439	736	1,3135
FRPL 352 14 DDD X03 B	<b>1422</b>	352	276	168	19,9	1,86	6,2	801	415	1,2867
FRPL 464 14 DDD X03 B		464	388	280	28,0	2,54	8,8	1091	565	1,2867
FRPL 576 14 DDD X03 B		576	500	392	34,7	3,21	10,8	1381	716	1,2867
FRPL 688 14 DDD X03 B		688	612	504	39,7	3,88	12,4	1670	865	1,2867
FRPL 352 16 DDD X03 B	<b>1622</b>	352	276	168	23,9	2,17	7,5	930	476	1,3117
FRPL 464 16 DDD X03 B		464	388	280	31,9	2,89	10,0	1241	635	1,3117
FRPL 576 16 DDD X03 B		576	500	392	39,8	3,61	12,5	1551	794	1,3117
FRPL 352 18 DDD X03 B	<b>1822</b>	352	276	168	25,4	2,38	7,9	1022	523	1,3105
FRPL 464 18 DDD X03 B		464	388	280	35,7	3,24	11,2	1455	745	1,3105
FRPL 576 18 DDD X03 B		576	500	392	45,1	4,10	13,7	1819	931	1,3105
FRPL 688 18 DDD X03 B		688	612	504	50,8	4,96	15,9	2132	1092	1,3105
FRPL 352 20 DDD X03 B	<b>2022</b>	352	276	168	28,2	2,63	8,8	1133	580	1,3093
FRPL 464 20 DDD X03 B		464	388	280	39,5	3,59	12,3	1568	803	1,3093
FRPL 576 20 DDD X03 B		576	500	392	49,9	4,54	15,0	1960	1004	1,3093
FRPL 688 20 DDD X03 B		688	612	504	56,4	5,49	17,6	2363	1211	1,3093

For output at different Δt than 50°C, please refer to the following formula: desired output = output at Δt 50°C x (desired Δt/50)<sup>n</sup>



# FRAME VERTICAL



PAGE 116

EUROPEAN  
WARRANTY

## MATERIAL:

Horizontal collector in painted carbon steel with  $\varnothing$  of 30 mm  
Heating elements in painted carbon steel  
Heating plate in painted carbon steel

## FIXING KIT:

Brackets, airvent, hexagonal tool, plugs and screws for mounting suitable for use on compact or hollow brick, user notice.  
The kit is certified from TÜV in compliance with VDI 6036-class 4.

## PACKAGING:

The radiator is protected by a film in polyethylene and with a carton box.  
User notice included.

## PAINTING PROCESS:

Painted with ecological epoxy. (Certificate DIN 55900-1,-2).  
Thermal outputs certified in accredited laboratories in compliance with European norm EN442.

## COLOURS:

Radiator and accessories: standard white colour R01.  
For other colours see page 350.

## PRODUCT CERTIFICATES



Pression maximale de service: 5 bar

Température maximale de service: 110° C

Available for central heating systems

Connexions: n° 2 x 1/2" gaz - n° 1 x 1/8" gaz

## HOW TO ORDER THE VERTICAL FRAME RADIATORS

### ARTICLE CODE STRUCTURE

Radiator model	Radiator dimensions	Article code of the connection	Article code of the color / finish Different color from standard (R01 - R02) surcharge +30%	Constant value
AAAA	BBB CC	DDD	EEE	B

### Example

Radiator model Example: Frame radiator	Radiator dimensions Example: mm 464x1822	Article code of the connection Example: connection V09	Article code of the finish Example: White color R01	Constant value
FRST	464 18	V09	R01	B

### EXAMPLE OF ARTICLE CODE CREATION

In case of a FRAME VT  
464x1822 mm radiator with  
V09 connection.

The article code will be:

**FRST 464 18 V09 R01 B**

## ACCESSORIES



**Elegant square manual valve kit painted pure white R01**

Copper connection  $\varnothing$  12/14/15  
Art. Nr. 5991990310553

Multilayer connection  $\varnothing$  16  
Art. Nr. 5991990310552



**Tinta valve pipe centres 50 mm with thermostatic head - right**

Copper connection  $\varnothing$  12/14/15  
Art. Nr. 5991990311217

Multilayer connection  $\varnothing$  16  
Art. Nr. 5991990311216



**Kit 3 Towel bar verniciati FOR MODELS**

L. 352 (L= 404 mm)  
Art. Nr. 5991990310569

L. 464 (L= 516 mm)  
Art. Nr. 5991990310570

L. 576 (L= 628 mm)  
Art. Nr. 5991990310571

L. 688 (L= 740 mm)  
Art. Nr. 5991990310572

## LYNEA ACCESSORIES

by Marco Pisati



**TOWEL BAR LEFT  
L. 274 mm**

**H30 Green Apple**

Art. Nr. 5991990332190



**Hook  
L. 180 mm x H. 270 mm**

**H30 Green Apple**

Art. Nr. 5991990310604

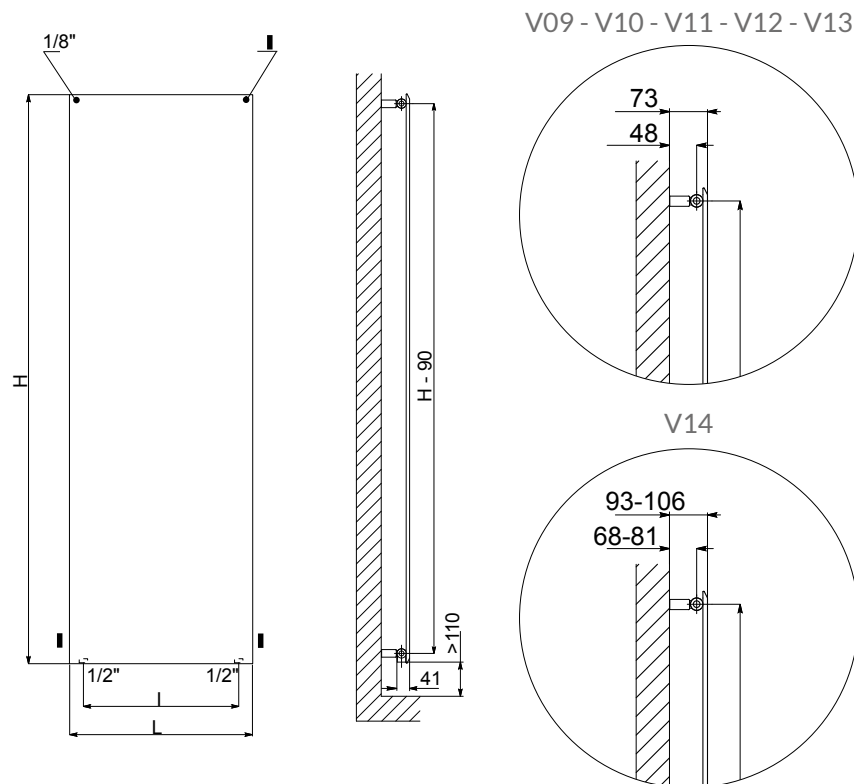


**Wood shelf  
L. 286 mm**

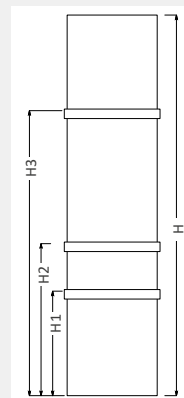
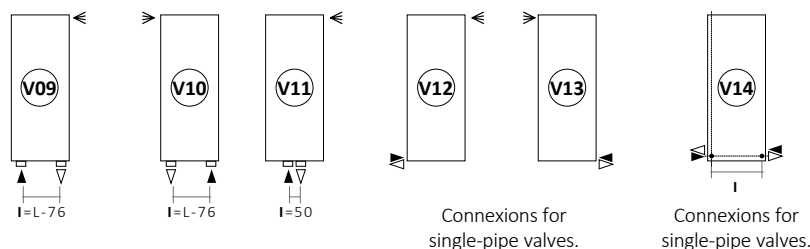
**Oak Moka Textured**

Art. Nr. 5991990500014

Accessories and spare parts - see from page 328.


**POSITIONING OF  
TOWEL BAR  
(ACCESSORIES)**

H	H1	H2	H3
[mm]			
<b>1022</b>	300	500	800
<b>1222</b>	400	600	1000
<b>1422</b>	400	700	1200
<b>1622</b>	500	800	1300
<b>1822</b>	500	800	1400
<b>2022</b>	500	800	1500


**Standard Connexions**


Always specify the kind of connection needed when ordering (V09 - V10 - V11 - V12 - V13 - V14).

Legend =  
 ▶ In      ▷ Out      ≪ Airvent  
 | Pipe Centres      L Width      □ Connection

**FRAME VERTICAL**

**DDD: replace with the type of connection.**

Art. Nr.	Height	Width	Pipe Centres (V09- V10)	Pipe Centres (V14)	Dry Weight [Kg]	Surface [m <sup>2</sup> ]	Water Content [lt]	Thermal output Watt		Exponent n
	H [mm]	L [mm]	I [mm]	I [mm]				Δt = 50°C	Δt = 30°C	
FRST 352 10 DDD R01 B	<b>1022</b>	352	276	168	7,2	0,75	2,64	381	197	1,2894
FRST 464 10 DDD R01 B		464	388	280	9,7	0,98	3,5	499	258	1,2894
FRST 576 10 DDD R01 B		576	500	392	12	1,21	4,4	617	319	1,2894
FRST 688 10 DDD R01 B		688	612	504	14,6	1,44	5,2	735	380	1,2894
FRST 352 12 DDD R01 B	<b>1222</b>	352	276	168	8,6	0,89	3,02	455	236	1,2881
FRST 464 12 DDD R01 B		464	388	280	11,4	1,17	4	596	309	1,2881
FRST 576 12 DDD R01 B		576	500	392	14	1,44	5,1	736	381	1,2881
FRST 688 12 DDD R01 B		688	612	504	17,2	1,72	6,1	877	454	1,2881
FRST 352 14 DDD R01 B	<b>1422</b>	352	276	168	9,9	1,04	3,5	529	274	1,2867
FRST 464 14 DDD R01 B		464	388	280	13,2	1,36	4,6	692	359	1,2867
FRST 576 14 DDD R01 B		576	500	392	16,5	1,68	5,9	856	444	1,2867
FRST 688 14 DDD R01 B		688	612	504	19,8	2,00	7,00	1020	529	1,2867
FRST 352 16 DDD R01 B	<b>1622</b>	352	276	168	11,2	1,16	3,8	595	309	1,2854
FRST 464 16 DDD R01 B		464	388	280	14,9	1,55	5,2	789	409	1,2854
FRST 576 16 DDD R01 B		576	500	392	18,6	1,94	6,8	976	506	1,2854
FRST 688 16 DDD R01 B		688	612	504	22,3	2,38	8	1222	635	1,2826
FRST 352 18 DDD R01 B	<b>1822</b>	352	276	168	12,5	1,33	4,37	676	351	1,2840
FRST 464 18 DDD R01 B		464	388	280	16,6	1,74	5,8	880	457	1,2840
FRST 576 18 DDD R01 B		576	500	392	20,9	2,15	7,2	1100	571	1,2840
FRST 688 18 DDD R01 B		688	612	504	25	2,56	8,7	1304	677	1,2840
FRST 352 20 DDD R01 B	<b>2022</b>	352	276	168	13,5	1,47	4,85	750	390	1,2826
FRST 464 20 DDD R01 B		464	388	280	18,4	1,93	6,4	978	508	1,2826
FRST 576 20 DDD R01 B		576	500	392	23	2,38	8	1222	635	1,2826
FRST 688 20 DDD R01 B		688	612	504	27,6	2,84	9,6	1447	751	1,2826

Art. Nr. are referred to colour WHITE R01 version.

For output at different Δt than 50°C, please refer to the following formula: desired output = output at Δt 50°C x (desired Δt/50)<sup>n</sup>



# FRAME PLUS VERTICAL



EUROPEAN  
WARRANTY

## MATERIAL:

Horizontal collector in painted carbon steel with  $\varnothing$  of 30 mm  
Heating elements in painted carbon steel  
Heating plate in painted carbon steel

## FIXING KIT:

Brackets, airvent, hexagonal tool, plugs and screws for mounting suitable for use on compact or hollow brick, user notice.

## PACKAGING:

The radiator is protected by a film in polyethylene and with a carton box.  
User notice included.

## PAINTING PROCESS:

Painted with ecological epoxy. (Certificate DIN 55900-1,-2).  
Thermal outputs certified in accredited laboratories in compliance with European norm EN442.

## COLOURS:

Radiator and accessories: standard white colour R01.  
For other colours see page 350.

## PRODUCT CERTIFICATES



Pression maximale de service: 5 bar

Température maximale de service: 110° C

Available for central heating systems

Connexions: n° 2 x 1/2" gaz - n° 1 x 1/8" gaz

## HOW TO ORDER THE VERTICAL FRAME PLUS RADIATORS

### ARTICLE CODE STRUCTURE

Radiator model	Radiator dimensions	Article code of the connection	Article code of the color / finish Different color from standard (R01 - R02) surcharge +30%	Constant value
AAAA	BBB CC	DDD	EEE	B

### Example

Radiator model Example: Frame radiator Plus	Radiator dimensions Example: mm 464x1822	Article code of the connection Example: connection V09	Article code of the finish Example: White color R01	Constant value
FRPL	464 18	V09	R01	B

### EXAMPLE OF ARTICLE CODE CREATION

In case of a FRAME PLUS VT  
464x1822 mm radiator with  
V09 connection.

The article code will be:

**FRPL 464 18 V09 R01 B**

## ACCESSORIES



**Elegant square manual valve kit painted pure white R01**

Copper connection  $\varnothing$  12/14/15  
Art. Nr. 5991990310553

Multilayer connection  $\varnothing$  16  
Art. Nr. 5991990310552



**Tinta valve pipe centres 50 mm with thermostatic head - right**

Copper connection  $\varnothing$  12/14/15  
Art. Nr. 5991990311217

Multilayer connection  $\varnothing$  16  
Art. Nr. 5991990311216



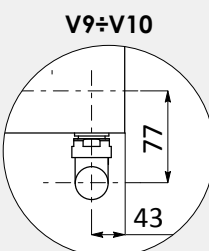
**Towel bar verniciato FOR MODELS**

L. 352 (L= 404 mm)  
Art. Nr. 5991990310565

L. 464 (L= 516 mm)  
Art. Nr. 5991990310566

L. 576 (L= 628 mm)  
Art. Nr. 5991990310567

L. 688 (L= 740 mm)  
Art. Nr. 5991990310568



Measures for Elegant square manual valve



**Kit 3 Towel bar verniciati FOR MODELS**

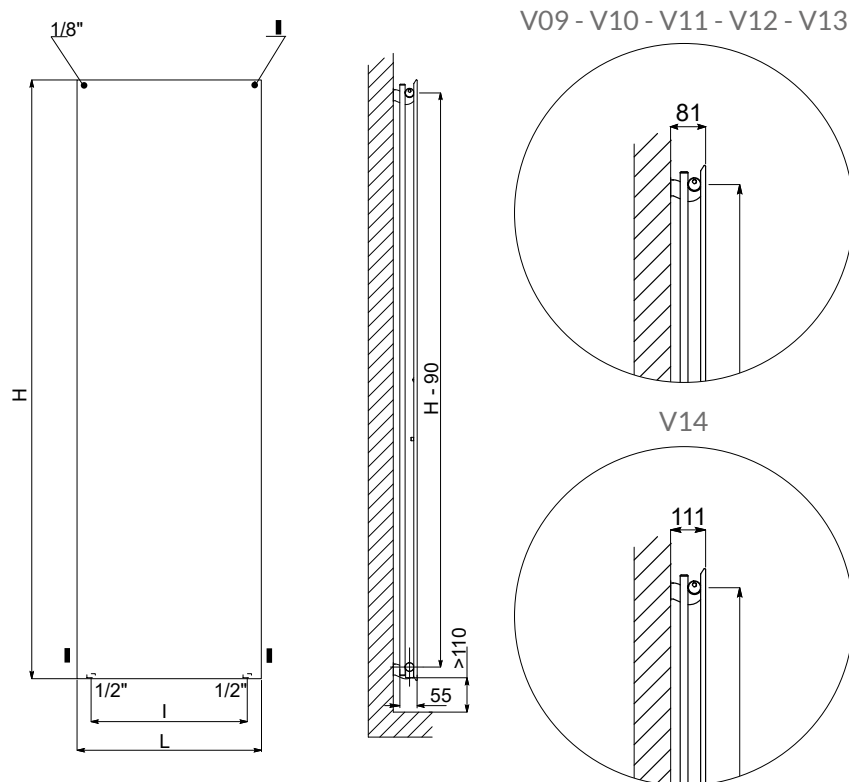
L. 352 (L= 404 mm)  
Art. Nr. 5991990310569

L. 464 (L= 516 mm)  
Art. Nr. 5991990310570

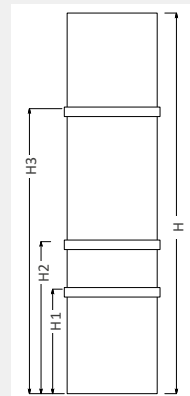
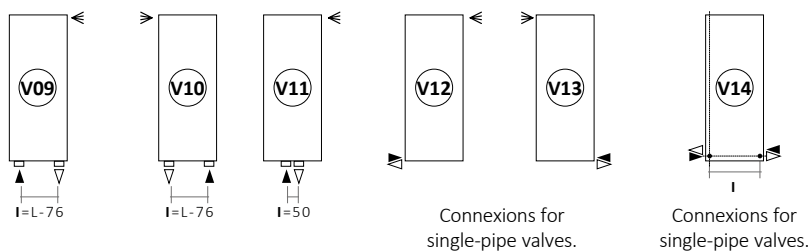
L. 576 (L= 628 mm)  
Art. Nr. 5991990310571

L. 688 (L= 740 mm)  
Art. Nr. 5991990310572

Accessories and spare parts - see from page 328.

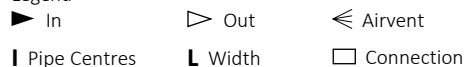

**POSITIONING OF  
TOWEL BAR  
(ACCESSORIES)**

H	H1	H2	H3
[mm]			
<b>1022</b>	300	500	800
<b>1222</b>	400	600	1000
<b>1422</b>	400	700	1200
<b>1622</b>	500	800	1300
<b>1822</b>	500	800	1400
<b>2022</b>	500	800	1500


**Standard Connexions**


Always specify the kind of connection needed when ordering (V09 - V10 - V11 - V12 - V13 - V14).

Legend =


**FRAME PLUS VERTICAL**

**DDD:** replace with the type of connection.

Art. Nr.	Height	Width	Pipe Centres (V09-V10)	Pipe Centres (V14)	Dry Weight [Kg]	Surface [m <sup>2</sup> ]	Water Content [lt]	Thermal output Watt		Exponent n
	H [mm]	L [mm]	I [mm]	I [mm]				$\Delta t = 50^{\circ}\text{C}$	$\Delta t = 30^{\circ}\text{C}$	
FRPL 352 10 DDD R01 B	<b>1022</b>	352	276	168	14,3	1,35	4,5	580	296	1,3152
FRPL 464 10 DDD R01 B		464	388	280	20,2	1,84	6,3	790	404	1,3152
FRPL 576 10 DDD R01 B		576	500	392	25,0	2,32	7,8	999	510	1,3152
FRPL 688 10 DDD R01 B		688	612	504	28,6	2,81	9,0	1209	618	1,3152
FRPL 352 12 DDD R01 B	<b>1222</b>	352	276	168	17,1	1,61	5,3	691	353	1,3135
FRPL 464 12 DDD R01 B		464	388	280	24,1	2,19	7,5	940	481	1,3135
FRPL 576 12 DDD R01 B		576	500	392	29,8	2,77	9,3	1190	608	1,3135
FRPL 688 12 DDD R01 B		688	612	504	34,2	3,35	10,7	1439	736	1,3135
FRPL 352 14 DDD R01 B	<b>1422</b>	352	276	168	19,9	1,86	6,2	801	415	1,2867
FRPL 464 14 DDD R01 B		464	388	280	28,0	2,54	8,8	1091	565	1,2867
FRPL 576 14 DDD R01 B		576	500	392	34,7	3,21	10,8	1381	716	1,2867
FRPL 688 14 DDD R01 B		688	612	504	39,7	3,88	12,4	1670	865	1,2867
FRPL 352 16 DDD R01 B	<b>1622</b>	352	276	168	23,9	2,17	7,5	930	476	1,3117
FRPL 464 16 DDD R01 B		464	388	280	31,9	2,89	10,0	1241	635	1,3117
FRPL 576 16 DDD R01 B		576	500	392	39,8	3,61	12,5	1551	794	1,3117
FRPL 352 18 DDD R01 B	<b>1822</b>	352	276	168	25,4	2,38	7,9	1022	523	1,3105
FRPL 464 18 DDD R01 B		464	388	280	35,7	3,24	11,2	1455	745	1,3105
FRPL 576 18 DDD R01 B		576	500	392	45,1	4,10	13,7	1819	931	1,3105
FRPL 688 18 DDD R01 B		688	612	504	50,8	4,96	15,9	2132	1092	1,3105
FRPL 352 20 DDD R01 B	<b>2022</b>	352	276	168	28,2	2,63	8,8	1133	580	1,3093
FRPL 464 20 DDD R01 B		464	388	280	39,5	3,59	12,3	1568	803	1,3093
FRPL 576 20 DDD R01 B		576	500	392	49,9	4,54	15,0	1960	1004	1,3093
FRPL 688 20 DDD R01 B		688	612	504	56,4	5,49	17,6	2363	1211	1,3093

Art. Nr. are referred to colour WHITE R01 version.

For output at different  $\Delta t$  than  $50^{\circ}\text{C}$ , please refer to the following formula: desired output = output at  $\Delta t 50^{\circ}\text{C}$  x (desired  $\Delta t/50$ )<sup>n</sup>



# FRAME HORIZONTAL



PAGE 118

EUROPEAN WARRANTY

### MATERIAL:

Vertical collectors in painted carbon steel with  $\varnothing$  of 30 mm  
 Heating elements in painted carbon steel  
 Heating plate in painted carbon steel

### FIXING KIT:

Brackets, airvent, hexagonal tool, plugs and screws for mounting suitable for use on compact or hollow brick, user notice.  
 The kit is certified from TÜV in compliance with VDI 6036-class 4.

### PACKAGING:

The radiator is protected by a film in polyethylene and with a carton box.  
 User notice included.

### PAINTING PROCESS:

Painted with ecological epoxy. (Certificate DIN 55900-1,-2).  
 Thermal outputs certified in accredited laboratories in compliance with European norm EN442.

### COLOURS:

Radiator and accessories: standard white colour R01.  
 For other colours see page 350.

## PRODUCT CERTIFICATES



Pression maximale de service: 5 bar

Température maximale de service: 110° C

Available for central heating systems

Connexions: n° 2 x 1/2" gaz - n° 1 x 1/2" gaz

## HOW TO ORDER THE HORIZONTAL FRAME RADIATORS

### ARTICLE CODE STRUCTURE

Radiator model	Radiator dimensions	Article code of the connection	Article code of the color / finish Different color from standard (R01 - R02) surcharge +30%	Constant value
AAAA	BBB CC	DDD	EEE	B

### Example

Radiator model Example: Frame radiator	Radiator dimensions Example: mm 464x1822	Article code of the connection Example: connection H01	Article code of the finish Example: White color R01	Constant value
FRST	464 18	H01	R01	B

### EXAMPLE OF ARTICLE CODE CREATION

In case of a FRAME OR white 464x1822 mm, with H01 connection.

The article code will be:

**FRST 464 18 H01 R01 B**

## ACCESSORIES



Elegant square manual valve kit painted pure white R01

Copper connection  $\varnothing$  12/14/15  
 Art. Nr. 5991990310553

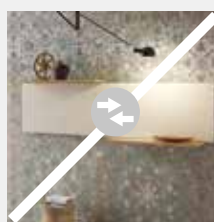
Multilayer connection  $\varnothing$  16  
 Art. Nr. 5991990310552

### FRAME HORIZONTAL with wall-fit valves



## LYNEA ACCESSORIES

by Marco Pisati



TOP wood shelf L. 800 mm

Whitened Oak

Art. Nr. 5991990500031

BOTTOM wood shelf L. 800 mm

Whitened Oak

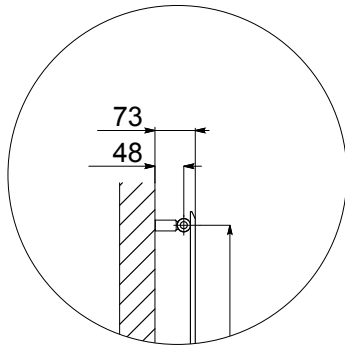
Art. Nr. 5991990500034

Adjustable shelves

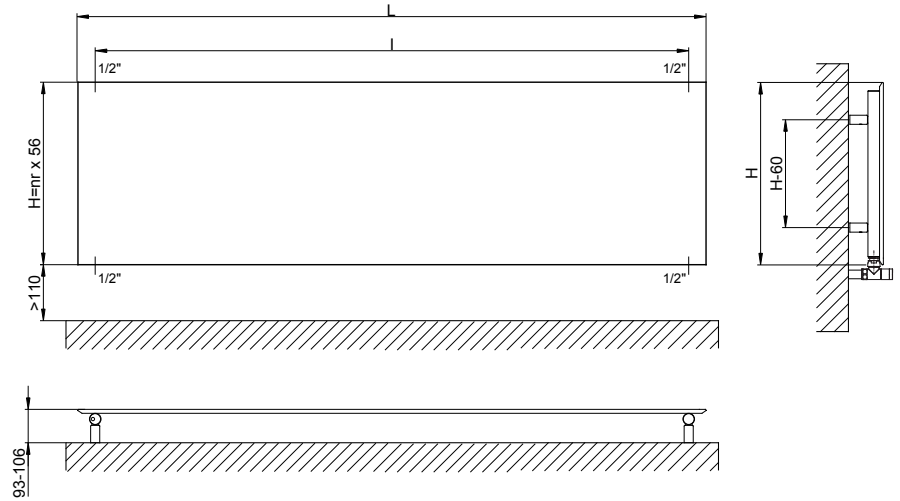
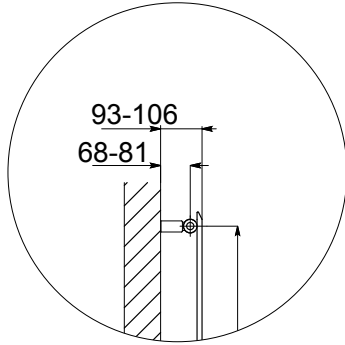
Accessories and spare parts - see from page 328.



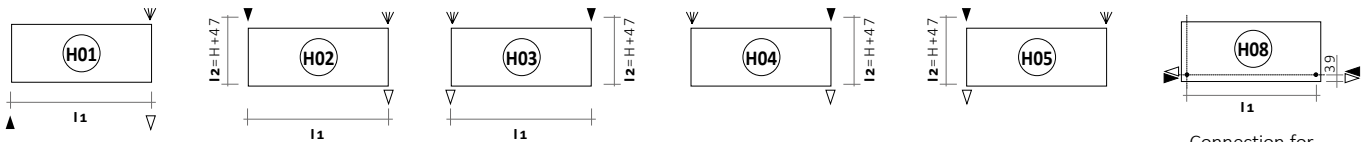
H01 - H02 - H03 - H04 - H05



H08



Standard Connexions



Connection for wall-fit valves.

Always specify the kind of connection needed when ordering (from H1 to H8).

Legend = ► In ◄ Out ◀ Airvent H Height l Pipe Centres L Width □ Connection

FRAME HORIZONTAL

DDD: replace with the type of connection.

Art. Nr.	Width L [mm]	Height H [mm]	Pipe Centres		Dry Weight [Kg]	Surface [m <sup>2</sup> ]	Water Content [lt]	Thermal output Watt		Exponent n
			(H01-H02- H03-H08) l1 [mm]	(H02-H03- H04-H05) l2 [mm]				Δt = 50°C	Δt = 30°C	
FRST 352 10 DDD R01 B	1022	352	942	399	7,2	0,75	2,64	381	197	1,2894
FRST 464 10 DDD R01 B		464	942	511	9,7	0,98	3,5	499	258	1,2894
FRST 576 10 DDD R01 B		576	942	623	12,0	1,21	4,4	617	319	1,2894
FRST 688 10 DDD R01 B		688	942	735	14,6	1,44	5,2	735	380	1,2894
FRST 352 12 DDD R01 B	1222	352	1142	399	8,6	0,89	3,02	455	236	1,2881
FRST 464 12 DDD R01 B		464	1142	511	11,4	1,17	4,0	596	309	1,2881
FRST 576 12 DDD R01 B		576	1142	623	14,0	1,44	5,1	736	381	1,2881
FRST 688 12 DDD R01 B		688	1142	735	17,2	1,72	6,1	877	454	1,2881
FRST 352 14 DDD R01 B	1422	352	1342	399	9,9	1,04	3,5	529	274	1,2867
FRST 464 14 DDD R01 B		464	1342	511	13,2	1,36	4,6	692	359	1,2867
FRST 576 14 DDD R01 B		576	1342	623	16,5	1,68	5,9	856	444	1,2867
FRST 688 14 DDD R01 B		688	1342	735	19,8	2,00	7,0	1020	529	1,2867
FRST 352 16 DDD R01 B	1622	352	1542	399	11,2	1,16	3,8	595	309	1,2854
FRST 464 16 DDD R01 B		464	1542	511	14,9	1,55	5,2	789	409	1,2854
FRST 576 16 DDD R01 B		576	1542	623	18,6	1,94	6,8	976	506	1,2854
FRST 352 18 DDD R01 B	1822	352	1742	399	12,5	1,33	4,37	676	351	1,2840
FRST 464 18 DDD R01 B		464	1742	511	16,6	1,74	5,8	880	457	1,2840
FRST 576 18 DDD R01 B		576	1742	623	20,9	2,15	7,2	1100	571	1,2840
FRST 688 18 DDD R01 B		688	1742	735	25,0	2,56	8,7	1304	677	1,2840
FRST 352 20 DDD R01 B	2022	352	1942	399	13,5	1,47	4,85	750	390	1,2826
FRST 464 20 DDD R01 B		464	1942	511	18,4	1,93	6,4	978	508	1,2826
FRST 576 20 DDD R01 B		576	1942	623	23,0	2,38	8,0	1222	635	1,2826
FRST 688 20 DDD R01 B		688	1942	735	27,6	2,84	9,6	1447	751	1,2826

Art. Nr. are referred to colour WHITE R01 version.

For output at different Δt than 50°C, please refer to the following formula: desired output = output at Δt 50°C x (desired Δt/50)<sup>n</sup>



# FRAME MAX VERTICAL



PAGE 120

EUROPEAN  
WARRANTY

## MATERIAL:

Horizontal collector in painted carbon steel with  $\varnothing$  of 30 mm  
Heating elements in painted carbon steel  
Heating plate in painted carbon steel

## FIXING KIT:

Brackets, airvent, hexagonal tool, plugs and screws for mounting suitable for use on compact or hollow brick, user notice.

## PACKAGING:

The radiator is protected by a film in polyethylene and with a carton box.  
User notice included.

## PAINTING PROCESS:

Painted with ecological epoxy. (Certificate DIN 55900-1,-2).  
Thermal outputs certified in accredited laboratories in compliance with European norm EN442.

## COLOURS:

Radiator and accessories: standard white colour R01.  
For other colours see page 350.

## PRODUCT CERTIFICATES



Pression maximale de service: 5 bar

Température maximale de service: 110° C

Available for central heating systems

Connexions: n° 2 x 1/2" gaz - n° 1 x 1/8" gaz

## HOW TO ORDER THE VERTICAL FRAME MAX RADIATORS

### ARTICLE CODE STRUCTURE

Radiator model	Radiator dimensions	Article code of the connection	Article code of the color / finish Different color from standard (R01 - R02) surcharge +30%	Constant value
AAAA	BBB CC	DDD	EEE	B

### Example

Radiator model Example: Frame radiator Max	Radiator dimensions Example: mm 464x1822	Article code of the connection Example: connection V11	Article code of the finish Example: White color R01	Constant value
FRMX	464 18	V11	R01	B

### EXAMPLE OF ARTICLE CODE CREATION

In case of a FRAME MAX 464x1822 mm, with V11 connection.

The article code will be:

**FRMX 464 18 V11 R01 B**

## ACCESSORIES



Elegant square manual valve kit painted pure white R01

Copper connection  $\varnothing$  12/14/15  
Art. Nr. 5991990310553

Multilayer connection  $\varnothing$  16  
Art. Nr. 5991990310552



Elegant square pipe centres 50 mm valve kit painted pure white R01 with thermostatic head - right

Copper connection  $\varnothing$  12/14/15  
Art. Nr. 5991990310543

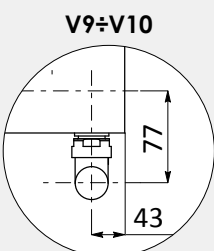
Multilayer connection  $\varnothing$  16  
Art. Nr. 5991990310542



Tinta valve pipe centres 50 mm with thermostatic head - right

Copper connection  $\varnothing$  12/14/15  
Art. Nr. 5991990311217

Multilayer connection  $\varnothing$  16  
Art. Nr. 5991990311216



V9÷V10

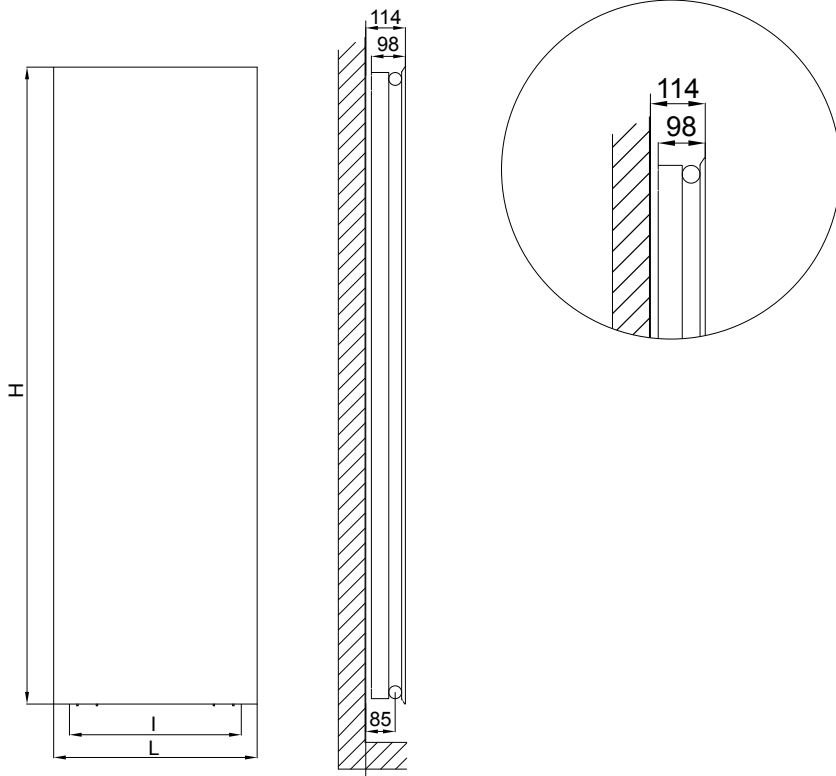
Measures for Elegant square manual valve



Sleeving kit for polished valves

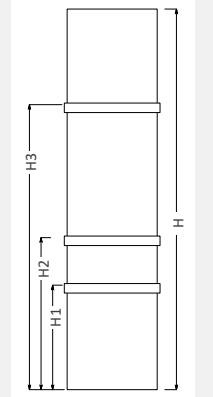
Art. Nr. 5103000000044

Accessories and spare parts - see from page 328.

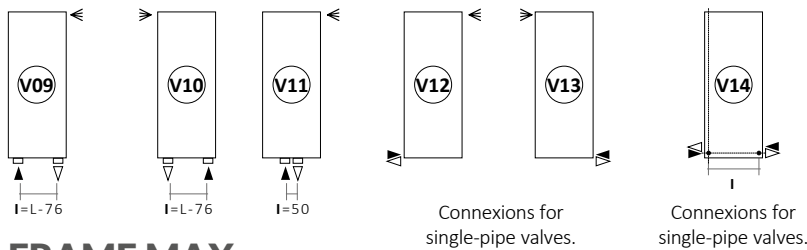


**POSITIONING OF TOWEL BAR (ACCESSORIES)**

H	H1	H2	H3
[mm]			
<b>1022</b>	300	500	800
<b>1222</b>	400	600	1000
<b>1422</b>	400	700	1200
<b>1622</b>	500	800	1300
<b>1822</b>	500	800	1400
<b>2022</b>	500	800	1500



**Standard Connexions**



Always specify the kind of connection needed when ordering (V09 - V10 - V11 - V12 - V13 - V14).

Legend =  
 ▶ In      ▷ Out      ≪ Airvent  
 | Pipe Centres      L Width      □ Connection

**FRAME MAX VERTICAL**

**DDD:** replace with the type of connection.

Art. Nr.	Height	Width	Pipe Centres (V09 - V10)	Pipe Centres (V14)	Dry Weight [Kg]	Surface [m <sup>2</sup> ]	Water Content [lt]	Thermal output Watt		Exponent n
	H [mm]	L [mm]	I [mm]	I [mm]				Δt = 50°C	Δt = 30°C	
FRMX 352 10 DDD R01 B	<b>1022</b>	352	276	168	18,2	2,238	7,8	811	413	1,31970
FRMX 464 10 DDD R01 B		464	388	280	24,2	2,984	10,4	1081	551	1,31970
FRMX 576 10 DDD R01 B		576	500	392	30,2	3,73	13,0	1352	689	1,31970
FRMX 688 10 DDD R01 B		688	612	504	36,2	4,476	15,5	1622	827	1,31970
FRMX 352 12 DDD R01 B	<b>1222</b>	352	276	168	23,5	2,67	9,0	948	483	1,31910
FRMX 464 12 DDD R01 B		464	388	280	31,3	3,56	11,9	1265	645	1,31910
FRMX 576 12 DDD R01 B		576	500	392	39,0	4,45	14,9	1581	806	1,31910
FRMX 688 12 DDD R01 B		688	612	504	46,7	5,34	17,9	1897	967	1,31910
FRMX 352 14 DDD R01 B	<b>1422</b>	352	276	168	28,9	3,102	10,1	1082	552	1,31850
FRMX 464 14 DDD R01 B		464	388	280	38,3	4,136	13,5	1443	736	1,31850
FRMX 576 14 DDD R01 B		576	500	392	47,8	5,17	16,9	1804	920	1,31850
FRMX 688 14 DDD R01 B		688	612	504	57,3	6,204	20,3	2164	1104	1,31850
FRMX 352 16 DDD R01 B	<b>1622</b>	352	276	168	34,2	3,534	11,3	1213	619	1,31790
FRMX 464 16 DDD R01 B		464	388	280	45,4	4,712	15,1	1617	825	1,31790
FRMX 576 16 DDD R01 B		576	500	392	56,6	5,89	18,9	2021	1031	1,31790
FRMX 352 18 DDD R01 B	<b>1822</b>	352	276	168	39,5	3,966	12,5	1341	677	1,33750
FRMX 464 18 DDD R01 B		464	388	280	52,4	5,288	16,7	1788	902	1,33810
FRMX 576 18 DDD R01 B		576	500	392	65,4	6,61	20,8	2234	1128	1,33810
FRMX 688 18 DDD R01 B		688	612	504	78,4	7,932	25,0	2681	1354	1,33810
FRMX 352 20 DDD R01 B	<b>2022</b>	352	276	168	44,8	4,398	13,7	1466	748	1,31670
FRMX 464 20 DDD R01 B		464	388	280	59,5	5,864	18,3	1955	998	1,31670
FRMX 576 20 DDD R01 B		576	500	392	74,2	7,33	22,8	2443	1247	1,31670
FRMX 688 20 DDD R01 B		688	612	504	88,9	8,796	27,4	2932	1496	1,31670

Art. Nr. are referred to colour WHITE R01 version.

For output at different Δt than 50°C, please refer to the following formula: desired output = output at Δt 50°C x (desired Δt/50)<sup>n</sup>












## TOWEL BAR

Kit includes:

- n° 1 towel bar LEFT
- n° 1 towel bar RIGHT





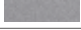






COLOUR	Art. Nr.
 <b>F20</b>	5991990310617
 <b>R40</b>	5991990310618
 <b>R27</b>	5991990310619
 <b>R13</b>	5991990310620
 <b>R16</b>	5991990310621
 <b>R05</b>	5991990310622
 <b>H30</b>	5991990310623
 <b>T01</b>	5991990310678
 <b>T11</b>	5991990310679

## TOWEL BAR - HOOK

Kit includes:

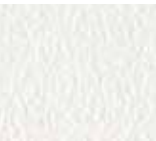








- n° 1 towel bar LEFT
- n° 1 hook



COLOUR	Art. Nr.
 <b>F20</b>	5991990310624
 <b>R40</b>	5991990310625
 <b>R27</b>	5991990310626
 <b>R13</b>	5991990310627
 <b>R16</b>	5991990310628
 <b>R05</b>	5991990310629
 <b>H30</b>	5991990310630
 <b>T01</b>	5991990310680
 <b>T11</b>	5991990310681

## COLOURS

### TOWEL BAR | HOOK

GLOSSY								
	<b>F20</b> MILKY	<b>RAL 1013 - R40</b> PEARL WHITE	<b>R27</b> METAL GREY	<b>RAL 9005 - R13</b> JET BLACK	<b>RAL 2004 - R16</b> PURE ORANGE	<b>RAL 1021 - R05</b> YELLOW RAPE	<b>RAL 1021 - R05</b> GREEN APPLE	
	MATT							
		<b>T01</b> MATT BLACK	<b>T11</b> MATT WHITE					

Please refer to Cordivari Colours chart, in order to see the real colour.



reddot award 2017  
winner



archiproducts  
DESIGN AWARDS  
WINNER 2018



GERMAN  
DESIGN  
AWARD  
SPECIAL  
2019

## WOOD SHELVES

Kit includes:

- n° 1 wood shelf L. 286
- n° 1 wood shelf L. 692

Available only for vertical Frame radiator L 464 mm - Available only for vertical Frame radiator L .464 mm

	WOOD FINISHINGS	Art. Nr.
	 OAK MOKA TEXTURED	5991990500035
	 OAK WHITE TEXTURED	5991990500036
	 WHITENED OAK	5991990500037

## WOOD SHELVES

Kit includes:

- n° 1 TOP wood shelf L 800
- n° 1 BOTTOM wood shelf L 800

Available only for horizontal Frame radiator

	WOOD FINISHINGS	Art. Nr.
	 OAK MOKA TEXTURED	5991990500038
	 OAK WHITE TEXTURED	5991990500039
	 WHITENED OAK	5991990500040

## WOOD FINISHINGS

### SHELVES



OAK MOKA TEXTURED



OAK WHITE TEXTURED



WHITENED OAK




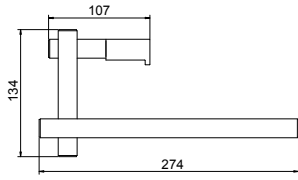
reddot award 2017  
winner



## TOWEL BAR LEFT - L. 274 mm

Material: Painted Mild Steel - Available for all vertical Frame radiators

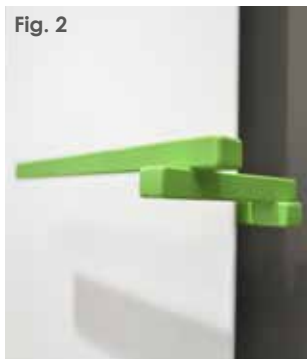


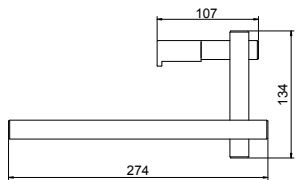


COLOUR	Art. Nr.
<b>F20</b>	5991990332214
<b>R40</b>	5991990332215
<b>R27</b>	5991990332216
<b>R13</b>	5991990332217
<b>R16</b>	5991990332218
<b>R05</b>	5991990332219
<b>H30</b>	5991990332190
<b>T01</b>	5991990333342
<b>T11</b>	5991990333343

## TOWEL BAR DX - L. 274 mm

Material: Painted Mild Steel - Available for all vertical Frame radiators




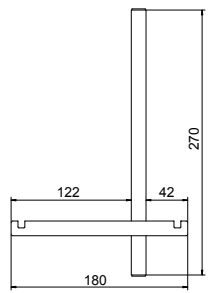


COLOUR	Art. Nr.
<b>F20</b>	5991990332220
<b>R40</b>	5991990332221
<b>R27</b>	5991990332222
<b>R13</b>	5991990332223
<b>R16</b>	5991990332224
<b>R05</b>	5991990332225
<b>H30</b>	5991990332191
<b>T01</b>	5991990333344
<b>T11</b>	5991990333345

## HOOK - L. 180 X H. 270 mm

Material: Painted Mild Steel - Available for all vertical Frame radiators



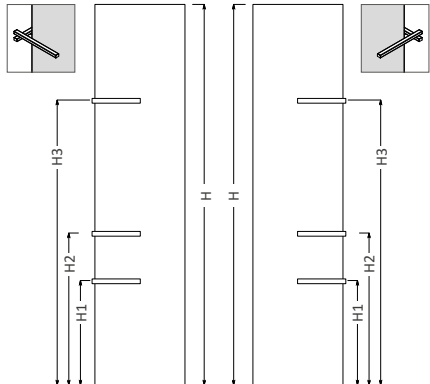


COLOUR	Art. Nr.
<b>F20</b>	5991990310601
<b>R40</b>	5991990310606
<b>R27</b>	5991990310605
<b>R13</b>	5991990310603
<b>R16</b>	5991990310602
<b>R05</b>	5991990310615
<b>H30</b>	5991990310604
<b>T01</b>	5991990310428
<b>T11</b>	5991990310445

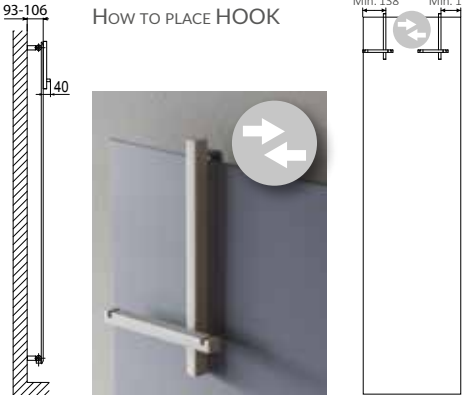
### HOW TO PLACE TOWEL BARS

H	H1	H2	H3
[mm]			
1022	300	500	800
1222	400	600	1000
1422	400	700	1200
1622	500	800	1300
1822	500	800	1400
2022	500	800	1500

### SX - LEFT      DX - RIGHT



### HOW TO PLACE HOOK



Adjustable hook

NOTICE: Positioning sketches are referred to the different fitting options for each single product.



reddot award 2017  
winner



archiproducts  
DESIGN AWARDS  
WINNER 2018



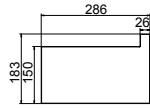
GERMAN  
DESIGN  
AWARD  
SPECIAL  
2019

## WOOD SHELF - L. 286 mm

Available for all vertical Frame radiators



Fig. 4



### WOOD FINISHINGS

Art. Nr.

**OAK MOKA TEXTURED** 5991990500014

**OAK WHITE TEXTURED** 5991990500015

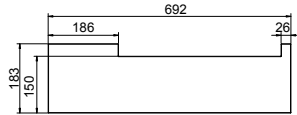
**WHITENED OAK** 5991990500016

## WOOD SHELF - L. 692 mm

Available only for vertical Frame radiator L. 464 mm



Fig. 5



### WOOD FINISHINGS

Art. Nr.

**OAK MOKA TEXTURED** 5991990500026

**OAK WHITE TEXTURED** 5991990500027

**WHITENED OAK** 5991990500028

## TOP/BOTTOM WOOD SHELF - L. 800 mm

Available for horizontal Frame radiators

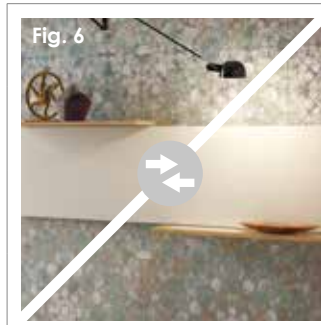
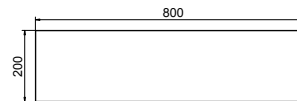


Fig. 6



Adjustable shelves

### WOOD FINISHINGS

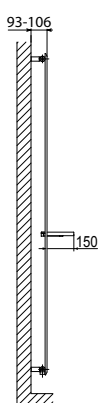
Art. Nr.  
TOP SHELF

Art. Nr.  
BOTTOM SHELF

**OAK MOKA TEXTURED** 5991990500029 5991990500032

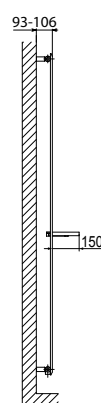
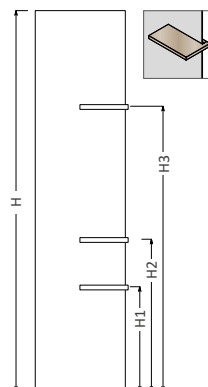
**OAK WHITE TEXTURED** 5991990500030 5991990500033

**WHITENED OAK** 5991990500031 5991990500034



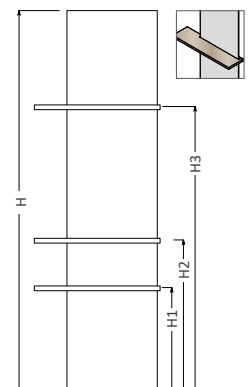
### HOW TO PLACE SHELF L. 286 mm

H	H1	H2	H3
[mm]			
1022	300	500	800
1222	400	600	1000
1422	400	700	1200
1622	500	800	1300
1822	500	800	1400
2022	500	800	1500



### HOW TO PLACE SHELF L. 692 mm

H	H1	H2	H3
[mm]			
1022	300	500	800
1222	400	600	1000
1422	400	700	1200
1622	500	800	1300
1822	500	800	1400
2022	500	800	1500



Notice: Positioning sketches are referred to the different fitting options for each single product.



# FRAME INOX ELECTRIC



PAGE 134



EUROPEAN WARRANTY

## MATERIAL:

Horizontal collector in painted carbon steel with  $\varnothing$  of 30 mm  
Heating elements in painted carbon steel  
Heating plate in polished stainless steel  
Glycolate water

## FIXING KIT:

Brackets, hexagonal tool, plugs and screws for mounting suitable for use on compact or hollow brick, user notice.  
The kit is certified from TÜV in compliance with VDI 6036-class 4.

## PACKAGING:

The radiator is protected by a film in polyethylene and with a carton box.  
User notice included.

## FEATURES:

Heating plate is totally made in stainless steel with an unalterable finishing.  
Brightness guaranteed during the years.

## PRODUCT CERTIFICATES



Electrical resistors: CLASS 1

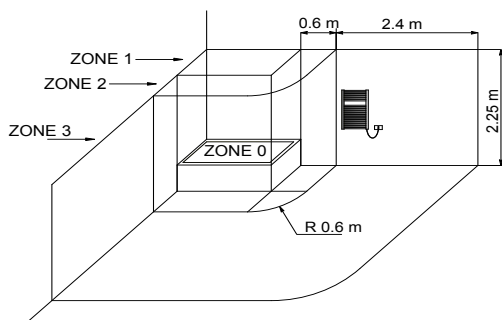
Minimum class protection: IP 44

Seasonal energy efficiency  $\eta_s$ :  $\geq 38\%$

Wire Length: 1200 mm with Schuko plug

Electrical only: With digital thermostat and remote control

## HOW TO PLACE ELECTRIC RADIATORS



The national rules on installing electrical equipment in the bathroom must be scrupulously respected. The electric radiators must be always installed outside zone 1 and 2. In particular the electric switch and control elements must be mandatorily located in zone 3, in order that no electrical control center is accessible to a anyone using the shower or bath.



All Cordivari electric radiators are in line with the new European regulation UE 2015/1188. The new regulation imposes a seasonal energy efficiency of electrical appliances for ambient heating with a nominal thermal output over 250 W and not less than 38%.

The seasonal energy efficiency of ambient heating ( $\eta_s$ ) is expressed with the ratio between the demand of ambient heating supplied by a heating appliance and the annual energy consumption required to meet this demand, expressed as percentage. The Cordivari ErP is in line with the new Ecodesign directives, which are characterized by a great efficiency combined with the maximum attention to energy saving. In particular the radiators are at least equipped with: electronic temperature control; open window sensor; weekly program timer.

Thanks to the new fully programmable digital thermostats and sensors present on the radiators, now the new Cordivari ErP electric radiators, heat, efficiency and energy saving are the best allies of your comfort.

## INCLUDED



Remote control for top digital thermostat

## MAIN FEATURES AND FUNCTIONS:

CRONO: function of chrono-thermostat with daily or weekly programming with two temperature levels (Comfort/Eco)

COMFORT: Possibility of setting your own desired temperature for time slot for higher comfort

ECO: Possibility of keeping the temperature constant with lower power consumption. Useful for energy saving when the room is not occupied.

ANTI-FREEZE: Useful if the room is not used for long periods

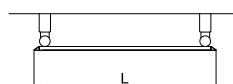
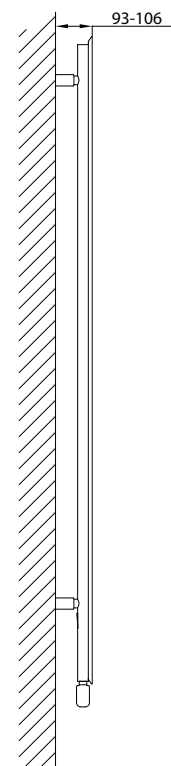
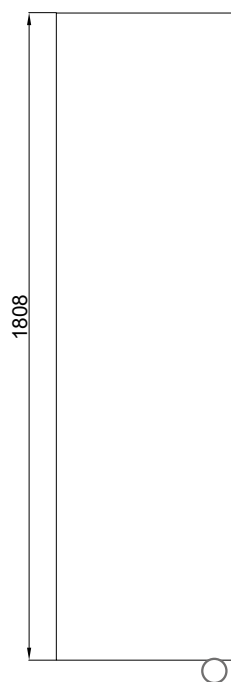
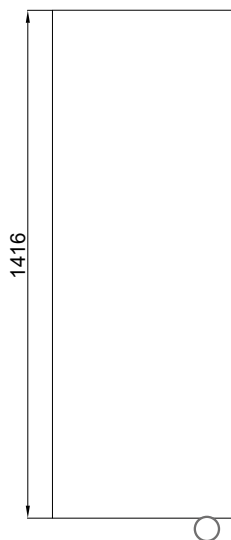
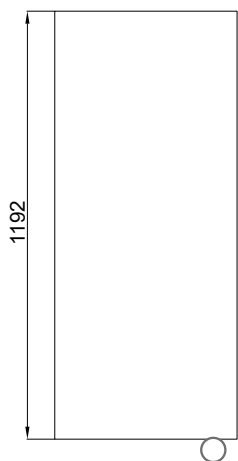
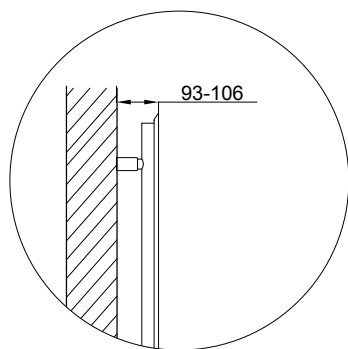
TIMER/FORCED MARCH: Useful to heat rapidly the room and dry towels thanks to 2h of forced march at max. Power.

CHILD SAFETY LOCK: special purpose lock of the display panel so to avoid any accidental alteration

REMOTE CONTROL (optional): The digital thermostat is equipped with an infrared remote control useful to manage all the aforementioned functions.

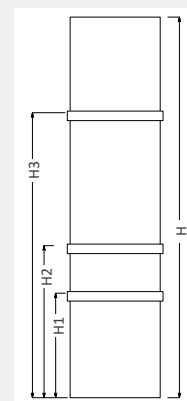
Accessories and spare parts - see from page 328.



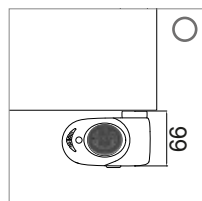


#### POSITIONING OF TOWEL BAR (ACCESSORIES)

H	H1	H2	H3
[mm]			
<b>1192</b>	430	630	1030
<b>1416</b>	430	730	1230
<b>1808</b>	530	830	1230



#### TOP DIGITAL THERMOSTAT



The general footprint has to be calculated considering the thermostat height

#### FRAME INOX ELECTRIC

Art. Nr.	Height	Width	Thermal output	Weight
	H [mm]	L [mm]	Watt	[Kg]
KIT - DIGITAL THERMOSTAT				
3605550400001	<b>1192</b>	502	700	23
3605550400002	<b>1416</b>	502	900	26
3605550400003	<b>1416</b>	552	1000	29
3605550400004	<b>1808</b>	552	1200	37



# FRAME ELECTRIC



PAGE 136



EUROPEAN WARRANTY

### MATERIAL:

Vertical collectors in painted carbon steel with  $\varnothing$  of 30 mm  
Heating elements in painted carbon steel  
Heating plate in painted carbon steel  
Glycolate water

### FIXING KIT:

Brackets, hexagonal tool, plugs and screws for mounting suitable for use on compact or hollow brick, user notice.  
The kit is certified from TÜV in compliance with VDI 6036-class 4.

### PACKAGING:

The radiator is protected by a film in polyethylene and with a carton box.  
User notice included.

### PAINTING PROCESS:

Painted with ecological epoxy. (Certificate DIN 55900-1,-2).

### COLOURS:

Radiator and accessories: standard white colour R01.

## PRODUCT CERTIFICATES



Electrical resistors: CLASS 1

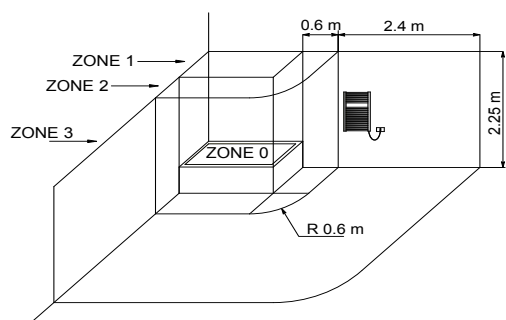
Minimum class protection: IP 44

Seasonal energy efficiency  $\eta_s$ :  $\geq 38\%$

Wire Length: 1200 mm with Schuko plug

Electrical only: With digital thermostat and remote control

## HOW TO PLACE ELECTRIC RADIATORS



The national rules on installing electrical equipment in the bathroom must be scrupulously respected. The electric radiators must be always installed outside zone 1 and 2. In particular the electric switch and control elements must be mandatorily located in zone 3, in order that no electrical control center is accessible to a anyone using the shower or bath.



All Cordivari electric radiators are in line with the new European regulation UE 2015/1188. The new regulation imposes a seasonal energy efficiency of electrical appliances for ambient heating with a nominal thermal output over 250 W and not less than 38%.

The seasonal energy efficiency of ambient heating ( $\eta_s$ ) is expressed with the ratio between the demand of ambient heating supplied by a heating appliance and the annual energy consumption required to meet this demand, expressed as percentage. The Cordivari ErP is in line with the new Ecodesign directives, which are characterized by a great efficiency combined with the maximum attention to energy saving. In particular the radiators are at least equipped with: electronic temperature control; open window sensor; weekly program timer.

Thanks to the new fully programmable digital thermostats and sensors present on the radiators, now the new Cordivari ErP electric radiators, heat, efficiency and energy saving are the best allies of your comfort.

## INCLUDED



Remote control for top digital thermostat

### MAIN FEATURES AND FUNCTIONS:

CRONO: function of chrono-thermostat with daily or weekly programming with two temperature levels (Comfort/Eco)

COMFORT: Possibility of setting your own desired temperature for time slot for higher comfort

ECO: Possibility of keeping the temperature constant with lower power consumption. Useful for energy saving when the room is not occupied.

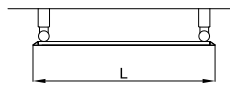
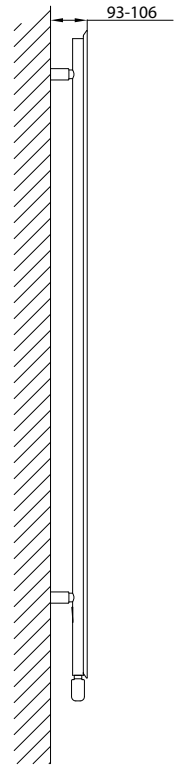
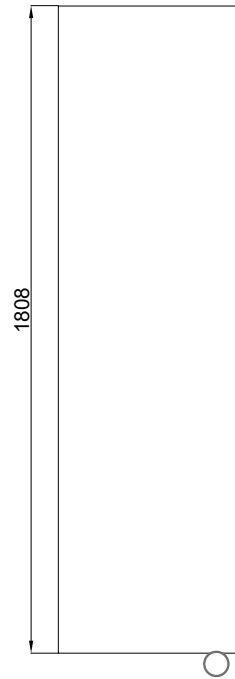
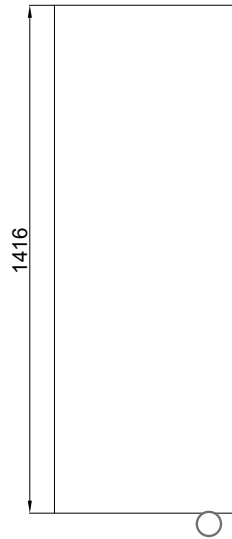
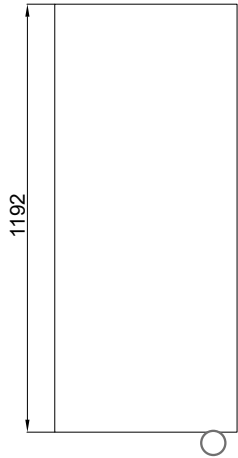
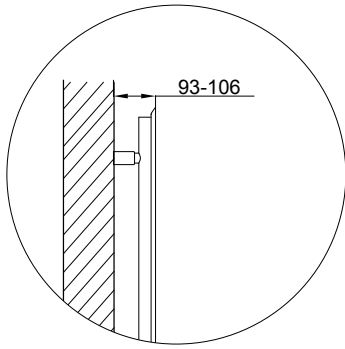
ANTI-FREEZE: Useful if the room is not used for long periods

TIMER/FORCED MARCH: Useful to heat rapidly the room and dry towels thanks to 2h of forced march at max. Power.

CHILD SAFETY LOCK: special purpose lock of the display panel so to avoid any accidental alteration

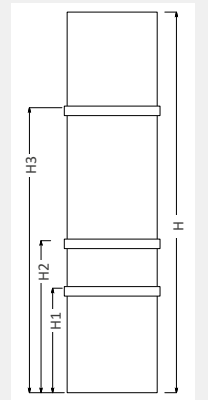
REMOTE CONTROL (optional): The digital thermostat is equipped with an infrared remote control useful to manage all the aforementioned functions.

Accessories and spare parts - see from page 328.

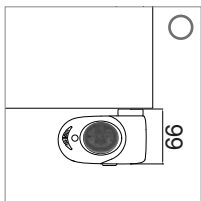


POSITIONING OF TOWEL BAR (ACCESSORIES)

H	H1	H2	H3
[mm]			
<b>1192</b>	430	630	1030
<b>1416</b>	430	730	1230
<b>1808</b>	530	830	1230



### TOP DIGITAL THERMOSTAT



The general footprint has to be calculated considering the thermostat height

### FRAME ELECTRIC

Art. Nr.	Height	Width	Thermal output	Weight
	H [mm]	L [mm]	Watt	[Kg]
KIT - DIGITAL THERMOSTAT				
3605556100001	<b>1192</b>	502	700	23
3605556100002	<b>1416</b>	502	900	26
3605556100003	<b>1416</b>	552	1000	29
3605556100004	<b>1808</b>	552	1200	37

Art. Nr. are referred to colour WHITE R01 version.

INOX STYLE

EXTRASLIM®

NEO DESIGN

CLASSIC LINE

GRAPHIC PICTURE

VALVES AND ACCESSORIES  
TECHNICAL SUPPORT



# FRAME INOX BLOWER



PAGE 138



EUROPEAN WARRANTY

### MATERIAL:

Horizontal collector in painted carbon steel with  $\varnothing$  of 30 mm  
Heating elements in painted carbon steel  
Heating plate in polished stainless steel  
Glycolate water

### FIXING KIT:

Brackets, hexagonal tool, plugs and screws for mounting suitable for use on compact or hollow brick, user notice.

The kit is certified from TÜV in compliance with VDI 6036-class 4.

### ELECTRIC MODULE FOR VENTILATED FUNCTION:

Power 1000 Watt - 230 V 50 Hz | ON/OFF Switch | Setting the temperature: +10°C to + 30°C.

### PACKAGING:

The radiator is protected by a film in polyethylene and with a carton box.  
User notice included.

### FEATURES:

Heating plate is totally made in stainless steel with an unalterable finishing.  
Brightness guaranteed during the years.

## PRODUCT CERTIFICATES



Electrical resistors: CLASS 2

Minimum class protection: IP 24

Seasonal energy efficiency  $\eta_s$ : 40%

Wire Length: 800 mm with Schuko plug

Available electric resistances: with BLOWER electric module for the ventilated function



The "Blower" electric fan module is supplied in grey color.

## ELECTRIC VENTILATION THERMO MODULE:

- Ultra-discrete: The controller on the back of the radiator is aesthetically invisible
- Excellent ergonomic settings
- "Intelligent" electronic control: stable and accurate temperature throughout the year
- Energy saving package
- Super comfort mode (automatic boost): instantaneous heating, the hot air blower allows an automatic and rapid increase of the ambient temperature, following ECO, Antifreeze or Standby periods
- Reduced thickness behind the radiator
- Active memory: time and settings are saved by the EEPROM if the main electricity supply is interrupted.



All Cordivari electric radiators are in line with the new European regulation UE 2015/1188. The new regulation imposes a seasonal energy efficiency of electrical appliances for ambient heating with a nominal thermal output over 250 W and not less than 38%.

The seasonal energy efficiency of ambient heating ( $\eta_s$ ) is expressed with the ratio between the demand of ambient heating supplied by a heating appliance and the annual energy consumption required to meet this demand, expressed as percentage. The Cordivari ErP is in line with the new Ecodesign directives, which are characterized by a great efficiency combined with the maximum attention to energy saving. In particular the radiators are at least equipped with: electronic temperature control; open window sensor; weekly program timer.

Thanks to the new fully programmable digital thermostats and sensors present on the radiators, now the new Cordivari ErP electric radiators, heat, efficiency and energy saving are the best allies of your comfort.

## ACCESSORIES

### Wireless remote control



Art. Nr. 5150990000011

Remote control of "BLOWER" ventilated functioning

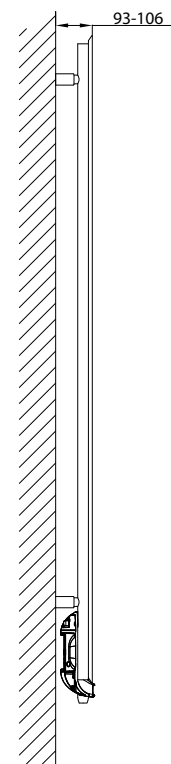
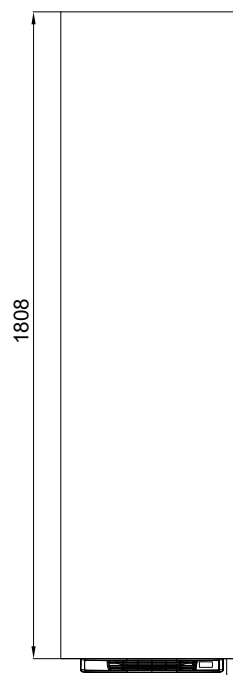
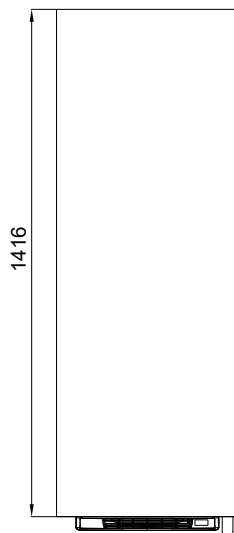
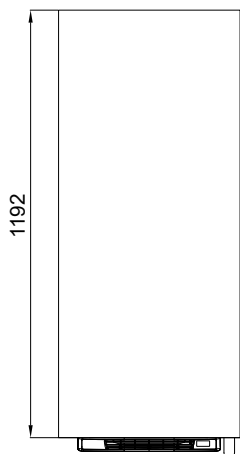
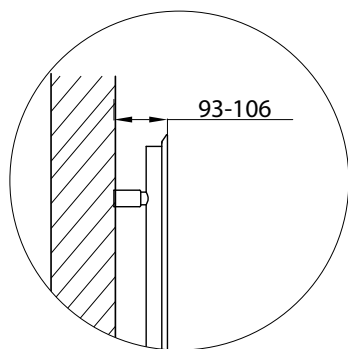


### STRAIGHT HANGER POLISHED FOR MODELS FRAME ELECTRIC - FRAME BLOWER

L. 511 (L= 560 mm)  
Art. Nr. 5991990300191

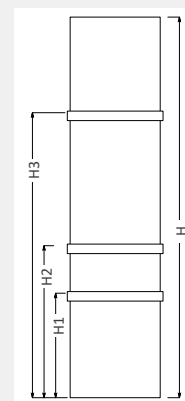
L. 561 (L= 610 mm)  
Art. Nr. 5991990300192

Accessories and spare parts - see from page 328.



POSITIONING OF  
TOWEL BAR  
(ACCESSORIES)

H	H1	H2	H3
[mm]			
<b>1192</b>	430	630	1030
<b>1416</b>	430	730	1230
<b>1808</b>	530	830	1230



## FRAME INOX BLOWER

Art. Nr.	Height	Width	Output	BLOWER Output	Weight
	H [mm]	L [mm]	Watt	Watt	[Kg]
3605550401001	<b>1192</b>	502	750	1000	27
3605550401002	<b>1416</b>	502	900	1000	31
3605550401003	<b>1416</b>	552	1000	1000	33
3605550401004	<b>1808</b>	552	1200	1000	41

INOX STYLE

EXTRASLIM®

NEO DESIGN

CLASSIC LINE

GRAPHIC PICTURE

VALVES AND ACCESSORIES  
TECHNICAL SUPPORT



# FRAME BLOWER



PAGE 138

EUROPEAN  
WARRANTY

### MATERIAL:

Horizontal collectors in painted carbon steel with  $\varnothing$  of 30 mm  
Heating elements in painted carbon steel  
Heating plate in painted carbon steel  
Glycolate water

### FIXING KIT:

Brackets, hexagonal tool, plugs and screws for mounting suitable for use on compact or hollow brick, user notice.  
The kit is certified from TÜV in compliance with VDI 6036-class 4.

### ELECTRIC MODULE FOR VENTILATED FUNCTION:

Power 1000 Watt - 230 V 50 Hz | ON/OFF Switch | Setting the temperature: +10°C to + 30°C.

### PACKAGING:

The radiator is protected by a film in polyethylene and with a carton box.  
User notice included.

### PAINTING PROCESS:

Painted with ecological epoxy. (Certificate DIN 55900-1,-2).

### COLOURS:

Radiator and accessories: standard white colour R01.  
For other colours see page 350.

## PRODUCT CERTIFICATES



Electrical resistors: CLASS 2

Minimum class protection: IP 24

Seasonal energy efficiency  $\eta_s$ : 40%

Wire Width: 800 mm with Schuko plug

Available electric resistances: with BLOWER electric module for the ventilated function



## ELECTRIC VENTILATION THERMO MODULE:

- Ultra-discrete: The controller on the back of the radiator is aesthetically invisible
- Excellent ergonomic settings
- "Intelligent" electronic control: stable and accurate temperature throughout the year
- Energy saving package
- Super comfort mode (automatic boost): instantaneous heating, the hot air blower allows an automatic and rapid increase of the ambient temperature, following ECO, Antifreeze or Standby periods
- Reduced thickness behind the radiator
- Active memory: time and settings are saved by the EEPROM if the main electricity supply is interrupted.

For radiators realized in a color other than the standard white, the "Blower" electric fan module is supplied in grey color.



All Cordivari electric radiators are in line with the new European regulation UE 2015/1188. The new regulation imposes a seasonal energy efficiency of electrical appliances for ambient heating with a nominal thermal output over 250 W and not less than 38%.

The seasonal energy efficiency of ambient heating ( $\eta_s$ ) is expressed with the ratio between the demand of ambient heating supplied by a heating appliance and the annual energy consumption required to meet this demand, expressed as percentage. The Cordivari ErP is in line with the new Ecodesign directives, which are characterized by a great efficiency combined with the maximum attention to energy saving. In particular the radiators are at least equipped with: electronic temperature control; open window sensor; weekly program timer.

Thanks to the new fully programmable digital thermostats and sensors present on the radiators, now the new Cordivari ErP electric radiators, heat, efficiency and energy saving are the best allies of your comfort.

## ACCESSORIES

### Wireless remote control



Art. Nr. 5150990000011

Remote control of "BLOWER" ventilated functioning

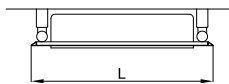
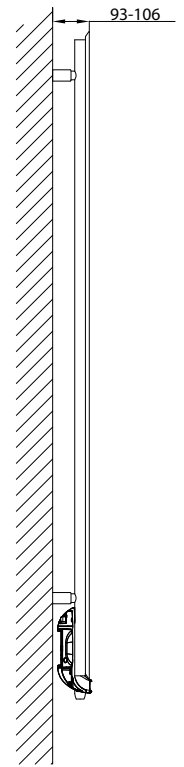
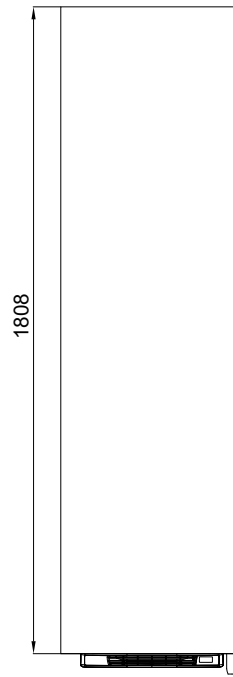
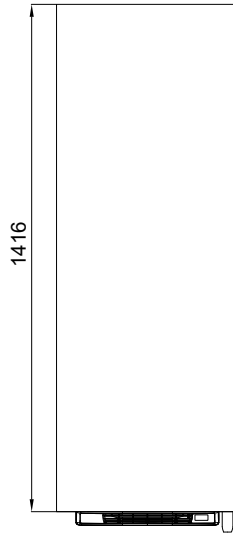
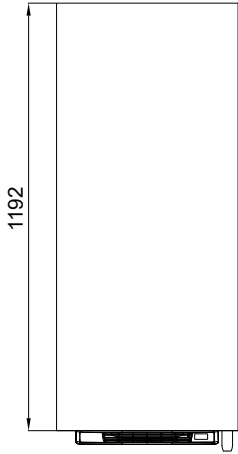
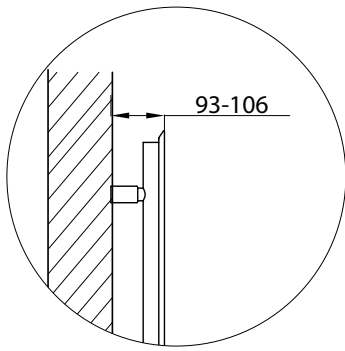


### STRAIGHT HANGER PAINTED FOR MODELS FRAME ELECTRIC - FRAME BLOWER

L. 511 (L= 560 mm)  
Art. Nr. 5991990310664

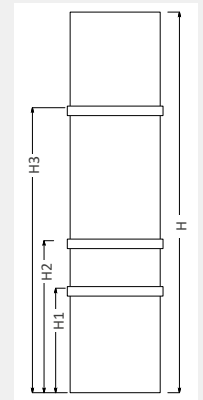
L. 561 (L= 610 mm)  
Art. Nr. 5991990310665

Accessories and spare parts - see from page 328.



POSITIONING OF TOWEL BAR (ACCESSORIES)

H	H1	H2	H3
[mm]			
<b>1192</b>	430	630	1030
<b>1416</b>	430	730	1230
<b>1808</b>	530	830	1230



## FRAME BLOWER

Art. Nr.	Height	Width	Output	BLOWER Output	Weight
	H [mm]	L [mm]	Watt	Watt	[Kg]
3605556101001	<b>1192</b>	502	750	1000	27
3605556101002	<b>1416</b>	502	900	1000	31
3605556101003	<b>1416</b>	552	1000	1000	33
3605556101004	<b>1808</b>	552	1200	1000	41

Art. Nr. are referred to colour WHITE R01 version.

INOX STYLE

EXTRASLIM®

NEO DESIGN

CLASSIC LINE

GRAPHIC PICTURE

VALVES AND ACCESSORIES  
TECHNICAL SUPPORT



# FRAME INOX BLOWER DUAL ENERGY



PAGE 140



EUROPEAN WARRANTY

## MATERIAL:

Horizontal collector in painted carbon steel with  $\varnothing$  of 30 mm  
Heating elements in painted carbon steel  
Heating plate in polished stainless steel  
Glycolate water

## FIXING KIT:

Brackets, hexagonal tool, plugs and screws for mounting suitable for use on compact or hollow brick, user notice.  
The kit is certified from TÜV in compliance with VDI 6036-class 4.

## ELECTRIC MODULE FOR VENTILATED FUNCTION:

Power 1000 Watt - 230 V 50 Hz | ON/OFF Switch | Setting the temperature: +10°C to + 30°C.

## PACKAGING:

The radiator is protected by a film in polyethylene and with a carton box.  
User notice included.

## FEATURES:

Heating plate is totally made in stainless steel with an unalterable finishing.  
Brightness guaranteed during the years.

## PRODUCT CERTIFICATES



Electrical resistors: CLASS 2

Minimum class protection: IP 24

Seasonal energy efficiency  $\eta_s$ : 40%

Wire Length: 800 mm with Schuko plug

Available electric resistances: with BLOWER electric module for the ventilated function



The "Blower" electric fan module is supplied in grey color.



All Cordivari electric radiators are in line with the new European regulation UE 2015/1188. The new regulation imposes a seasonal energy efficiency of electrical appliances for ambient heating with a nominal thermal output over 250 W and not less than 38%.

The seasonal energy efficiency of ambient heating ( $\eta_s$ ) is expressed with the ratio between the demand of ambient heating supplied by a heating appliance and the annual energy consumption required to meet this demand, expressed as percentage. The Cordivari ErP is in line with the new Ecodesign directives, which are characterized by a great efficiency combined with the maximum attention to energy saving. In particular the radiators are at least equipped with: electronic temperature control; open window sensor; weekly program timer.

Thanks to the new fully programmable digital thermostats and sensors present on the radiators, now the new Cordivari ErP electric radiators, heat, efficiency and energy saving are the best allies of your comfort.

## ACCESSORIES

### Wireless remote control



Art. Nr. 5150990000011

Remote control of "BLOWER" ventilated functioning



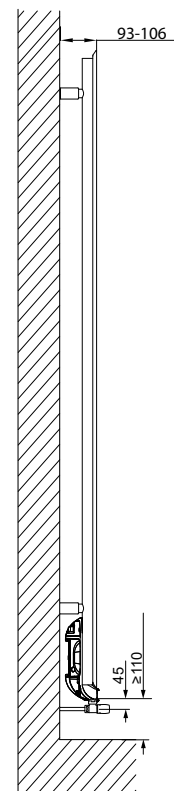
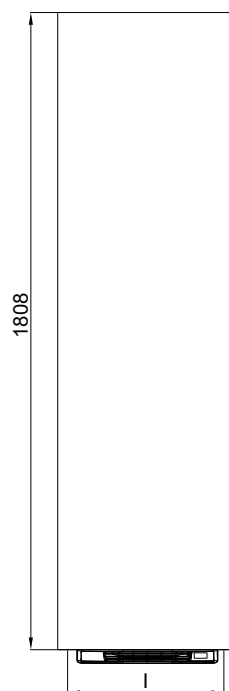
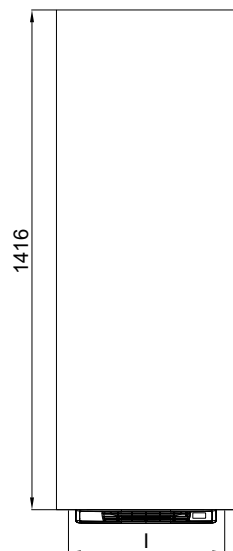
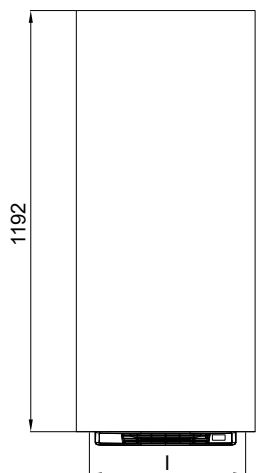
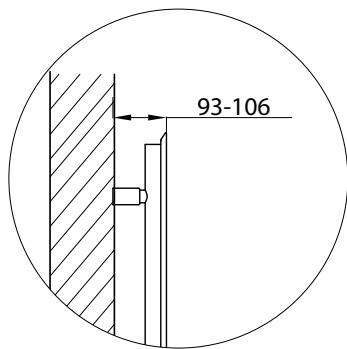
### STRAIGHT HANGER POLISHED FOR MODELS FRAME ELECTRIC - FRAME BLOWER

L. 511 (L= 560 mm)  
Art. Nr. 5991990300191

L. 561 (L= 610 mm)  
Art. Nr. 5991990300192

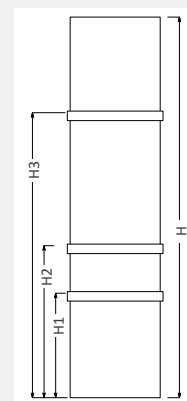
Accessories and spare parts - see from page 328.





POSITIONING OF TOWEL BAR (ACCESSORIES)

H	H1	H2	H3
[mm]			
<b>1192</b>	430	630	1030
<b>1416</b>	430	730	1230
<b>1808</b>	530	830	1230



## FRAME INOX BLOWER DUAL ENERGY

Art. Nr.	Height	Width	Pipe Centres	Dry Weight	Surface	Water Content	Thermal output Watt		Exponent n	Output BLOWER Watt
	H [mm]	L [mm]	I [mm]	[Kg]	[m <sup>2</sup> ]	[lt]	$\Delta t = 50^{\circ}\text{C}$	$\Delta t = 30^{\circ}\text{C}$		
3605550401015	<b>1192</b>	502	450	22,1	1,4	5	615	326	1,2422	1000
3605550401016	<b>1416</b>	502	450	29,4	1,6	6	723	383	1,2433	1000
3605550401017	<b>1416</b>	552	500	31,2	1,8	6,5	799	423	1,2433	1000
3605550401018	<b>1808</b>	552	500	38,7	2,3	7,7	1007	533	1,2452	1000

For output at different  $\Delta t$  than  $50^{\circ}\text{C}$ , please refer to the following formula: desired output = output at  $\Delta t 50^{\circ}\text{C} \times (\text{desired } \Delta t/50)^{1/n}$



# FRAME BLOWER DUAL ENERGY



PAGE 142



EUROPEAN WARRANTY

### MATERIAL:

Horizontal collectors in painted carbon steel with  $\varnothing$  of 30 mm  
Heating elements in painted carbon steel  
Heating plate in painted carbon steel  
Glycolate water

### FIXING KIT:

Brackets, hexagonal tool, plugs and screws for mounting suitable for use on compact or hollow brick, user notice.  
The kit is certified from TÜV in compliance with VDI 6036-class 4.

### ELECTRIC MODULE FOR VENTILATED FUNCTION:

Power 1000 Watt - 230 V 50 Hz | ON/OFF Switch | Setting the temperature: +10°C to + 30°C.

### PACKAGING:

The radiator is protected by a film in polyethylene and with a carton box.  
User notice included.

### PAINTING PROCESS:

Painted with ecological epoxy. (Certificate DIN 55900-1,-2).

### COLOURS:

Radiator and accessories: standard white colour R01.  
For other colours see page 350.

## PRODUCT CERTIFICATES



Electrical resistors: CLASS 2

Minimum class protection: IP 24

Seasonal energy efficiency  $\eta_s$ : 40%

Wire Width: 800 mm with Schuko plug

Available electric resistances: with BLOWER electric module for the ventilated function



For radiators realized in a color other than the standard white, the "Blower" electric fan module is supplied in grey color.



All Cordivari electric radiators are in line with the new European regulation UE 2015/1188. The new regulation imposes a seasonal energy efficiency of electrical appliances for ambient heating with a nominal thermal output over 250 W and not less than 38%.

The seasonal energy efficiency of ambient heating ( $\eta_s$ ) is expressed with the ratio between the demand of ambient heating supplied by a heating appliance and the annual energy consumption required to meet this demand, expressed as percentage. The Cordivari ErP is in line with the new Ecodesign directives, which are characterized by a great efficiency combined with the maximum attention to energy saving. In particular the radiators are at least equipped with: electronic temperature control; open window sensor; weekly program timer.

Thanks to the new fully programmable digital thermostats and sensors present on the radiators, now the new Cordivari ErP electric radiators, heat, efficiency and energy saving are the best allies of your comfort.

## ACCESSORIES

### Wireless remote control



Art. Nr. 5150990000011

Remote control of "BLOWER" ventilated functioning

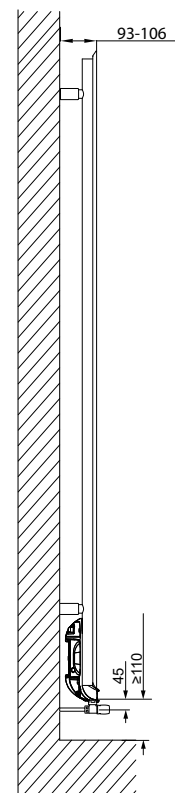
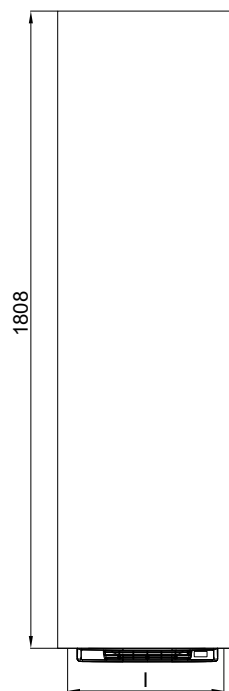
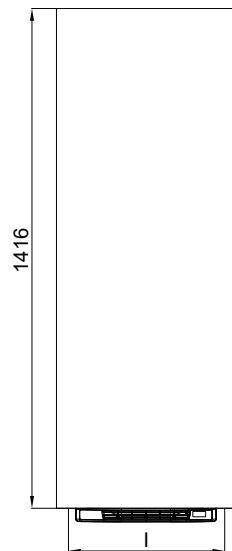
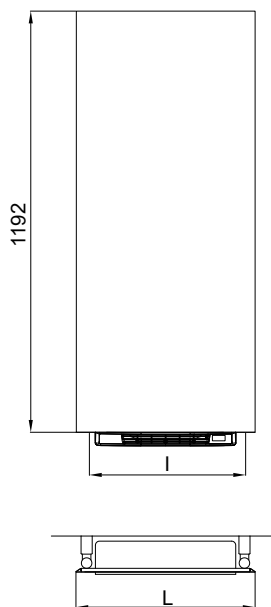
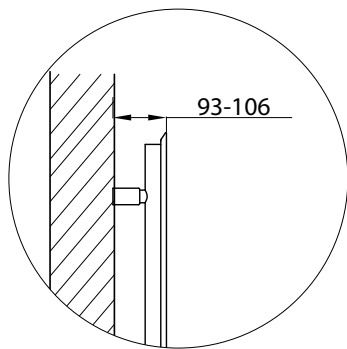


### STRAIGHT HANGER PAINTED FOR MODELS FRAME ELECTRIC - FRAME BLOWER

L. 511 (L= 560 mm)  
Art. Nr. 5991990310664

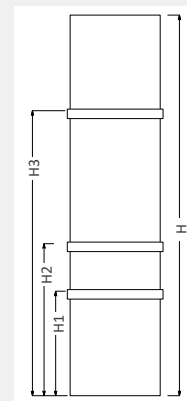
L. 561 (L= 610 mm)  
Art. Nr. 5991990310665

Accessories and spare parts - see from page 328.



POSITIONING OF TOWEL BAR (ACCESSORIES)

H	H1	H2	H3
[mm]			
<b>1192</b>	430	630	1030
<b>1416</b>	430	730	1230
<b>1808</b>	530	830	1230



## FRAME BLOWER DUAL ENERGY

Art. Nr.	Height	Width	Pipe Centres	Dry Weight	Surface	Water Content	Thermal output Watt		Exponent n	Output BLOWER Watt
	H [mm]	L [mm]	I [mm]	[Kg]	[m <sup>2</sup> ]	[lt]	$\Delta t = 50^{\circ}\text{C}$	$\Delta t = 30^{\circ}\text{C}$		
3605556101015	<b>1192</b>	502	450	22,1	1,4	5	615	326	1,2422	1000
3605556101016	<b>1416</b>	502	450	29,4	1,6	6	723	383	1,2433	1000
3605556101017	<b>1416</b>	552	500	31,2	1,8	6,5	799	423	1,2433	1000
3605556101018	<b>1808</b>	552	500	38,7	2,3	7,7	1007	533	1,2452	1000

Art. Nr. are referred to colour WHITE R01 version.

For output at different  $\Delta t$  than  $50^{\circ}\text{C}$ , please refer to the following formula: desired output = output at  $\Delta t 50^{\circ}\text{C} \times (\text{desired } \Delta t/50)^{1/n}$



# ANDREA



PAGE 144

**PATENTED**

**EUROPEAN  
WARRANTY**

### MATERIAL:

Vertical collector in painted carbon steel 90x30 mm.  
Horizontal heating elements in painted carbon steel 50x20 mm.

### FIXING KIT:

Brackets, airvent, hexagonal tool, plugs and screws for mounting suitable for use on compact or hollow brick, user notice.  
The kit is certified from TÜV in compliance with VDI 6036-class 4.

### PACKAGING:

The radiator is protected by a film in polyethylene and with a carton box.  
User notice included.

### PAINTING PROCESS:

Painted with ecological epoxy. (Certificate DIN 55900-1,-2).  
Thermal outputs certified in accredited laboratories in compliance with European norm EN442.

### COLOURS:

Radiator and accessories: standard white colour R01.  
For other colours see page 350.

## PRODUCT CERTIFICATES



Pression maximale de service: 5 bar

Température maximale de service: 110° C

Available for central heating systems

Connexions: n° 2 x 1/2" gaz - n° 2 x 1/2" gaz

## AWARD



## REVERSIBLE



## ACCESSORIES



**Elegant square manual valve kit painted pure white R01**

Copper connection Ø 12/14/15  
Art. Nr. 5991990310553

Multilayer connection Ø 16  
Art. Nr. 5991990310552



**Elegant square pipe centres 50 mm valve kit painted pure white R01 with thermostatic head - right**

Copper connection Ø 12/14/15  
Art. Nr. 5991990310543

Multilayer connection Ø 16  
Art. Nr. 5991990310542



**Tinta valve pipe centres 50 mm with thermostatic head - right**

Copper connection Ø 12/14/15  
Art. Nr. 5991990311217

Multilayer connection Ø 16  
Art. Nr. 5991990311216



**Elegant with thermostatic head square pure white R01 painted valve kit**

Copper connection Ø 12/14/15  
Art. Nr. 5991990310539

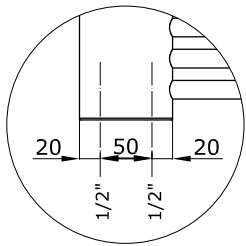
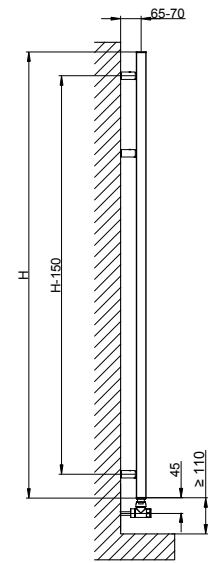
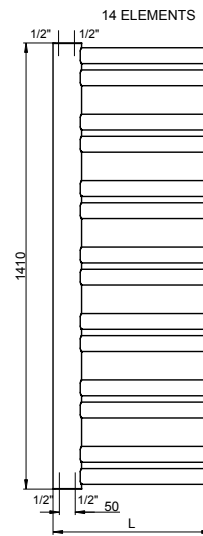
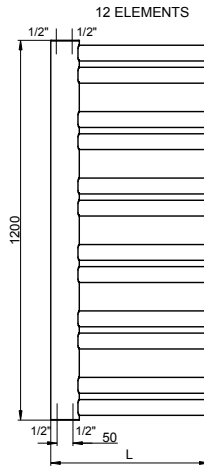
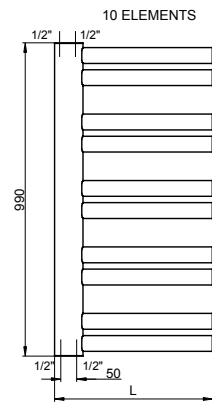
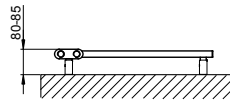
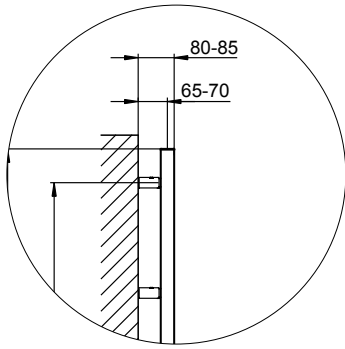
Multilayer connection Ø 16  
Art. Nr. 5991990310538



**Sleeving kit for Pipe Centres 50 mm - valves polished**

Art. Nr. 5103000000057

Accessories and spare parts - see from page 328.



## ANDREA

Art. Nr.	Height	Width	Pipe Centres	Dry Weight	Surface	Water Content	Thermal output Watt		Exponent n
	H [mm]	L [mm]	l [mm]	[Kg]	[m <sup>2</sup> ]	[lt]	$\Delta t = 50^{\circ}\text{C}$	$\Delta t = 30^{\circ}\text{C}$	
3551776100001	<b>990</b>	500	50	10,2	0,8	5,5	390	209	1,2326
3551776100002	<b>1200</b>	500	50	12,2	0,9	6,7	439	239	1,2457
3551776100003	<b>1410</b>	500	50	14,3	1,0	7,8	489	269	1,2499

Art. Nr. are referred to colour WHITE R01 version.

For output at different  $\Delta t$  than  $50^{\circ}\text{C}$ , please refer to the following formula: desired output = output at  $\Delta t 50^{\circ}\text{C}$  x (desired  $\Delta t/50$ )<sup>n</sup>



# ANDREA ELECTRIC



PAGE 150

PATENTED



EUROPEAN WARRANTY

### MATERIAL:

Vertical collector in painted carbon steel 90x30 mm  
Horizontal heating elements in painted carbon steel 50x20 mm  
Glycolate water

### FIXING KIT:

Brackets, hexagonal tool, plugs and screws for mounting suitable for use on compact or hollow brick, user notice.

The kit is certified from TÜV in compliance with VDI 6036-class 4.

### PACKAGING:

The radiator is protected by a film in polyethylene and with a carton box. User notice included.

### PAINTING PROCESS:

Painted with ecological epoxy. (Certificate DIN 55900-1,-2).

### COLOURS:

Radiator and accessories: standard white colour R01.  
For other colours see page 350.

## PRODUCT CERTIFICATES



Electrical resistors: CLASS 1

Minimum class protection: IP 44

Seasonal energy efficiency  $\eta_s$ :  $\geq 38\%$

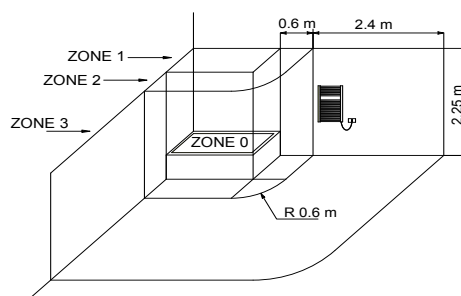
Wire Length: 1200 mm with Schuko plug

Electrical only: With digital thermostat and remote control

## AWARD



## HOW TO PLACE ELECTRIC RADIATORS



The national rules on installing electrical equipment in the bathroom must be scrupulously respected. The electric radiators must be always installed outside zone 1 and 2.

In particular the electric switch and control elements must be mandatorily located in zone 3, in order that no electrical control center is accessible to anyone using the shower or bath.



All Cordivari electric radiators are in line with the new European regulation UE 2015/1188. The new regulation imposes a seasonal energy efficiency of electrical appliances for ambient heating with a nominal thermal output over 250 W and not less than 38%.

The seasonal energy efficiency of ambient heating ( $\eta_s$ ) is expressed with the ratio between the demand of ambient heating supplied by a heating appliance and the annual energy consumption required to meet this demand, expressed as percentage. The Cordivari ErP is in line with the new Ecodesign directives, which are characterized by a great efficiency combined with the maximum attention to energy saving. In particular the radiators are at least equipped with: electronic temperature control; open window sensor; weekly program timer.

Thanks to the new fully programmable digital thermostats and sensors present on the radiators, now the new Cordivari ErP electric radiators, heat, efficiency and energy saving are the best allies of your comfort.

## INCLUDED



Remote control for top digital thermostat

### MAIN FEATURES AND FUNCTIONS:

CRONO: function of chrono-thermostat with daily or weekly programming with two temperature levels (Comfort/Eco)

COMFORT: Possibility of setting your own desired temperature for time slot for higher comfort

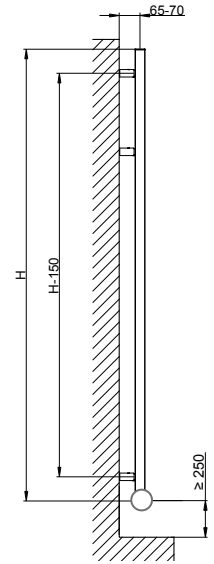
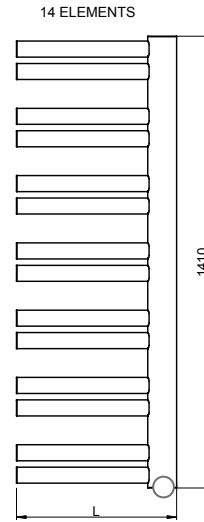
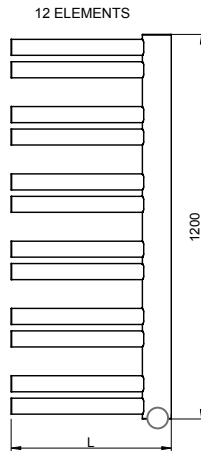
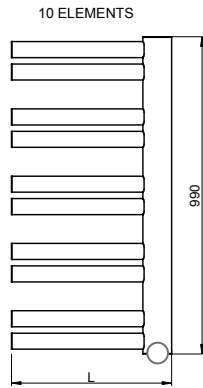
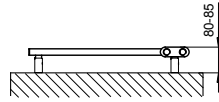
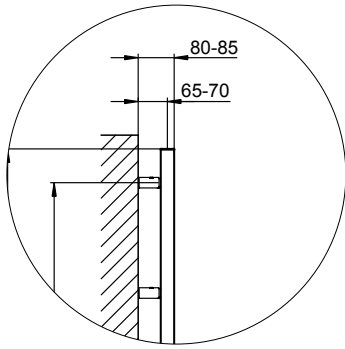
ECO: Possibility of keeping the temperature constant with lower power consumption. Useful for energy saving when the room is not occupied.

ANTI-FREEZE: Useful if the room is not used for long periods

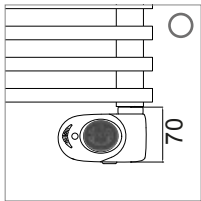
TIMER/FORCED MARCH: Useful to heat rapidly the room and dry towels thanks to 2h of forced march at max. Power.

CHILD SAFETY LOCK: special purpose lock of the display panel so to avoid any accidental alteration

REMOTE CONTROL (optional): The digital thermostat is equipped with an infrared remote control useful to manage all the aforementioned functions.



## TOP DIGITAL THERMOSTAT



The general footprint has to be calculated considering the thermostat height

## ANDREA ELECTRIC

Art. Nr.	Height	Width	Thermal output	Weight
	H [mm]	L [mm]	Watt	[Kg]
KIT - DIGITAL THERMOSTAT				
3581776100001	<b>990</b>	500	500	17
3581776100002	<b>1200</b>	500	600	20
3581776100003	<b>1410</b>	500	700	23

Art. Nr. are referred to colour WHITE R01 version.



# JACKY

**PATENTED**



PAGE 152

**EUROPEAN  
WARRANTY**

### MATERIAL:

Vertical collector in painted carbon steel 90x30 mm.  
Horizontal heating elements in painted carbon steel 50x20 mm.

### FIXING KIT:

Brackets, airvent, hexagonal tool, plugs and screws for mounting suitable for use on compact or hollow brick, user notice.  
The kit is certified from TÜV in compliance with VDI 6036-class 4.

### PACKAGING:

The radiator is protected by a film in polyethylene and with a carton box.  
User notice included.

### PAINTING PROCESS:

Painted with ecological epoxy. (Certificate DIN 55900-1,-2).  
Thermal outputs certified in accredited laboratories in compliance with European norm EN442.

### COLOURS:

Radiator and accessories: standard white colour R01.  
For other colours see page 350.

## PRODUCT CERTIFICATES



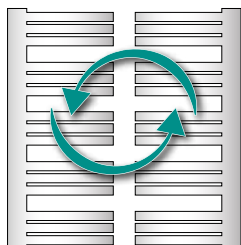
Pression maximale de service: 5 bar

Température maximale de service: 110° C

Available for central heating systems

Connexions: n° 2 x 1/2" gaz - n° 2 x 1/2" gaz

## REVERSIBLE



## ACCESSORIES



**Elegant square manual valve kit painted pure white R01**

Copper connection Ø 12/14/15  
Art. Nr. 5991990310553

Multilayer connection Ø 16  
Art. Nr. 5991990310552



**Elegant square pipe centres 50 mm valve kit painted pure white R01 with thermostatic head - right**

Copper connection Ø 12/14/15  
Art. Nr. 5991990310543

Multilayer connection Ø 16  
Art. Nr. 5991990310542



**Tinta valve pipe centres 50 mm with thermostatic head - right**

Copper connection Ø 12/14/15  
Art. Nr. 5991990311217

Multilayer connection Ø 16  
Art. Nr. 5991990311216



**Elegant with thermostatic head square pure white R01 painted valve kit**

Copper connection Ø 12/14/15  
Art. Nr. 5991990310539

Multilayer connection Ø 16  
Art. Nr. 5991990310538

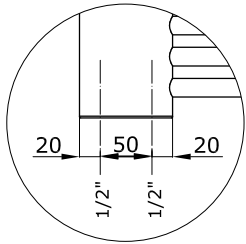
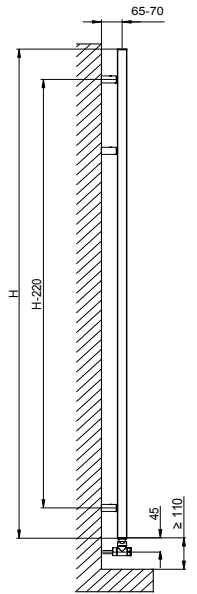
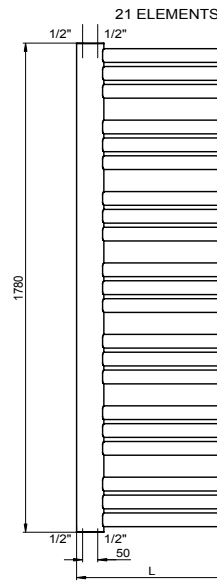
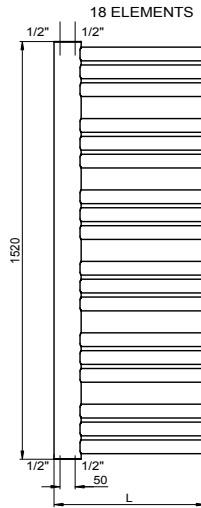
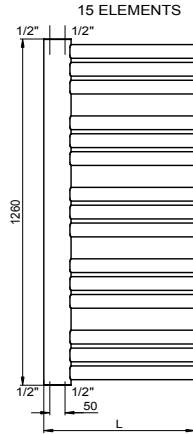
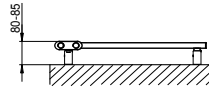
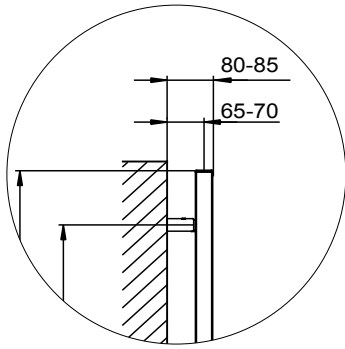


**Sleeving kit for Pipe Centres 50 mm - valves polished**

Art. Nr. 5103000000057

Accessories and spare parts - see from page 328.





## JACKY

Art. Nr.	Height	Width	Pipe Centres	Dry Weight	Surface	Water Content	Thermal output Watt		Exponent n
	H [mm]	L [mm]	l [mm]	[Kg]	[m <sup>2</sup> ]	[lt]	$\Delta t = 50^{\circ}\text{C}$	$\Delta t = 30^{\circ}\text{C}$	
3551776101001	<b>1260</b>	500	50	14,4	1,1	7,8	566	306	1,2030
3551776101002	<b>1520</b>	500	50	17,3	1,3	9,4	654	352	1,2133
3551776101003	<b>1780</b>	500	50	20,2	1,5	11,0	741	397	1,2233

Art. Nr. are referred to colour WHITE R01 version.

For output at different  $\Delta t$  than  $50^{\circ}\text{C}$ , please refer to the following formula: desired output = output at  $\Delta t 50^{\circ}\text{C}$  x (desired  $\Delta t/50$ )<sup>n</sup>



# JACKY ELECTRIC



PAGE 154

**PATENTED**



**EUROPEAN WARRANTY**

**MATERIAL:**

Vertical collector in painted carbon steel 90x30 mm  
Horizontal heating elements in painted carbon steel 50x20 mm  
Glycolate water

**FIXING KIT:**

Brackets, hexagonal tool, plugs and screws for mounting suitable for use on compact or hollow brick, user notice.

The kit is certified from TÜV in compliance with VDI 6036-class 4.

**PACKAGING:**

The radiator is protected by a film in polyethylene and with a carton box. User notice included.

**PAINTING PROCESS:**

Painted with ecological epoxy. (Certificate DIN 55900-1,-2).

**COLOURS:**

Radiator and accessories: standard white colour R01.  
For other colours see page 350.

## PRODUCT CERTIFICATES



Electrical resistors: CLASS 1

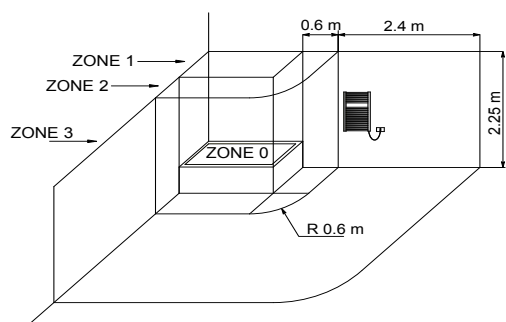
Minimum class protection: IP 44

Seasonal energy efficiency  $\eta_s$ :  $\geq 38\%$

Wire Length: 1200 mm with Schuko plug

Electrical only: With digital thermostat and remote control

## HOW TO PLACE ELECTRIC RADIATORS



The national rules on installing electrical equipment in the bathroom must be scrupulously respected. The electric radiators must be always installed outside zone 1 and 2. In particular the electric switch and control elements must be mandatorily located in zone 3, in order that no electrical control center is accessible to a anyone using the shower or bath.



All Cordivari electric radiators are in line with the new European regulation UE 2015/1188. The new regulation imposes a seasonal energy efficiency of electrical appliances for ambient heating with a nominal thermal output over 250 W and not less than 38%.

The seasonal energy efficiency of ambient heating ( $\eta_s$ ) is expressed with the ratio between the demand of ambient heating supplied by a heating appliance and the annual energy consumption required to meet this demand, expressed as percentage. The Cordivari ErP is in line with the new Ecodesign directives, which are characterized by a great efficiency combined with the maximum attention to energy saving. In particular the radiators are at least equipped with: electronic temperature control; open window sensor; weekly program timer.

Thanks to the new fully programmable digital thermostats and sensors present on the radiators, now the new Cordivari ErP electric radiators, heat, efficiency and energy saving are the best allies of your comfort.

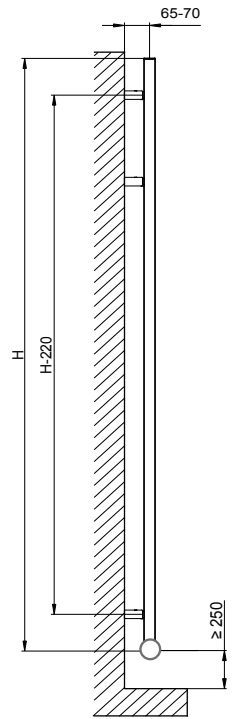
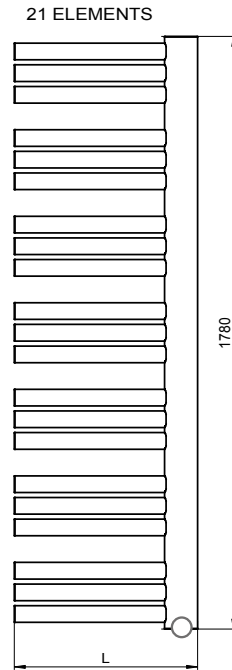
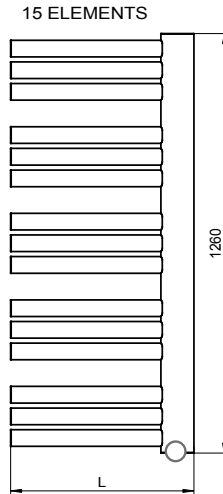
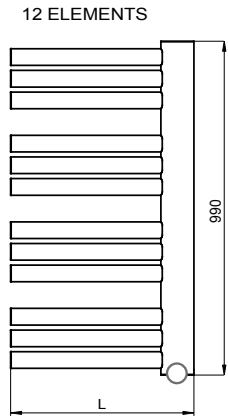
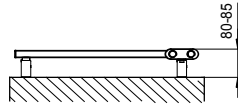
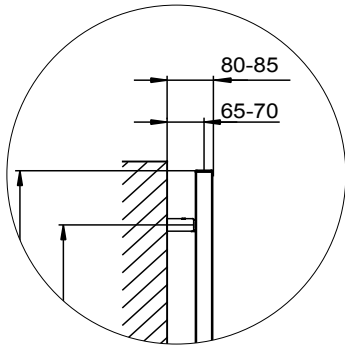
## INCLUDED



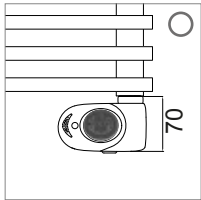
**Remote control for top digital thermostat**

**MAIN FEATURES AND FUNCTIONS:**

- CRONO: function of chrono-thermostat with daily or weekly programming with two temperature levels (Comfort/Eco)
- COMFORT: Possibility of setting your own desired temperature for time slot for higher comfort
- ECO: Possibility of keeping the temperature constant with lower power consumption. Useful for energy saving when the room is not occupied.
- ANTI-FREEZE: Useful if the room is not used for long periods
- TIMER/FORCED MARCH: Useful to heat rapidly the room and dry towels thanks to 2h of forced march at max. Power.
- CHILD SAFETY LOCK: special purpose lock of the display panel so to avoid any accidental alteration
- REMOTE CONTROL (optional): The digital thermostat is equipped with an infrared remote control useful to manage all the aforementioned functions.



### TOP DIGITAL THERMOSTAT



The general footprint has to be calculated considering the thermostat height

### JACKY ELECTRIC

Art. Nr.	Height	Width	Thermal output	Weight
	H [mm]	L [mm]	Watt	[Kg]
KIT - DIGITAL THERMOSTAT				
3581776100021	<b>990</b>	500	500	16
3581776100022	<b>1260</b>	500	600	23
3581776100023	<b>1780</b>	500	900	32

Art. Nr. are referred to colour WHITE R01 version.



# YARA

## PATENTED



PAGE 156

EUROPEAN  
WARRANTY

### MATERIAL:

Vertical collector in painted carbon steel 90x30 mm.  
Horizontal heating elements in painted carbon steel  $\varnothing$  18 mm.

### FIXING KIT:

Brackets, airvent, hexagonal tool, plugs and screws for mounting suitable for use on compact or hollow brick, user notice.  
The kit is certified from TÜV in compliance with VDI 6036-class 4.

### PACKAGING:

The radiator is protected by a film in polyethylene and with a carton box.  
User notice included.

### PAINTING PROCESS:

Painted with ecological epoxy. (Certificate DIN 55900-1,-2).  
Thermal outputs certified in accredited laboratories in compliance with European norm EN442.

### COLOURS:

Radiator and accessories: standard white colour R01.  
For other colours see page 350.

## PRODUCT CERTIFICATES



Pression maximale de service: 5 bar

Température maximale de service: 110° C

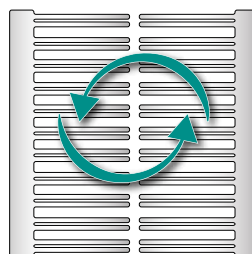
Available for central heating systems

Connexions: n° 2 x 1/2" gaz - n° 2 x 1/2" gaz

## AWARD



## REVERSIBLE



## ACCESSORIES



**Elegant square manual valve kit painted pure white R01**

Copper connection  $\varnothing$  12/14/15  
Art. Nr. 5991990310553

Multilayer connection  $\varnothing$  16  
Art. Nr. 5991990310552



**Elegant square pipe centres 50 mm valve kit painted pure white R01 with thermostatic head - right**

Copper connection  $\varnothing$  12/14/15  
Art. Nr. 5991990310543

Multilayer connection  $\varnothing$  16  
Art. Nr. 5991990310542



**Tinta valve pipe centres 50 mm with thermostatic head - right**

Copper connection  $\varnothing$  12/14/15  
Art. Nr. 5991990311217

Multilayer connection  $\varnothing$  16  
Art. Nr. 5991990311216



**Elegant with thermostatic head square pure white R01 painted valve kit**

Copper connection  $\varnothing$  12/14/15  
Art. Nr. 5991990310539

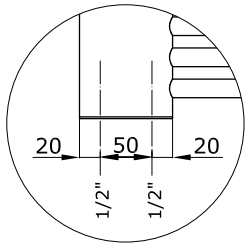
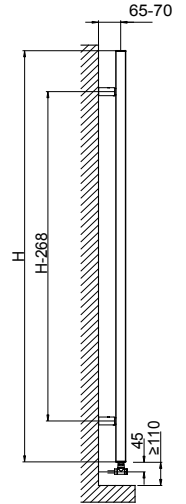
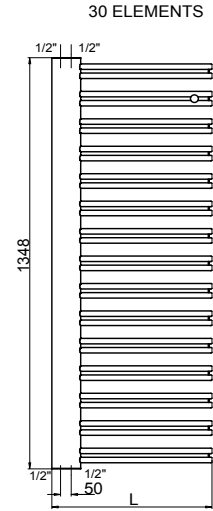
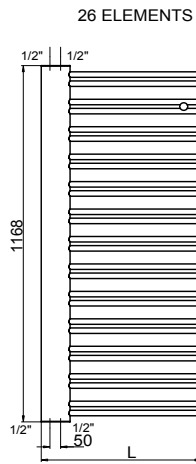
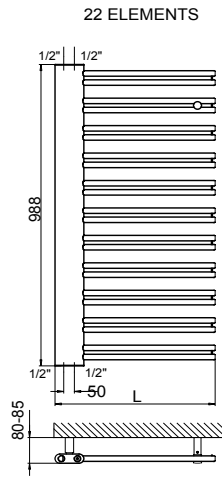
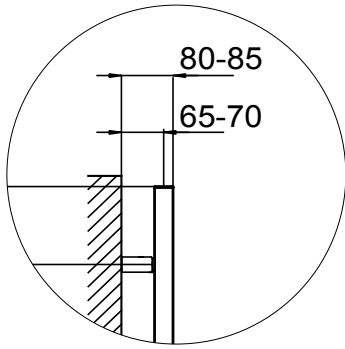
Multilayer connection  $\varnothing$  16  
Art. Nr. 5991990310538



**Sleeving kit for Pipe Centres 50 mm - valves polished**

Art. Nr. 5103000000057

Accessories and spare parts - see from page 328.



## YARA

Art. Nr.	Height		Pipe Centres	Dry Weight	Surface	Water Content	Thermal output Watt		Exponent n
	H [mm]	L [mm]					$\Delta t = 50^{\circ}\text{C}$	$\Delta t = 30^{\circ}\text{C}$	
3551436101001	<b>988</b>	500	50	16,4	0,8	3,8	465	246	1,2466
3551436101002	<b>1168</b>	500	50	19,4	0,9	4,4	557	292	1,2646
3551436101003	<b>1348</b>	500	50	22,4	1,0	5,1	613	319	1,2786

Art. Nr. are referred to colour WHITE R01 version.

For output at different  $\Delta t$  than  $50^{\circ}\text{C}$ , please refer to the following formula: desired output = output at  $\Delta t 50^{\circ}\text{C}$  x (desired  $\Delta t/50$ )<sup>n</sup>



# DEBBY



PAGE 158

EUROPEAN  
WARRANTY

### MATERIAL:

Vertical oval collector in painted carbon steel 90x30 mm.  
Horizontal heating elements in painted carbon steel  $\varnothing$  18 mm.

### FIXING KIT:

Brackets, airvent, hexagonal tool, plugs and screws for mounting suitable for use on compact or hollow brick, user notice.  
The kit is certified from TÜV in compliance with VDI 6036-class 4.

### PACKAGING:

The radiator is protected by a film in polyethylene and with a carton box.  
User notice included.

### PAINTING PROCESS:

Painted with ecological epoxy. (Certificate DIN 55900-1,-2).  
Thermal outputs certified in accredited laboratories in compliance with European norm EN442.

### COLOURS:

Radiator and accessories: standard white colour R01.  
For other colours see page 350.

## PRODUCT CERTIFICATES



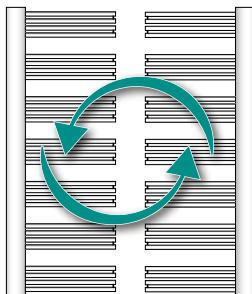
Pression maximale de service: 5 bar

Température maximale de service: 110° C

Available for central heating systems

Connexions: n° 2 x 1/2" gaz - n° 2 x 1/2" gaz

## REVERSIBLE



## ACCESSORIES



**Elegant square manual valve kit painted pure white R01**

Copper connection  $\varnothing$  12/14/15  
Art. Nr. 5991990310553

Multilayer connection  $\varnothing$  16  
Art. Nr. 5991990310552



**Elegant square pipe centres 50 mm valve kit painted pure white R01 with thermostatic head - right**

Copper connection  $\varnothing$  12/14/15  
Art. Nr. 5991990310543

Multilayer connection  $\varnothing$  16  
Art. Nr. 5991990310542



**Tinta valve pipe centres 50 mm with thermostatic head - right**

Copper connection  $\varnothing$  12/14/15  
Art. Nr. 5991990311217

Multilayer connection  $\varnothing$  16  
Art. Nr. 5991990311216



**Elegant with thermostatic head square pure white R01 painted valve kit**

Copper connection  $\varnothing$  12/14/15  
Art. Nr. 5991990310539

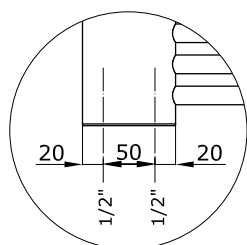
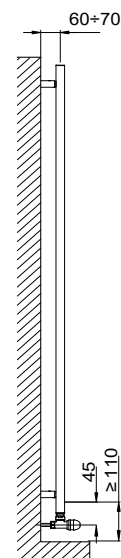
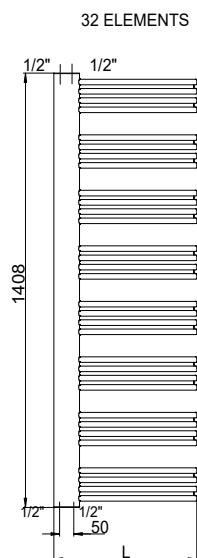
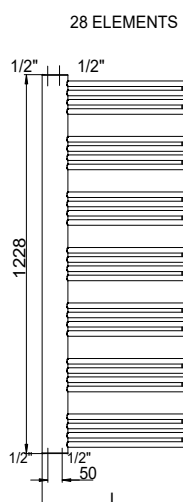
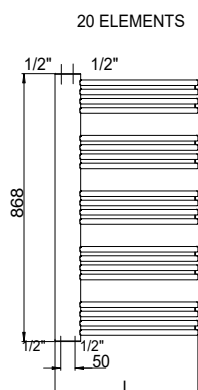
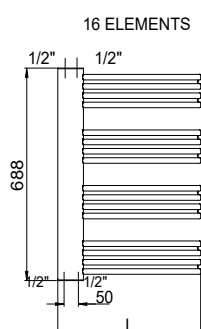
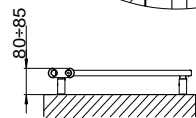
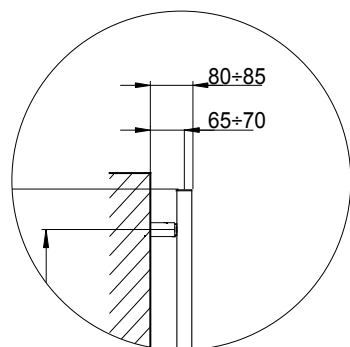
Multilayer connection  $\varnothing$  16  
Art. Nr. 5991990310538



**Sleeving kit for Pipe Centres 50 mm - valves polished**

Art. Nr. 5103000000057

Accessories and spare parts - see from page 328.



## DEBBY

Art. Nr.	Height		Pipe Centres	Dry Weight	Surface	Water Content	Thermal output Watt		Exponent n
	H [mm]	L [mm]					$\Delta t = 50^{\circ}\text{C}$	$\Delta t = 30^{\circ}\text{C}$	
3551436100000	<b>688</b>	500	50	8,4	0,51	2,6	312	168	1,2123
3551436100001	<b>868</b>	500	50	14,8	0,7	3,4	390	209	1,2224
3551436100002	<b>1228</b>	500	50	20,8	0,9	4,7	504	267	1,2403
3551436100003	<b>1408</b>	500	50	23,8	1	5,4	548	291	1,2415

Art. Nr. are referred to colour WHITE R01 version.

For output at different  $\Delta t$  than  $50^{\circ}\text{C}$ , please refer to the following formula: desired output = output at  $\Delta t 50^{\circ}\text{C}$  x (desired  $\Delta t/50$ )<sup>n</sup>



# GROOVE®

design **Mariano Moroni**

**PATENTED**



PAGE 160

**EUROPEAN  
WARRANTY**

**MATERIAL:**

Aluminium heating elements 100x20 mm.

**FIXING KIT:**

Brackets, airvent, hexagonal tool, plugs and screws for mounting suitable for use on compact or hollow brick, user notice.

**PACKAGING:**

The radiator is protected by a film in polyethylene and with a carton box. User notice included.

**PAINTING PROCESS:**

Painted with ecological epoxy. (Certificate DIN 55900-1,-2). Thermal outputs certified in accredited laboratories in compliance with European norm EN442.

**COLOURS:**

Radiator and accessories: standard white colour R01. For other colours see page 350.

## PRODUCT CERTIFICATES



Pression maximale de service: 6 bar

Température maximale de service: 110° C

Available for central heating systems

Connexions: n° 2 x 1/2" gaz - n° 1 x 1/2" gaz

## HOW TO ORDER THE GROOVE® RADIATORS

**ARTICLE CODE STRUCTURE**

Radiator model	Radiator dimensions	Constant value	Article code of the connection	Article code of the color / finish Different color from standard (R01 - R02) surcharge +30%	Constant value
AAAA	BBBB	W	DDD	EEE	B

**Example**

Radiator model Example: Radiatore Groove 5 elements	Radiator dimensions Example: mm 1800	Constant value	Article code of the connection Example: connection V11	Article code of the finish Example: White color R01	Constant value
GR05	1800	W	V11	R01	B

**EXAMPLE OF ARTICLE CODE CREATION**

In case of a GROOVE, 5 elements, H 1800 mm, with V11 connection.

The article code will be:

**GR05 1800 W V11 R01 B**

## ACCESSORIES



**Elegant square pipe centres 50 mm valve kit painted pure white R01 with thermostatic head - right**

Copper connection Ø 12/14/15  
Art. Nr. 5991990310543

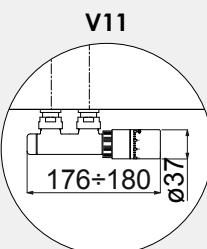
Multilayer connection Ø 16  
Art. Nr. 5991990310542



**Tinta valve pipe centres 50 mm with thermostatic head - right**

Copper connection Ø 12/14/15  
Art. Nr. 5991990311217

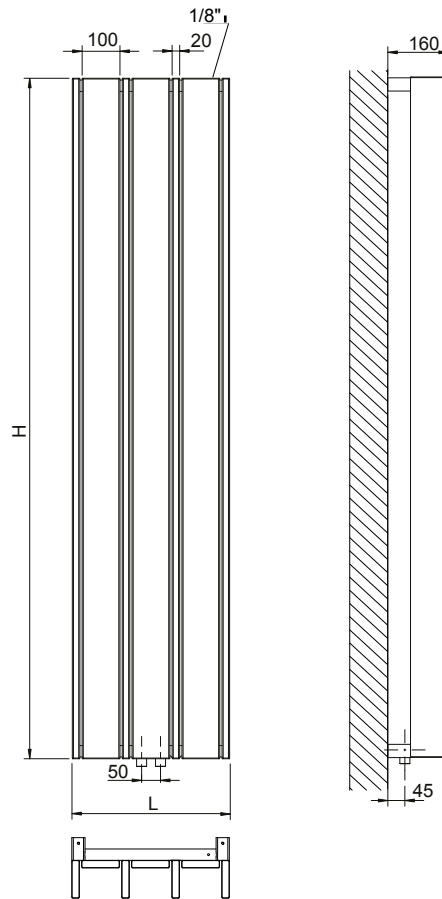
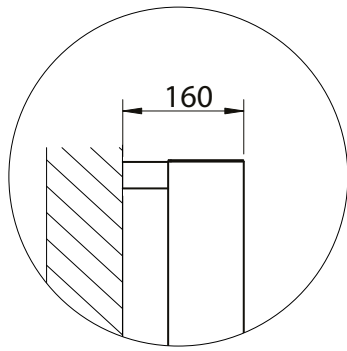
Multilayer connection Ø 16  
Art. Nr. 5991990311216



Measures for valves type Cordivari Elegant Square with thermostatic head and pipe centres 50 mm

Accessories and spare parts - see from page 328.





### Standard Connection



Legend = In Out Airvent **H** Height **I** Pipe Centres **L** Width Connection

## GROOVE®

Art. Nr.	Height	Width	Pipe Centres	elements	Dry Weight	Surface	Water Content	Thermal output Watt		Exponent n
	H [mm]	L [mm]	I [mm]		[Kg]	[m <sup>2</sup> ]	[lt]	$\Delta t = 50^{\circ}\text{C}$	$\Delta t = 30^{\circ}\text{C}$	
GR05 1800 W V11 R01 B	<b>1800</b>	284	50	5	17,3	0,67	1,8	939	530	1,1199
GR07 1800 W V11 R01 B	<b>1800</b>	416	50	7	24,2	0,94	2,5	1315	742	1,1199
GR05 2000 W V11 R01 B	<b>2000</b>	284	50	5	19,2	0,74	1,9	1043	585	1,1313
GR07 2000 W V11 R01 B	<b>2000</b>	416	50	7	26,9	1,04	2,7	1460	819	1,1313

Art. Nr. are referred to colour WHITE R01 version.

For output at different  $\Delta t$  than  $50^{\circ}\text{C}$ , please refer to the following formula: desired output = output at  $\Delta t 50^{\circ}\text{C}$  x (desired  $\Delta t/50$ )<sup>n</sup>



# ROADS®

design **Mariano Moroni**

**PATENTED**



PAGE 162

**EUROPEAN  
WARRANTY**

**MATERIAL:**

Aluminium heating elements 100x20 mm.

**FIXING KIT:**

Brackets, valvolino di sfiato, hexagonal tool, plugs and screws for mounting suitable for use on compact or hollow brick, user notice.

**PACKAGING:**

The radiator is protected by a film in polyethylene and with a carton box. User notice included.

**PAINTING PROCESS:**

Painted with ecological epoxy. (Certificate DIN 55900-1,-2). Thermal outputs certified in accredited laboratories in compliance with European norm EN442.

**COLOURS:**

Radiator and accessories: standard white colour R01. For other colours see page 350.

## PRODUCT CERTIFICATES



Pression maximale de service: 6 bar

Température maximale de service: 110° C

Available for central heating systems

Connexions: n° 2 x 1/2" gaz - n° 1 x 1/2" gaz

## HOW TO ORDER THE ROADS® RADIATORS

**ARTICLE CODE STRUCTURE**

Radiator model	Radiator dimensions	Constant value	Article code of the connection	Article code of the color / finish Different color from standard (R01 - R02) surcharge +30%	Constant value
AAAA	BBBB	W	DDD	EEE	B

**Example**

Radiator model Example: Radiatore Roads 5 elements	Radiator dimensions Example: mm 1800	Constant value	Article code of the connection Example: connection V11	Article code of the finish Example: White color R01	Constant value
RS05	1800	W	V11	R01	B

**EXAMPLE OF ARTICLE CODE CREATION**

In case of a ROADS, 5 elements, H 1800 mm, with V11 connection.

The article code will be:

**RS05 1800 W V11 R01 B**

## ACCESSORIES



**Elegant square pipe centres 50 mm valve kit painted pure white R01 with thermostatic head - right**

Copper connection Ø 12/14/15  
Art. Nr. 5991990310543

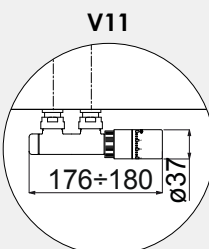
Multilayer connection Ø 16  
Art. Nr. 5991990310542



**Tinta valve pipe centres 50 mm with thermostatic head - right**

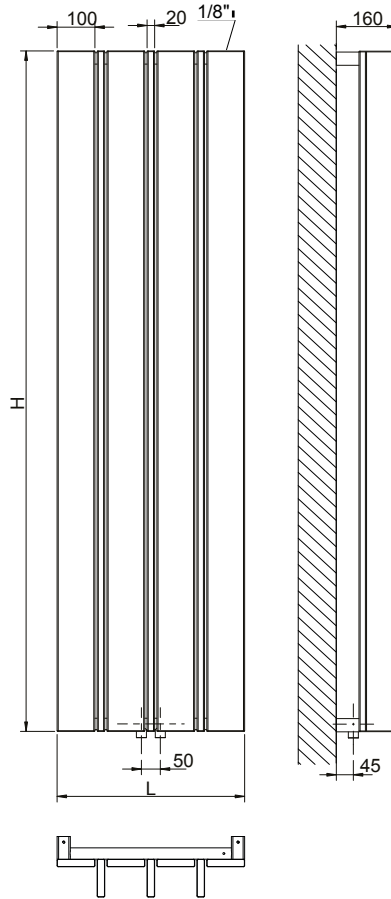
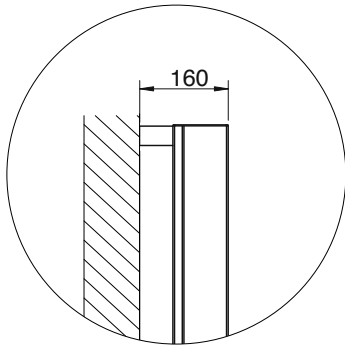
Copper connection Ø 12/14/15  
Art. Nr. 5991990311217

Multilayer connection Ø 16  
Art. Nr. 5991990311216



Measures for valves type Cordivari Elegant Square with thermostatic head and pipe centres 50 mm

Accessories and spare parts - see from page 328.



Standard Connection



Legend = ► In ▷ Out ◄ Airvent **H** Height **I** Pipe Centres **L** Width □ Connection

**ROADS®**

Art. Nr.	Height	Width	Pipe Centres	Elements	Dry Weight	Surface	Water Content	Thermal output Watt		Exponent n
	H [mm]	L [mm]	I [mm]					$\Delta t = 50^{\circ}\text{C}$	$\Delta t = 30^{\circ}\text{C}$	
RS05 1800 W V11 R01 B	<b>1800</b>	364	50	5	17,5	0,68	1,8	939	530	1,1199
RS07 1800 W V11 R01 B		496	50	7	24,4	0,96	2,5	1315	742	1,1199
RS05 2000 W V11 R01 B	<b>2000</b>	364	50	5	19,3	0,75	2,0	1043	585	1,1313
RS07 2000 W V11 R01 B		496	50	7	27,0	1,06	2,8	1460	819	1,1313

Art. Nr. are referred to colour WHITE R01 version.

For output at different  $\Delta t$  than  $50^{\circ}\text{C}$ , please refer to the following formula: desired output = output at  $\Delta t 50^{\circ}\text{C}$  x (desired  $\Delta t/50$ )<sup>n</sup>



# ROADS® STF

design **Mariano Moroni**



PAGE 164

**EUROPEAN  
WARRANTY**

## MATERIAL:

Aluminium heating elements 100x30 mm.

## FIXING KIT:

Brackets, airvent, hexagonal tool, plugs and screws for mounting suitable for use on compact or hollow brick, user notice.

## PACKAGING:

The radiator is protected by a film in polyethylene and with a carton box. User notice included.

## PAINTING PROCESS:

Painted with ecological epoxy. (Certificate DIN 55900-1,-2). Thermal outputs certified in accredited laboratories in compliance with European norm EN442.

## COLOURS:

Radiator and accessories: standard white colour R01.  
For other colours see page 350.

## PRODUCT CERTIFICATES



Pression maximale de service: 6 bar

Température maximale de service: 110° C

Available for central heating systems

Connexions: n° 2 x 1/2" gaz - n° 1 x 1/2" gaz

## HOW TO ORDER THE ROADS® STF RADIATORS

### ARTICLE CODE STRUCTURE

Radiator model	Radiator dimensions	Profile-cover W: matching in colour C: chrome	Article code of the connection	Article code of the color / finish Different color from standard (R01 - R02) surcharge +30%	Constant value
AAAA	BBBB	Z	DDD	EEE	B

### Example

<b>Radiator model</b> Example: Radiatore Roads Stf 5 elements	<b>Radiator dimensions</b> Example: mm 540	<b>Profile-cover</b> Example: matching in colour profile-cover	<b>Article code of the connection</b> Example: connection V11	<b>Article code of the finish</b> Example: White color R01	<b>Constant value</b>
RS05	0540	W	V11	R01	B

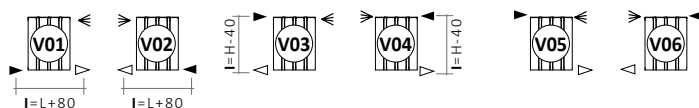
### EXAMPLE OF ARTICLE CODE CREATION

In case of a ROADS STF, 5 elements, H 540 mm, with V11 connection.

The article code will be:

**RS05 0540 W V11 R01 B**

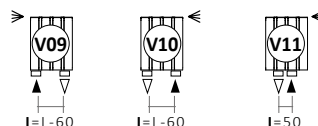
## Standard Connexions



Legend = ► In ▷ Out ◄ Airvent H Height I Pipe Centres L Width □ Connection

Always specify the kind of connection needed when ordering.

## Special Connexions



## ACCESSORIES



**Elegant square manual valve kit painted pure white R01**

Copper connection Ø 12/14/15  
Art. Nr. 5991990310553

Multilayer connection Ø 16  
Art. Nr. 5991990310552



**Elegant square pipe centres 50 mm valve kit painted pure white R01 with thermostatic head - right**

Copper connection Ø 12/14/15  
Art. Nr. 5991990310543

Multilayer connection Ø 16  
Art. Nr. 5991990310542

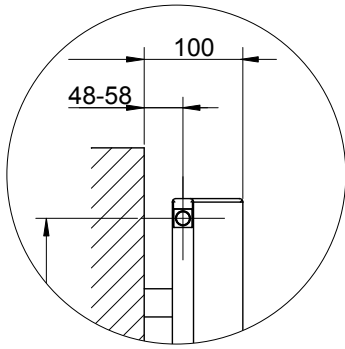


**Tinta valve pipe centres 50 mm with thermostatic head - right**

Copper connection Ø 12/14/15  
Art. Nr. 5991990311217

Multilayer connection Ø 16  
Art. Nr. 5991990311216

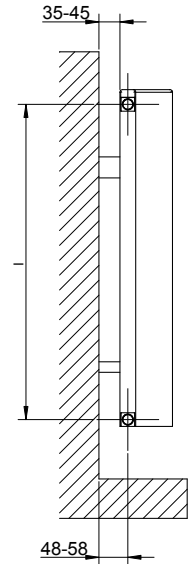
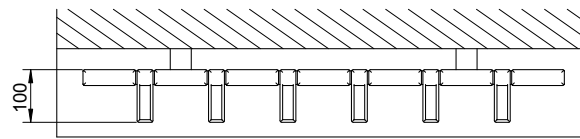
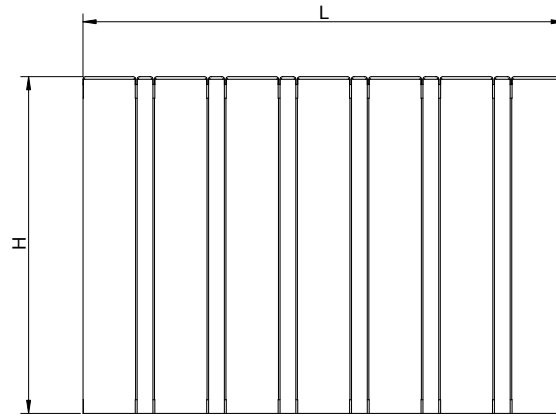
Accessories and spare parts - see from page 328.



Matching in colour profile cover. (W)



Profile cover in chrome finishing. (C)



DDD: replace with the type of connection.

Z: replace with type profile cover (W matching in colour - C chrome).

## ROADS® STF

Art. Nr.	Height	Width	Pipe Centres	Elements	Dry Weight	Surface	Water Content	Thermal output Watt		Exponent n
								$\Delta t = 50^{\circ}\text{C}$	$\Delta t = 30^{\circ}\text{C}$	
	H [mm]	L [mm]	I [mm]		[Kg]	[m <sup>2</sup> ]	[lt]			
RS05 0540 Z DDD R01 B	540	372	500	5	4,2	1,4	0,7	328	178	1,1956
RS07 0540 Z DDD R01 B		508		7	5,9	1,9	1	459	249	1,1956
RS09 0540 Z DDD R01 B		644		9	7,6	2,5	1,2	590	320	1,1956
RS11 0540 Z DDD R01 B		780		11	9,2	3,0	1,5	721	391	1,1956
RS13 0540 Z DDD R01 B		916		13	10,9	3,6	1,8	852	463	1,1956
RS15 0540 Z DDD R01 B		1052		15	12,6	4,0	2	983	534	1,1956
RS17 0540 Z DDD R01 B		1188		17	14,3	4,6	2,3	1114	605	1,1956
RS19 0540 Z DDD R01 B		1324		19	15,9	5,2	2,6	1245	676	1,1956
RS21 0540 Z DDD R01 B		1460		21	17,6	5,7	2,8	1376	747	1,1956
RS05 0640 Z DDD R01 B		640		372	600	5	4,9	1,6	0,8	386
RS07 0640 Z DDD R01 B	508		7	6,8		2,3	1,1	540	296	1,1748
RS09 0640 Z DDD R01 B	644		9	8,7		2,9	1,4	694	381	1,1748
RS11 0640 Z DDD R01 B	780		11	10,7		3,6	1,7	848	465	1,1748
RS13 0640 Z DDD R01 B	916		13	12,6		4,3	2	1002	550	1,1748
RS15 0640 Z DDD R01 B	1052		15	14,5		4,8	2,3	1157	635	1,1748
RS17 0640 Z DDD R01 B	1188		17	16,4		5,6	2,6	1311	719	1,1748
RS19 0640 Z DDD R01 B	1324		19	18,4		6,2	2,9	1465	804	1,1748
RS21 0640 Z DDD R01 B	1460		21	20,3		6,9	3,2	1619	898	1,1539
RS05 0740 Z DDD R01 B	740		372	700		5	5,5	1,9	0,9	443
RS07 0740 Z DDD R01 B		508	7		7,7	2,7	1,2	620	344	1,1539
RS09 0740 Z DDD R01 B		644	9		9,9	3,4	1,5	797	442	1,1539
RS11 0740 Z DDD R01 B		780	11		12,1	4,2	1,9	975	541	1,1539
RS13 0740 Z DDD R01 B		916	13		14,2	5,0	2,2	1152	639	1,1539
RS15 0740 Z DDD R01 B		1052	15		16,4	5,6	2,6	1329	737	1,1539
RS17 0740 Z DDD R01 B		1188	17		18,6	6,5	2,9	1506	835	1,1539
RS19 0740 Z DDD R01 B		1324	19		20,8	7,3	3,2	1683	933	1,1539
RS21 0740 Z DDD R01 B		1460	21		23	8,0	3,6	1861	1032	1,1539
RS05 0840 Z DDD R01 B		840	372		800	5	6,2	2,2	1	501
RS07 0840 Z DDD R01 B	508		7	8,6		3,1	1,3	701	393	1,1330
RS09 0840 Z DDD R01 B	644		9	11		3,9	1,7	901	505	1,1330
RS11 0840 Z DDD R01 B	780		11	13,5		4,8	2,1	1101	617	1,1330
RS13 0840 Z DDD R01 B	916		13	15,9		5,7	2,4	1301	729	1,1330
RS15 0840 Z DDD R01 B	1052		15	18,3		6,4	2,8	1502	842	1,1330
RS17 0840 Z DDD R01 B	1188		17	20,8		7,4	3,2	1702	954	1,1330
RS19 0840 Z DDD R01 B	1324		19	23,2		8,3	3,6	1902	1066	1,1330
RS21 0840 Z DDD R01 B	1460		21	25,6		9,2	3,9	2102	1178	1,1330

Art. Nr. are referred to colour WHITE R01 version with profile cover in the same colour of the radiator (W) or with chrome profile cover (C).

For output at different  $\Delta t$  than  $50^{\circ}\text{C}$ , please refer to the following formula: desired output = output at  $\Delta t 50^{\circ}\text{C}$  x (desired  $\Delta t/50$ )<sup>n</sup>



# RETRÒ



PAGE 170

**EUROPEAN  
WARRANTY**

**MATERIAL:**

Brass elements

**FIXING KIT:**

- Fixing brackets already integrated on towel rail with plugs and screws included
- Airvent included
- User notice

**PACKAGING:**

The towel rail is protected by a recyclable film in polyethylene and with a box in recyclable carton.

User notice included.

**FINISH:**

Chrome, Antique Bronze, Antique Gold.




Pression maximale de service: 6 bar

Température maximale de service: 110° C

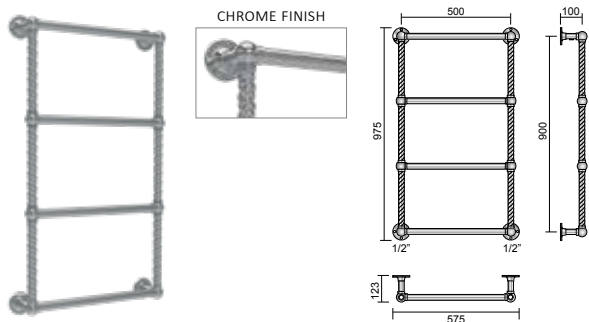
Available for central heating systems

Connexions: n° 2 x 1/2" gaz - Airvent integrated on towel rail

## ACCESSORIES

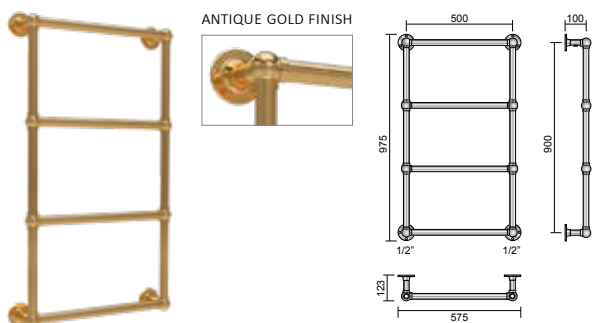
	<p><b>Square manual valve kit Antique Gold</b></p> <p>Copper connection Ø 12/14/15/16 Art. Nr. 5991990311132</p> <p>Multilayer connection Ø 16 Art. Nr. 5991990311133</p>		<p><b>Square manual valve kit Chrome</b></p> <p>Copper connection Ø 12/14/15/16 Art. Nr. 5991990311134</p> <p>Multilayer connection Ø 16 Art. Nr. 5991990311135</p>		<p><b>Square manual valve kit Antique Bronze</b></p> <p>Copper connection Ø 12/14/15/16 Art. Nr. 5991990311130</p> <p>Multilayer connection Ø 16 Art. Nr. 5991990311131</p>
---	---	---	---	---	---

Accessories and spare parts - see from page 328.



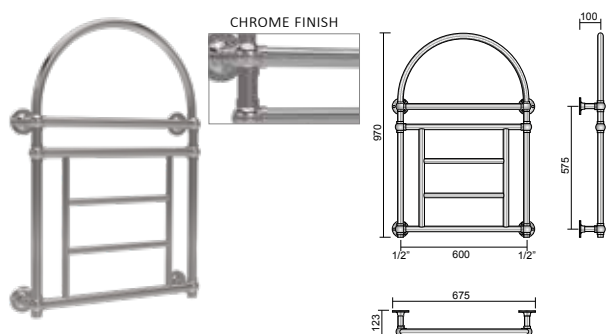
## RETRÒ I

Art. Nr.	Height	Width	Pipe Centres	Finish
	H [mm]	L [mm]	I [mm]	
3551330150001				ANTIQUE GOLD
3551330150002	<b>975</b>	575	500	CHROME
3551330150003				ANTIQUE BRONZE



## RETRÒ II

Art. Nr.	Height	Width	Pipe Centres	Finish
	H [mm]	L [mm]	I [mm]	
3551330150011				ANTIQUE GOLD
3551330150012	<b>975</b>	575	500	CHROME
3551330150013				ANTIQUE BRONZE



## RETRÒ III

Art. Nr.	Height	Width	Pipe Centres	Finish
	H [mm]	L [mm]	I [mm]	
3551330150021				ANTIQUE GOLD
3551330150022	<b>970</b>	675	600	CHROME
3551330150023				ANTIQUE BRONZE

## ACCESSORIES

	<p><b>SLEEVING COVERING KIT</b> Antique Gold</p> <p>Art. Nr. 5103000000108</p>		<p><b>SLEEVING COVERING KIT</b> Chrome</p> <p>Art. Nr. 5103000000044</p>		<p><b>SLEEVING COVERING KIT</b> Antique Bronze</p> <p>Art. Nr. 5103000000010</p>
--	--	--	--	--	--

Accessories and spare parts - see from page 328.



# RETRO<sup>Ò</sup> ELECTRIC



PAGE 176

EUROPEAN  
WARRANTY

**MATERIAL:**

Brass elements

**FIXING KIT:**

- Fixing brackets already integrated on towel rail with plugs and screws included
- User notice

**PACKAGING:**

The towel rail is protected by a recyclable film in polyethylene and with a box in recyclable carton.  
User notice included.

**FINISH:**

Chrome, Antique Bronze, Antique Gold.

## PRODUCT CERTIFICATES





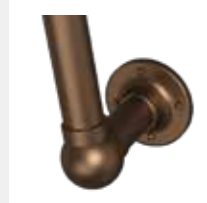
Electrical resistors: CLASS 1

Minimum class protection: IP 55

Wire Length: 1500 mm

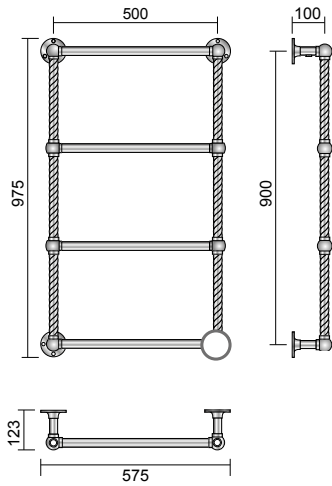
Electrical only: • Cable without plug to be connected on a ON-OFF switcher - not included

## ACCESSORIES

	<p><b>Sleeving kit ANTIQUE GOLD</b></p> <p>Art. Nr. 5103000000077</p>		<p><b>Sleeving kit CHROME</b></p> <p>Art. Nr. 5103000000080</p>		<p><b>Sleeving kit ANTIQUE BRONZE</b></p> <p>Art. Nr. 5103000000078</p>
---	---	---	---	---	---

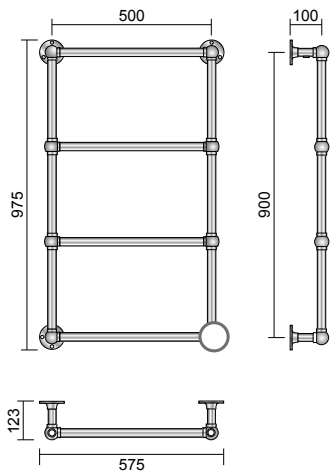
Accessories and spare parts - see from page 328.





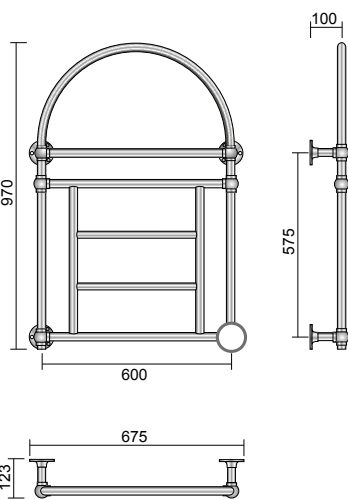
## RETRÒ I ELECTRIC

Art. Nr.	Height	Width	Finish	Watt
	H [mm]	L [mm]		
3581330000001	<b>975</b>	575	ANTIQUE GOLD	100
3581330000002			CHROME	
3581330000003			ANTIQUE BRONZE	



## RETRÒ II ELECTRIC

Art. Nr.	Height	Width	Finish	Watt
	H [mm]	L [mm]		
3581330000011	<b>975</b>	575	ANTIQUE GOLD	100
3581330000012			CHROME	
3581330000013			ANTIQUE BRONZE	



## RETRÒ III ELECTRIC

Art. Nr.	Height	Width	Finish	Watt
	H [mm]	L [mm]		
3581330000021	<b>970</b>	675	ANTIQUE GOLD	150
3581330000022			CHROME	
3581330000023			ANTIQUE BRONZE	



# FRAME PICTURE

ARTIC - CORALLO - LAGOON

artwork **Mariano Moroni**



PAGE 180

**EUROPEAN  
WARRANTY**

## MATERIAL:

Horizontal collector in painted carbon steel with  $\varnothing$  of 30 mm.  
Heating elements in painted carbon steel.  
Heating plate in painted carbon steel.

## FIXING KIT:

Brackets, airvent, hexagonal tool, plugs and screws for mounting suitable for use on compact or hollow brick, user notice.  
The kit is certified from TÜV in compliance with VDI 6036-class 4.

## PACKAGING:

The radiator is protected by a wooden crate and carton.  
User notice included.

## PAINTING PROCESS:

Painted with ecological epoxy. (Certificate DIN 55900-1,-2).  
Thermal outputs certified in accredited laboratories in compliance with European norm EN442.

## PRODUCT CERTIFICATES



Pression maximale de service: 5 bar

Température maximale de service: 110° C

Available for central heating systems

Connexions: n° 2 x 1/2" gaz - n° 1 x 1/8" gaz

## HOW TO ORDER THE FRAME PICTURE RADIATORS

### ARTICLE CODE STRUCTURE

Radiator model	Radiator dimensions	Article code of the connection	Model code Frame Artic: G10 Frame Corallo: G09 Frame Lagoon Rosa: P21 Frame Lagoon Azul: P22 Custom Frame: P99	Constant value
AAAA	BBB CC	DDD	EEE	B

### Example

Radiator model Example: Frame radiator	Radiator dimensions Example: mm 464x1822	Article code of the connection Example: connection H01	Model code Example: Frame Corallo G09	Constant value
FRST	464 18	V11	G09	B

### EXAMPLE OF ARTICLE CODE CREATION

In case of a FRAME CORALLO 464x1822 mm, with V11 connection.

The article code will be:

**FRST 464 18 V11 G09 B**

## ACCESSORIES



**Elegant square manual valve kit painted pure white R01**

Copper connection  $\varnothing$  12/14/15  
Art. Nr. 5991990310553

Multilayer connection  $\varnothing$  16  
Art. Nr. 5991990310552



**Elegant square pipe centres 50 mm valve kit painted pure white R01 with thermostatic head - right**

Copper connection  $\varnothing$  12/14/15  
Art. Nr. 5991990310543

Multilayer connection  $\varnothing$  16  
Art. Nr. 5991990310542



**STRAIGHT HANGER POLISHED**

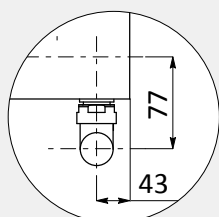
L. 352 (L= 404 mm)  
Art. Nr. 5991990300187

L. 464 (L= 516 mm)  
Art. Nr. 5991990300183

L. 576 (L= 628 mm)  
Art. Nr. 5991990300184

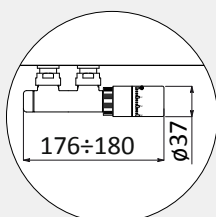
L. 688 (L= 740 mm)  
Art. Nr. 5991990300188

**V9÷V10**



Measures for Elegant square manual valve

**V11**



Measures for valves type Cordivari Elegant Square with thermostatic head and pipe centres 50 mm

Accessories and spare parts - see from page 328.

**FRAME ARTIC (G10)**



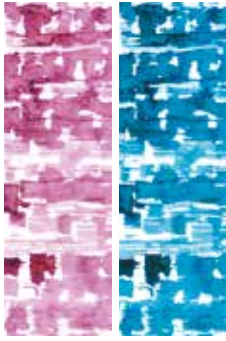
Frame ARTIC presents the fascination of a snow-white "abstract landscape". Its lines and its coating in shades of grey and black are lost in a sea of white, creating horizons, skies and territories that belong to the soul. Artic involves and stirs emotions just like in front of a painting. This radiator, available in four sizes, is versatile and functional and it represents an important contribution to interior architecture.

**FRAME CORALLO (G09)**



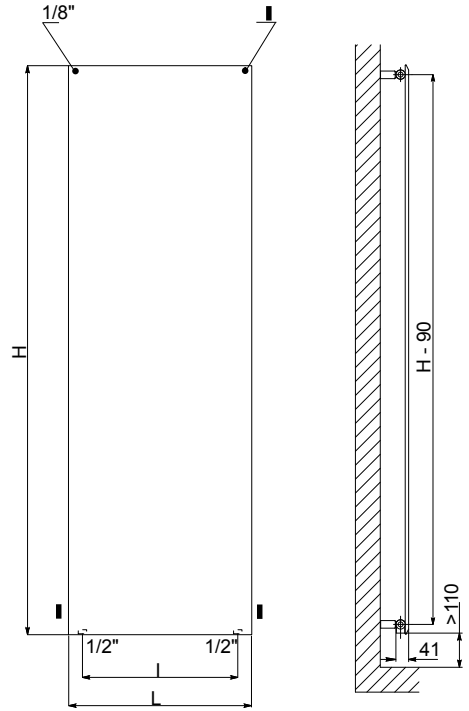
Primitive signs and colours presented in a contemporary style have inspired the Frame CORALLO furnishing radiator. The sinuous lines cover the entire heating surface radiating a joyful dynamism. Frame Corallo enriches everyday life with new visual and emotional stimuli. Versatile and stylish, it fits in any environment and can be accessorised with handy and essential satin stainless steel towel racks.

**FRAME LAGOON (P21 ROSA - P22 AZUL)**

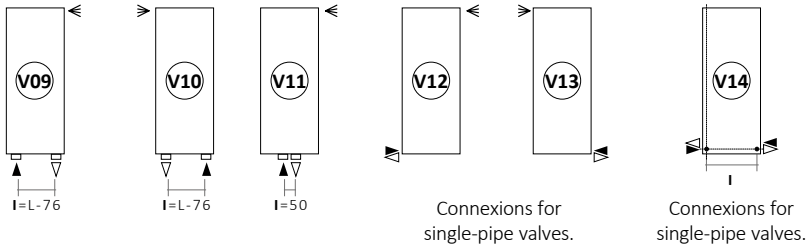


ROSA AZUL

Infinite color gradations, reflections, but, above all, transparency of colors: these are the Frame Lagoon distinctive features. The brightness and the enriched chromatic effects, evoke the perception of flowing water. The original paint comes from the Artist's expert hands, that using old painting techniques impress the water-based color on paper with appropriate designed paintbrushes' bristles.



**Standard Connexions**



Always specify the kind of connection needed when ordering (V09 - V10 - V11 - V12 - V13 - V14).

Legend =  
 ▶ In      ▷ Out      ≪≪ Airvent  
 | Pipe Centres      L Width      □ Connection

**FRAME PICTURE VERTICAL**

VERTICAL

DDD: replace with the type of connection.

EEE: replace with desired artwork.

Art. Nr.	Height		Width		Pipe Centres (V09- V10)	Pipe Centres (V14)	Dry Weight [Kg]	Surface [m <sup>2</sup> ]	Water Content [lt]	Thermal output Watt		Exponent n
	H [mm]	L [mm]	I [mm]	I [mm]	Δt = 50°C	Δt = 30°C						
FRST 352 10 DDD EEE B	1022	352	276	276	168	7,2	0,75	2,64	381	197	1,2894	
FRST 464 10 DDD EEE B		464	388	388	280	9,7	0,98	3,5	499	258	1,2894	
FRST 576 10 DDD EEE B		576	500	500	392	12	1,21	4,4	617	319	1,2894	
FRST 688 10 DDD EEE B		688	612	612	504	14,6	1,44	5,2	735	380	1,2894	
FRST 352 12 DDD EEE B	1222	352	276	276	168	8,6	0,89	3,02	455	236	1,2881	
FRST 464 12 DDD EEE B		464	388	388	280	11,4	1,17	4	596	309	1,2881	
FRST 576 12 DDD EEE B		576	500	500	392	14	1,44	5,1	736	381	1,2881	
FRST 688 12 DDD EEE B		688	612	612	504	17,2	1,72	6,1	877	454	1,2881	
FRST 352 14 DDD EEE B	1422	352	276	276	168	9,9	1,04	3,5	529	274	1,2867	
FRST 464 14 DDD EEE B		464	388	388	280	13,2	1,36	4,6	692	359	1,2867	
FRST 576 14 DDD EEE B		576	500	500	392	16,5	1,68	5,9	856	444	1,2867	
FRST 688 14 DDD EEE B		688	612	612	504	19,8	2,00	7,00	1020	529	1,2867	
FRST 352 16 DDD EEE B	1622	352	276	276	168	11,2	1,16	3,8	595	309	1,2854	
FRST 464 16 DDD EEE B		464	388	388	280	14,9	1,55	5,2	789	409	1,2854	
FRST 576 16 DDD EEE B		576	500	500	392	18,6	1,94	6,8	976	506	1,2854	
FRST 688 16 DDD EEE B		688	612	612	504	22,3	2,38	8	1222	635	1,2826	
FRST 352 18 DDD EEE B	1822	352	276	276	168	12,5	1,33	4,37	676	351	1,2840	
FRST 464 18 DDD EEE B		464	388	388	280	16,6	1,74	5,8	880	457	1,2840	
FRST 576 18 DDD EEE B		576	500	500	392	20,9	2,15	7,2	1100	571	1,2840	
FRST 688 18 DDD EEE B		688	612	612	504	25	2,56	8,7	1304	677	1,2840	
FRST 352 20 DDD EEE B	2022	352	276	276	168	13,5	1,47	4,85	750	390	1,2826	
FRST 464 20 DDD EEE B		464	388	388	280	18,4	1,93	6,4	978	508	1,2826	
FRST 576 20 DDD EEE B		576	500	500	392	23	2,38	8	1222	635	1,2826	
FRST 688 20 DDD EEE B		688	612	612	504	27,6	2,84	9,6	1447	751	1,2826	

Always specify while ordering the desired Artwork type: CORALLO G09 | ARTIC G10 | LAGOON ROSA P21 | LAGOON AZUL P22

For output at different Δt than 50°C, please refer to the following formula: desired output = output at Δt 50°C x (desired Δt/50)<sup>n</sup>



# FRAME PICTURE PLUS

ARTIC - CORALLO - LAGOON

artwork **Mariano Moroni**



PAGE 180

**EUROPEAN  
WARRANTY**

## MATERIAL:

Horizontal collector in painted carbon steel with  $\varnothing$  of 30 mm.  
Heating elements in painted carbon steel.  
Heating plate in painted carbon steel.

## FIXING KIT:

Brackets, airvent, hexagonal tool, plugs and screws for mounting suitable for use on compact or hollow brick, user notice.

## PACKAGING:

The radiator is protected by a wooden crate and carton.  
User notice included.

## PAINTING PROCESS:

Painted with ecological epoxy. (Certificate DIN 55900-1,-2).  
Thermal outputs certified in accredited laboratories in compliance with European norm EN442.

## PRODUCT CERTIFICATES



Pression maximale de service: 5 bar

Température maximale de service: 110° C

Available for central heating systems

Connexions: n° 2 x 1/2" gaz - n° 1 x 1/8" gaz

## HOW TO ORDER THE FRAME PICTURE PLUS RADIATORS

### ARTICLE CODE STRUCTURE

Radiator model	Radiator dimensions	Article code of the connection	Model code Frame Artic: G10 Frame Corallo: G09 Frame Lagoon Rosa: P21 Frame Lagoon Azul: P22 Custom Frame: P99	Constant value
AAAA	BBB CC	DDD	EEE	B

### Example

Radiator model Example: Frame radiator	Radiator dimensions Example: mm 464x1822	Article code of the connection Example: connection H01	Model code Example: Frame ARTIC G10	Constant value
FRPL	464 18	V11	G10	B

### EXAMPLE OF ARTICLE CODE CREATION

In case of a FRAME ARTIC PLUS 464x1822 mm, with V11 connection.

The article code will be:

**FRPL 464 18 V11 G10 B**

## ACCESSORIES



**Elegant square manual valve kit painted pure white R01**

Copper connection  $\varnothing$  12/14/15  
Art. Nr. 5991990310553

Multilayer connection  $\varnothing$  16  
Art. Nr. 5991990310552



**Elegant square pipe centres 50 mm valve kit painted pure white R01 with thermostatic head - right**

Copper connection  $\varnothing$  12/14/15  
Art. Nr. 5991990310543

Multilayer connection  $\varnothing$  16  
Art. Nr. 5991990310542



**STRAIGHT HANGER POLISHED**

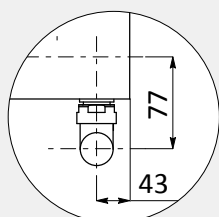
L. 352 (L= 404 mm)  
Art. Nr. 5991990300187

L. 464 (L= 516 mm)  
Art. Nr. 5991990300183

L. 576 (L= 628 mm)  
Art. Nr. 5991990300184

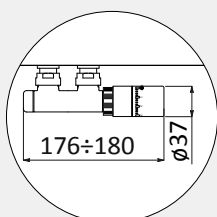
L. 688 (L= 740 mm)  
Art. Nr. 5991990300188

**V9÷V10**



Measures for Elegant square manual valve

**V11**



Measures for valves type Cordivari Elegant Square with thermostatic head and pipe centres 50 mm

Accessories and spare parts - see from page 328.

### FRAME ARTIC (G10)



Frame ARTIC propone la suggestione di un candido "paesaggio Abstract". Le linee e le campiture con i toni del grigio e del nero nel mare di bianco a formare orizzonti, cieli e territori che appartengono all'anima. Artic vuole coinvolgere ed emozionare come accade di fronte ad un dipinto. Il corpo scaldante, disponibile in quattro misure, è versatile e funzionale, ma è anche un contributo qualitativo nuovo all'architettura di interni.

### FRAME CORALLO (G09)



Segni e colours primitivi rivisti in chiave contemporanea hanno ispirato il radiatore d'arredo Frame CORALLO. La vertigine delle linee sinuose campisce l'intera superficie scaldante conferendo un festoso dinamismo. Frame Corallo vuole arricchire di nuovi stimoli visivi ed emozionali il vivere quotidiano. Accessoriato con comodi ed essenziali maniglioni portasalviette in satin stainless steel.

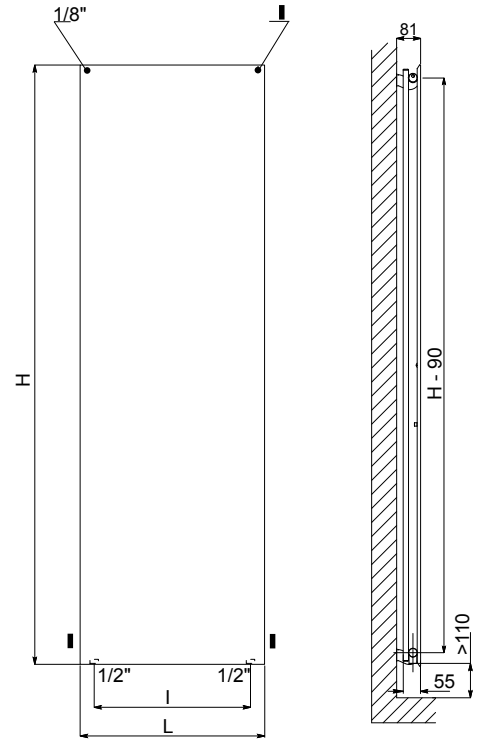
### FRAME LAGOON (P21 ROSA - P22 AZUL)



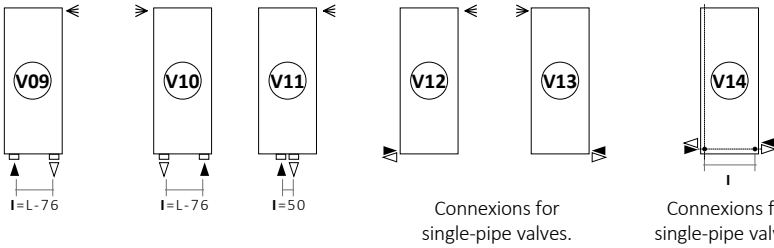
Portarsi in casa la percezione dell'acqua, un brandello di natura nella nostra quotidianità è l'aspetto che ha ispirato l'artista Mariano Moroni nel creare la veste pittorica del radiatore d'arredo Lagoon. Il colour ad acqua viene steso con pennelli opportunamente adattati nella consistenza della setola, secondo antiche tecniche, per imprimere su carta la delicatezza, la luminosità, la raffinatezza, riflessi e sfumature in quantità ma soprattutto la trasparenza del colour.

ROSA

AZUL



### Standard Connexions



Connexions for single-pipe valves.

Connexions for single-pipe valves.

Always specify the kind of connection needed when ordering (V09 - V10 - V11 - V12 - V13 - V14).

Legend =  
 ► In      ▷ Out      ≪ Airvent  
 | Pipe Centres      L Width      □ Connection

### FRAME PLUS VERTICAL

DDD: replace with the type of connection.

EEE: replace with desired artwork.

Art. Nr.	Height	Width	Pipe Centres (V09 - V10)	Pipe Centres (V14)	Dry Weight [Kg]	Surface [m <sup>2</sup> ]	Water Content [lt]	Thermal output Watt		Exponent n
	H [mm]	L [mm]	I [mm]	I [mm]				Δt = 50°C	Δt = 30°C	
FRPL 352 10 DDD EEE B	1022	352	276	168	14,3	1,35	4,5	580	296	1,3152
FRPL 464 10 DDD EEE B		464	388	280	20,2	1,84	6,3	790	404	1,3152
FRPL 576 10 DDD EEE B		576	500	392	25,0	2,32	7,8	999	510	1,3152
FRPL 688 10 DDD EEE B		688	612	504	28,6	2,81	9,0	1209	618	1,3152
FRPL 352 12 DDD EEE B	1222	352	276	168	17,1	1,61	5,3	691	353	1,31355
FRPL 464 12 DDD EEE B		464	388	280	24,1	2,19	7,5	940	481	1,31355
FRPL 576 12 DDD EEE B		576	500	392	29,8	2,77	9,3	1190	608	1,31355
FRPL 688 12 DDD EEE B		688	612	504	34,2	3,35	10,7	1439	736	1,31355
FRPL 352 14 DDD EEE B	1422	352	276	168	19,9	1,86	6,2	801	415	1,2867
FRPL 464 14 DDD EEE B		464	388	280	28,0	2,54	8,8	1091	565	1,2867
FRPL 576 14 DDD EEE B		576	500	392	34,7	3,21	10,8	1381	716	1,2867
FRPL 688 14 DDD EEE B		688	612	504	39,7	3,88	12,4	1670	865	1,2867
FRPL 352 16 DDD EEE B	1622	352	276	168	23,9	2,17	7,5	930	476	1,3117
FRPL 464 16 DDD EEE B		464	388	280	31,9	2,89	10,0	1241	635	1,3117
FRPL 576 16 DDD EEE B		576	500	392	39,8	3,61	12,5	1551	794	1,3117
FRPL 352 18 DDD EEE B	1822	352	276	168	25,4	2,38	7,9	1022	523	1,3105
FRPL 480 18 DDD EEE B		464	388	280	35,7	3,24	11,2	1455	745	1,3105
FRPL 576 18 DDD EEE B		576	500	392	45,1	4,10	13,7	1819	931	1,3105
FRPL 688 18 DDD EEE B		688	612	504	50,8	4,96	15,9	2132	1092	1,3105
FRPL 352 20 DDD EEE B	2022	352	276	168	28,2	2,63	8,8	1133	580	1,3093
FRPL 464 20 DDD EEE B		464	388	280	39,5	3,59	12,3	1568	803	1,3093
FRPL 576 20 DDD EEE B		576	500	392	49,9	4,54	15,0	1960	1004	1,3093
FRPL 688 20 DDD EEE B		688	612	504	56,4	5,49	17,6	2363	1211	1,3093

Always specify while ordering the desired Artwork type: CORALLO G09 | ARTIC G10 | LAGOON ROSA P21 | LAGOON AZUL P22

For output at different Δt than 50°C, please refer to the following formula: desired output = output at Δt 50°C x (desired Δt/50)<sup>n</sup>



# FRAME PICTURE



PAGE 180

**EUROPEAN  
WARRANTY**

Customize the:

- **FRAME**
- **FRAME PLUS**

radiators with your favourite pictures, forever imprinted on the surface.

## FRAME

Height	Width
H [mm]	L [mm]
	352
	464
<b>1022</b>	576
	688
	352
	464
<b>1222</b>	576
	688
	352
	464
<b>1422</b>	576
	688
	352
	464
<b>1622</b>	576
	688
	352
	464
<b>1822</b>	576
	688
	352
	464
<b>2022</b>	576
	688

## FRAME PLUS

Height	Width
H [mm]	L [mm]
	352
	464
<b>1022</b>	576
	688
	352
	464
<b>1222</b>	576
	688
	352
	464
<b>1422</b>	576
	688
	352
	464
<b>1622</b>	576
	688
	352
	464
<b>1822</b>	576
	688
	352
	464
<b>2022</b>	576
	688

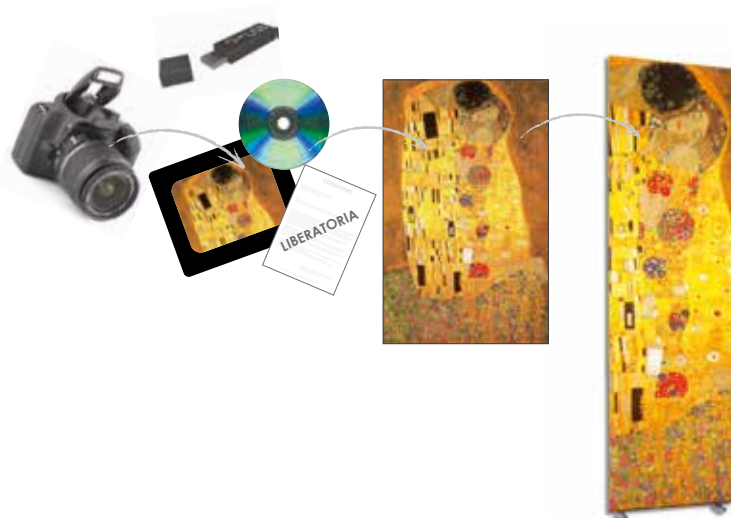
For technical features and connections see FRAME PICTURE page 314.

## HOW TO ORDER CUSTOM IMAGES (P99)

- Choose between FRAME / FRAME PLUS (painted model).
- Select the size (H and L) and the connection type.
- Send your high resolution image (300 dpi - jpg, tiff, eps file), or your real picture. (Material used for rendering will not be given back).
- Send the relevant acquittance to Cordivari dealer (*All images send by customer must respect all relevant rules of copyright*).
- Our graphic team will resize the desired image on the selected radiator.
- Approve the pdf preview and order.

## HOW TO ORDER STANDARD IMAGES CORDIVARI

- Choose between FRAME / FRAME PLUS (painted model).
- Select the size (H and L) and the connection type.
- Choose a picture from our image gallery.
- Our graphic team will resize the desired image on the selected radiator.
- Approve the pdf preview and order.



# IMAGE GALLERY



Frame Picture radiators are made in painted carbon steel using a unique and everlasting painting process. The Frame Picture painting process was awarded by ANVER (Italian Painters Association), during "Polveri" Exhibition (Verona, Italy), where it stood out for its innovation, high quality finishing and environment friendly approach.

PHOTOS BY : PIERO E ITALO DEL GOVERNATORE - ITALCOLOR



FISHER (P09)



BAY (P10)



SHORE (P11)

PICTURES



LANDSCAPE (P99)



LAKE (P99)



RIVER (P18)



THE KISS (P99)



SILHOUETTE (P01)



IRIS 03 (P27)



PARIS (P99)

FRAME SEASON - ARTWORK BY MARIANO MORONI



ABSTRACT 01 (G11)



ABSTRACT 02 (G12)



ABSTRACT 03 (G13)



ABSTRACT 04 (G14)



ABSTRACT 05 (G15)



ABSTRACT 06 (G16)



# FRAME PICTURE

## CONVIVIUM

artwork **Mariano Moroni**



PAGE 180

**EUROPEAN  
WARRANTY**

### MATERIAL:

Horizontal collector in painted carbon steel with  $\varnothing$  of 30 mm.  
Heating elements in painted carbon steel.  
Heating plate in painted carbon steel.

### FIXING KIT:

Brackets, airvent, hexagonal tool, plugs and screws for mounting suitable for use on compact or hollow brick, user notice.  
The kit is certified from TÜV laboratories in compliance with European norm VDI 6036-class 4 (only for Frame).

### PACKAGING:

The radiator is protected by a wooden crate and carton.  
User notice included.

### PAINTING PROCESS:

Painted with ecological epoxy. (Certificate DIN 55900-1,-2).  
Thermal outputs certified in accredited laboratories in compliance with European norm EN442.

## PRODUCT CERTIFICATES



Pression maximale de service: 5 bar

Température maximale de service: 110° C

Available for central heating systems

Connexions: n° 2 x 1/2" gaz - n° 1 x 1/8" gaz

## HOW TO ORDER THE FRAME CONVIVIUM RADIATORS

### ARTICLE CODE STRUCTURE

Radiator model Standard FRST Plus FRPL	Radiator dimensions	Article code of the connection	Model code Frame Convivium: P29	Constant value
AAAA	BBB CC	DDD	EEE	B

### Example

Radiator model Example: Frame radiator Standard	Radiator dimensions Example: mm 464x1822	Article code of the connection Example: V09 connection V09	Model code Example: Frame Convivium P29	Constant value
FRST	464 18	V09	P29	B

### EXAMPLE OF ARTICLE CODE CREATION

In case of a FRAME  
CONVIVIUM standard  
464x1822 mm radiator with  
V09 connection.

The article code will be:

**FRST 464 18 V09 P29 B**

## ACCESSORIES



**Elegant square manual  
valve kit painted pure  
white R01**

Copper connection  $\varnothing$  12/14/15  
Art. Nr. 5991990310553

Multilayer connection  $\varnothing$  16  
Art. Nr. 5991990310552



**Elegant square pipe centres  
50 mm valve kit painted  
pure white R01 with ther-  
mostatic head - right**

Copper connection  $\varnothing$  12/14/15  
Art. Nr. 5991990310543

Multilayer connection  $\varnothing$  16  
Art. Nr. 5991990310542



**STRAIGHT HANGER  
POLISHED**

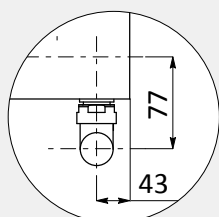
L. 352 (L= 404 mm)  
Art. Nr. 5991990300187

L. 464 (L= 516 mm)  
Art. Nr. 5991990300183

L. 576 (L= 628 mm)  
Art. Nr. 5991990300184

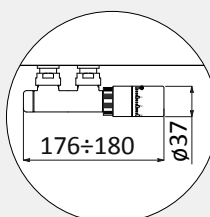
L. 688 (L= 740 mm)  
Art. Nr. 5991990300188

**V9÷V10**



Measures for Elegant square manual valve

**V11**



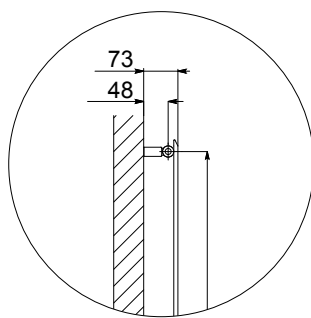
Measures for valves type  
Cordivari Elegant Square  
with thermostatic head and  
pipe centres 50 mm

Accessories and spare parts - see from page 328.

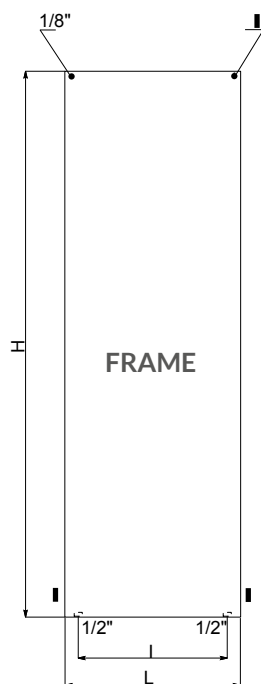
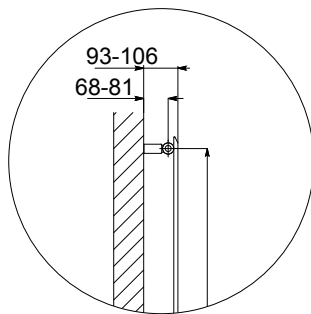


## FRAME

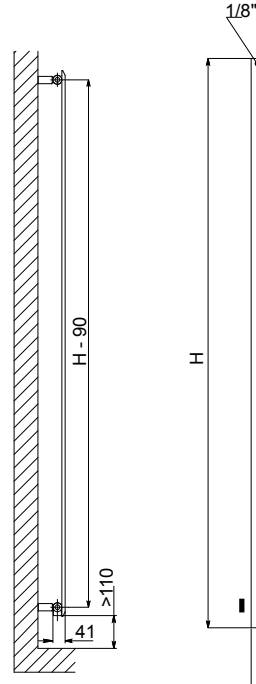
V09 - V10 - V11 - V12 - V13



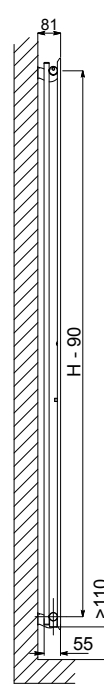
V14



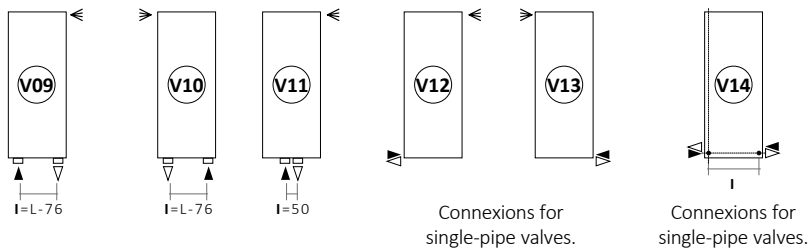
FRAME



FRAME PLUS



## Standard Connexions

Connexions for  
single-pipe valves.Connexions for  
single-pipe valves.

Always specify the kind of connection needed when ordering (V09 - V10 - V11 - V12 - V13 - V14).

Legend =



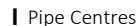
In



Out



Airvent



Pipe Centres



Width



Connection

## CONVIVIUM (P29)



## CONVIVIUM TRITTICO (P29)

The radiator  
**CONVIVIUM TRITTICO**  
is composed of three  
pieces.

## FRAME PICTURE CONVIVIUM

DDD: replace with the type of connection.

Art. Nr.	Height	Width	Pipe Centres (V09 - V10)	Pipe Centres (V14)	Dry Weight	Surface	Water Content	Thermal output Watt		Exponent n
	H [mm]	L [mm]	I [mm]	I [mm]				Δt = 50°C	Δt = 30°C	
FRST 464 18 DDD P29 B	<b>1822</b>	464	388	280	16,6	1,74	5,8	880	457	1,2840
FRST 576 18 DDD P29 B		576	500	392	20,9	2,15	7,2	1100	571	1,2840
FRST 464 20 DDD P29 B	<b>2022</b>	464	388	280	18,4	1,93	6,4	978	508	1,2826
FRST 576 20 DDD P29 B		576	500	392	23	2,38	8	1222	635	1,2826

## FRAME PICTURE PLUS CONVIVIUM

DDD: replace with the type of connection.

Art. Nr.	Height	Width	Pipe Centres (V09 - V10)	Pipe Centres (V14)	Dry Weight	Surface	Water Content	Thermal output Watt		Exponent n
	H [mm]	L [mm]	I [mm]	I [mm]				Δt = 50°C	Δt = 30°C	
FRPL 464 18 DDD P29 B	<b>1822</b>	464	388	280	35,7	3,24	11,2	1455	745	1,3105
FRPL 576 18 DDD P29 B		576	500	392	45,1	4,10	13,7	1819	931	1,3105
FRPL 464 20 DDD P29 B	<b>2022</b>	464	388	280	39,5	3,59	12,3	1568	803	1,3093
FRPL 576 20 DDD P29 B		576	500	392	49,9	4,54	15,0	1960	1004	1,3093

Always specify while ordering the desired Artwork type.

For output at different Δt than 50°C, please refer to the following formula: desired output = output at Δt 50°C x (desired Δt/50)<sup>n</sup>



# ROSY GRAPHIC

## TOTEM - RING

artwork **Mariano Moroni**



PAGE 188

**EUROPEAN  
WARRANTY**

### MATERIAL:

Horizontal collector in painted carbon steel with  $\varnothing$  of 38 mm  
Vertical heating elements in painted carbon steel da 50x10 mm.

### FIXING KIT:

Brackets, airvent, hexagonal tool, plugs and screws for mounting suitable for use on compact or hollow brick, user notice.

### PACKAGING:

The radiator is protected by a wooden crate and carton.  
User notice included.

### PAINTING PROCESS:

Painted with ecological epoxy. (Certificate DIN 55900-1,-2).  
Thermal outputs certified in accredited laboratories in compliance with European norm EN442.

## PRODUCT CERTIFICATES



Pression maximale de service: 5 bar

Température maximale de service: 110° C

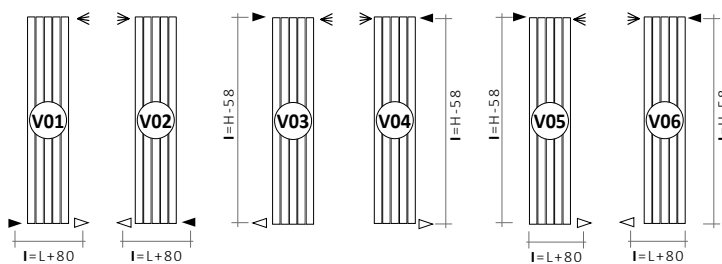
Available for central heating systems

Connexions: n° 2 x 1/2" gaz - n° 1 x 1/8" gaz

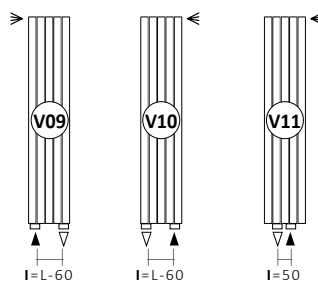
RING, TOTEM BLACK AND TOTEM WHITE ARE AVAILABLE IN **HORIZONTAL VERSION** ON REQUEST.

Vertical and horizontal dimensions and graphic have been chosen with care to offer a exclusive design radiators collection easy to place in every contemporaneous living space. We always suggest to indicate the connections when you order.

### Standard Connexions



### Special Connexions



Legend = ► In ▷ Out ◄ Airvent **H** Height **I** Pipe Centres **L** Width □ Connection

Always specify the kind of connection needed when ordering.

## ACCESSORIES



**Elegant square manual valve kit painted pure white R01**

Copper connection  $\varnothing$  12/14/15  
Art. Nr. 5991990310553

Multilayer connection  $\varnothing$  16  
Art. Nr. 5991990310552



**Elegant with thermostatic head square pure white R01 painted white valve kit**

Copper connection  $\varnothing$  12/14/15  
Art. Nr. 5991990310539

Multilayer connection  $\varnothing$  16  
Art. Nr. 5991990310538



**Elegant square pipe centres 50 mm valve kit painted pure white R01 with thermostatic head - right**

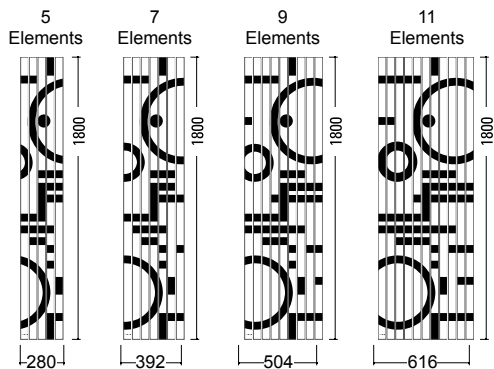
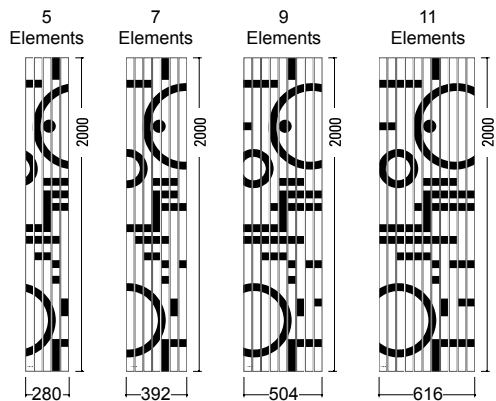
Copper connection  $\varnothing$  12/14/15  
Art. Nr. 5991990310543

Multilayer connection  $\varnothing$  16  
Art. Nr. 5991990310542

Accessories and spare parts - see from page 328.

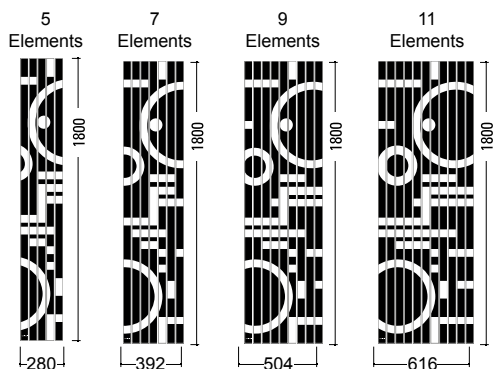
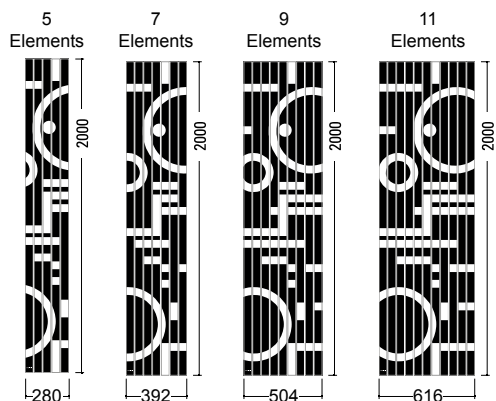
## G01 - Totem White

Available measures



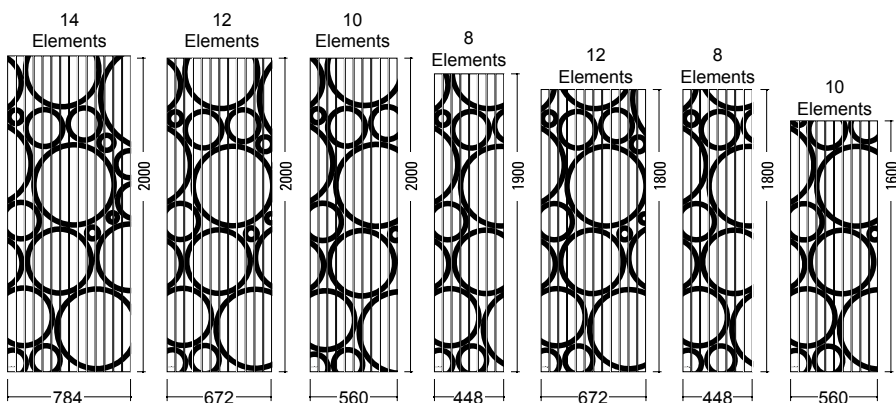
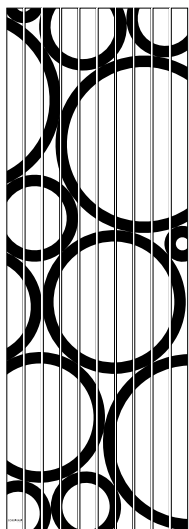
## G02 - Totem Black

Available measures



## G04 - Ring

Available measures



# 1 - ROSY GRAPHIC - HOW TO ORDER

## ARTICLE CODE STRUCTURE

Radiator model	Number of elements	Radiator height	Article code of the connection	Model code Totem White: G01 Totem Black: G02 Ring: G04	Constant value
AAAA	BB	CCC	DDD	EEE	B

## Example

Radiator model Example: Radiatore Rosy Graphic	Number of elements Example: Width 5 elements	Radiator height Example: 2000 mm	Article code of the connection Example: connection V11	Model code Example: Totem White G01	Constant value
RO50	05	200	V11	G01	B

## EXAMPLE OF ARTICLE CODE CREATION

In case of a ROSY GRAPHIC 5 elements, H. 2000 mm, with V11 connection.

The article code will be:  
**RO50 05 200 V11 G01 B**

# 2 - ROSY TANDEM GRAPHIC - HOW TO ORDER

## ARTICLE CODE STRUCTURE

Radiator model	Number of elements	Radiator height	Article code of the connection	Model code Totem White: G01 Totem Black: G02 Ring: G04	Constant value
AAAA	BB	CCC	DDD	EEE	B

## Example

Radiator model Example: Radiatore Rosy Tandem Graphic	Number of elements Example: Width 5 elements	Radiator height Example: 2000 mm	Article code of the connection Example: connection V11	Model code Example: Totem White G01	Constant value
RT50	05	200	V11	G01	B

## EXAMPLE OF ARTICLE CODE CREATION

In case of a ROSY tandem GRAPHIC 5 elements, H. 2000 mm, with V11 connection.

The article code will be:  
**RT50 05 200 V11 G01 B**

# 3 - ROSY MAX GRAPHIC - HOW TO ORDER

## ARTICLE CODE STRUCTURE

Radiator model	Number of elements	Radiator height	Article code of the connection	Model code Totem White: G01 Totem Black: G02 Ring: G04	Constant value
AAAA	BB	CCC	DDD	EEE	B

## Example

Radiator model Example: Radiatore Rosy Max Graphic	Number of elements Example: Width 5 elements	Radiator height Example: 2000 mm	Article code of the connection Example: connection V11	Model code Example: Totem White G01	Constant value
RX50	05	200	V11	G01	B

## EXAMPLE OF ARTICLE CODE CREATION

In case of a ROSY max GRAPHIC 5 elements, H. 2000 mm, with V11 connection.

The article code will be:  
**RX50 05 200 V11 G01 B**

# 1- ROSY GRAPHIC VERTICAL

DDD: replace with the type of connection.

	Art. Nr.	Width	N. elements	Height	Pipe Centres	Dry Weight	Surface	Water Content	Thermal output Watt		Exponent n
		L [mm]							H [mm]	l [mm]	
TOTEM WHITE	RO50 05 180 DDD G01 B	280	5	1800	1742	12,8	1,14	3,5	570	296	1,2840
	RO50 07 180 DDD G01 B	392	7		1742	18	1,6	4,9	798	414	1,2840
	RO50 09 180 DDD G01 B	504	9		1742	23,1	2,06	6,3	1026	532	1,2840
	RO50 11 180 DDD G01 B	616	11	1742	28,2	2,5	7,7	1254	651	1,2840	
	RO50 05 200 DDD G01 B	280	5	2000	1942	14,1	1,16	3,8	630	327	1,2826
	RO50 07 200 DDD G01 B	392	7		1942	19,8	1,77	5,3	882	458	1,2826
RO50 09 200 DDD G01 B	504	9	1942		25,5	2,27	6,9	1134	589	1,2826	
RO50 11 200 DDD G01 B	616	11	1942	31,2	2,78	8,4	1386	720	1,2826		
TOTEM BLACK	RO50 05 180 DDD G02 B	280	5	1800	1742	12,8	1,14	3,5	570	296	1,2840
	RO50 07 180 DDD G02 B	392	7		1742	18	1,6	4,9	798	414	1,2840
	RO50 09 180 DDD G02 B	504	9		1742	23,1	2,06	6,3	1026	532	1,2840
	RO50 11 180 DDD G02 B	616	11	1742	28,2	2,5	7,7	1254	651	1,2840	
	RO50 05 200 DDD G02 B	280	5	2000	1942	14,1	1,16	3,8	630	327	1,2826
	RO50 07 200 DDD G02 B	392	7		1942	19,8	1,77	5,3	882	458	1,2826
RO50 09 200 DDD G02 B	504	9	1942		25,5	2,27	6,9	1134	589	1,2826	
RO50 11 200 DDD G02 B	616	11	1942	31,2	2,78	8,4	1386	720	1,2826		
RING	RO50 08 180 DDD G04 B	448	8	1800	1742	20,5	1,83	5,6	912	473	1,2840
	RO50 08 190 DDD G04 B	448	8	1900	1842	21,6	1,93	5,8	960	498	1,2840
	RO50 10 160 DDD G04 B	560	10	1600	1542	23	2,05	6,3	1020	529	1,2854
	RO50 10 200 DDD G04 B	560	10	2000	1942	28,3	2,53	7,6	1260	654	1,2826
	RO50 12 180 DDD G04 B	672	12	1800	1742	30,8	2,75	8,4	1368	710	1,2840
	RO50 12 200 DDD G04 B	672	12	2000	1942	34	3,04	9,1	1512	785	1,2826
RO50 14 200 DDD G04 B	784	14	2000	1942	39,7	3,55	10,7	1764	916	1,2826	

The art. nr. are referred to standard connection (V1-V6). For special connection see page 322.

For output at different Δt than 50°C, please refer to the following formula: desired output = output at Δt 50°C x (desired Δt/50)<sup>n</sup>

## 2 - ROSY TANDEM GRAPHIC VERTICAL

DDD: replace with the type of connection.

	Art. Nr.	Width	N. elements	Height	Pipe Centres	Dry Weight	Surface	Water Content	Thermal output Watt		Exponent n
		L [mm]		H [mm]	l [mm]				[Kg]	[m <sup>2</sup> ]	
TOTEM WHITE	RT50 05 180 DDD G01 B	280	5	1800	1742	25	2,23	6,4	825	416	1,3387
	RT50 07 180 DDD G01 B	392	7		1742	35	3,12	9	1155	583	1,3387
	RT50 09 180 DDD G01 B	504	9		1742	44,8	4,01	11,6	1485	749	1,3387
	RT50 11 180 DDD G01 B	616	11		1742	54,8	4,90	14,2	1815	916	1,3387
	RT50 05 200 DDD G01 B	280	5	2000	1942	27,6	2,47	7,1	900	454	1,3381
	RT50 07 200 DDD G01 B	392	7		1942	38,6	3,45	9,9	1260	636	1,3381
	RT50 09 200 DDD G01 B	504	9		1942	49,7	4,44	12,8	1620	818	1,3381
	RT50 11 200 DDD G01 B	616	11		1942	60	5,42	15,6	1680	848	1,3381
TOTEM BLACK	RT50 05 180 DDD G02 B	280	5	1800	1742	25	2,23	6,4	825	416	1,3387
	RT50 07 180 DDD G02 B	392	7		1742	35	3,12	9	1155	583	1,3387
	RT50 09 180 DDD G02 B	504	9		1742	44,8	4,01	11,6	1485	749	1,3387
	RT50 11 180 DDD G02 B	616	11		1742	54,8	4,90	14,2	1815	916	1,3387
	RT50 05 200 DDD G02 B	280	5	2000	1942	27,6	2,47	7,1	900	454	1,3381
	RT50 07 200 DDD G02 B	392	7		1942	38,6	3,45	9,9	1260	636	1,3381
	RT50 09 200 DDD G02 B	504	9		1942	49,7	4,44	12,8	1620	818	1,3381
	RT50 11 200 DDD G02 B	616	11		1942	60	5,42	15,6	1680	848	1,3381
RING	RT50 08 180 DDD G04 B	448	8	1800	1742	40	3,56	10,3	1320	666	1,3387
	RT50 08 190 DDD G04 B	448	8	1900	1842	42	3,75	10,9	1391	702	1,3380
	RT50 10 160 DDD G04 B	560	10	1600	1542	46,9	3,97	11,6	1490	752	1,3393
	RT50 10 200 DDD G04 B	560	10	2000	1942	55,2	4,93	14,2	1800	909	1,3381
	RT50 12 180 DDD G04 B	672	12	1800	1742	59,8	5,34	15,5	1980	999	1,3387
	RT50 12 200 DDD G04 B	672	12	2000	1942	66	5,92	17	2160	1090	1,3381
RT50 14 200 DDD G04 B	784	14	2000	1942	77	6,90	19,9	2520	1272	1,3381	

The art. nr. are referred to standard connection (V1-V6). For special connection see page 322.

## 3 - ROSY MAX GRAPHIC VERTICAL

DDD: replace with the type of connection.

	Art. Nr.	Width	N. elements	Height	Pipe Centres	Dry Weight	Surface	Water Content	Thermal output Watt		Exponent n
		L [mm]		H [mm]	l [mm]				[Kg]	[m <sup>2</sup> ]	
TOTEM WHITE	RX50 05 180 DDD G01 B	280	5	1800	1762	38,7	3,31	9,5	1368	685	1,3530
	RX50 07 180 DDD G01 B	392	7		1762	51,2	3,97	12,7	1824	914	1,3530
	RX50 09 180 DDD G01 B	504	9		1762	66,1	4,63	16,5	2371	1188	1,3530
	RX50 11 180 DDD G01 B	616	11		1762	78,6	5,29	19,7	2827	1416	1,3530
	RX50 05 200 DDD G01 B	280	5	2000	1962	42,9	5,95	10,5	1512	758	1,3520
	RX50 07 200 DDD G01 B	392	7		1962	56,7	6,61	14,0	2016	1011	1,3520
	RX50 09 200 DDD G01 B	504	9		1962	73,2	7,28	18,2	2620	1313	1,3520
	RX50 11 200 DDD G01 B	616	11		1962	87,1	7,94	21,7	3124	1566	1,3520
TOTEM BLACK	RX50 05 180 DDD G02 B	280	5	1800	1762	38,7	8,60	9,5	1368	685	1,3530
	RX50 07 180 DDD G02 B	392	7		1762	51,2	9,26	12,7	1824	914	1,3530
	RX50 09 180 DDD G02 B	504	9		1762	66,1	3,67	16,5	2371	1188	1,3530
	RX50 11 180 DDD G02 B	616	11		1762	78,6	4,40	19,7	2827	1416	1,3530
	RX50 05 200 DDD G02 B	280	5	2000	1962	42,9	5,13	10,5	1512	758	1,3520
	RX50 07 200 DDD G02 B	392	7		1962	56,7	5,87	14,0	2016	1011	1,3520
	RX50 09 200 DDD G02 B	504	9		1962	73,2	6,60	18,2	2620	1313	1,3520
	RX50 11 200 DDD G02 B	616	11		1962	87,1	7,33	21,7	3124	1566	1,3520
RING	RX50 08 180 DDD G04 B	448	8	1800	1762	58,7	8,07	14,6	2097	1051	1,3530
	RX50 10 200 DDD G04 B	560	10	2000	1962	78,8	8,80	19,7	2822	1415	1,3520
	RX50 12 180 DDD G04 B	672	12	1800	1762	86,0	9,53	21,6	3100	1553	1,3530
	RX50 12 200 DDD G04 B	672	12	2000	1962	95,3	10,30	23,8	3427	1718	1,3520
	RX50 14 200 DDD G04 B	784	14	2000	1962	111,9	11,5	28,0	4032	2021	1,3520

The art. nr. are referred to standard connection (V1-V6). For special connection see page 322.

For output at different Δt than 50°C, please refer to the following formula: desired output = output at Δt 50°C x (desired Δt/50)<sup>n</sup>



# VALVES AND ACCESSORIES

**CORDIVARI**  
DESIGN

TECHNICAL  
SUPPORT

INOX STYLE

EXTRASLIM®

NEO DESIGN

CLASSIC LINE

GRAPHIC PICTURE

VALVES AND ACCESSORIES  
TECHNICAL SUPPORT

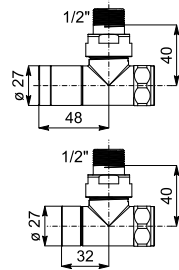
# ACCESSORIES - STAINLESS STEEL RADIATORS

## ELEGANT VALVES SATIN

Valve kit includes:

**Valves and holder - thermostatic Head** (not in manual version) - **Fittings for copper pipe (Ø 12/14/15) or multilayer pipe (Ø 16).**

Available for: **LOLA - BABYLA - RIO® - STRADIVARI**



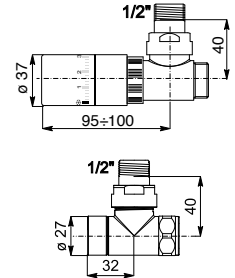
### SQUARE - MANUAL

Copper connection Ø 12/14/15

Multilayer connection Ø 16

Art. Nr. 5991990320209

Art. Nr. 5991990320208



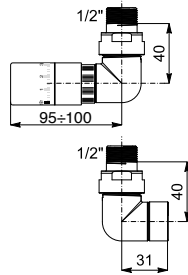
### SQUARE - WITH THERMOSTATIC HEAD

Copper connection Ø 12/14/15

Multilayer connection Ø 16

Art. Nr. 5991990320197

Art. Nr. 5991990320196



Not available on:  
BABYLA

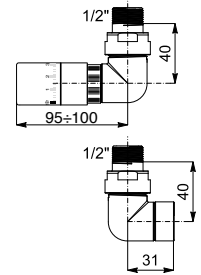
### CORNER (RIGHT) - WITH THERMOSTATIC HEAD

Copper connection Ø 12/14/15

Multilayer connection Ø 16

Art. Nr. 5991990320204

Art. Nr. 5991990320202



Not available on:  
BABYLA

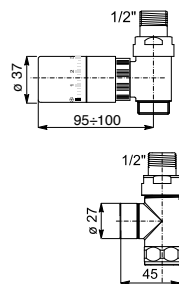
### CORNER (LEFT) - WITH THERMOSTATIC HEAD

Copper connection Ø 12/14/15

Multilayer connection Ø 16

Art. Nr. 5991990320205

Art. Nr. 5991990320203



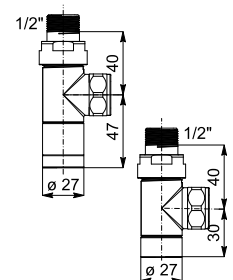
### STRAIGHT - WITH THERMOSTATIC HEAD

Copper connection Ø 12/14/15

Multilayer connection Ø 16

Art. Nr. 5991990320195

Art. Nr. 5991990320194



Only for:  
LOLA

### REVERSE - MANUAL

Copper connection Ø 12/14/15

Multilayer connection Ø 16

Art. Nr. 5991990320207

Art. Nr. 5991990320206



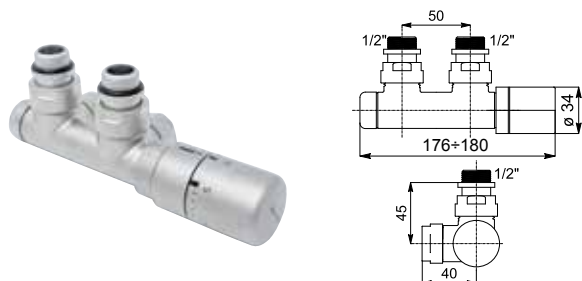
# ACCESSORIES - STAINLESS STEEL RADIATORS

## ELEGANT VALVES SATIN

Valve kit includes:

**Valves and holder - thermostatic Head** (not in manual version) - **Fittings for copper pipe (Ø 12/14/15) or multilayer pipe (Ø 16).**

Available for: **BABYLA**



**PIPE CENTRES 50 MM SQUARE  
WITH THERMOSTATIC HEAD (RIGHT)**

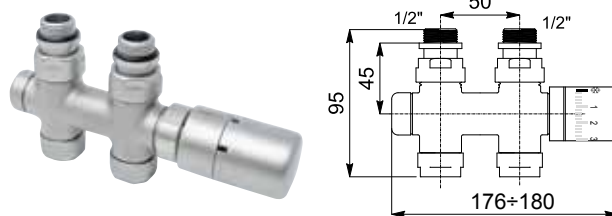
Only for V7 - V8 - V11 connections type

Copper connection Ø 12/14/15

Multilayer connection Ø 16

Art. Nr. 5991990320201

Art. Nr. 5991990320200



**PIPE CENTRES 50 MM STRAIGHT  
WITH THERMOSTATIC HEAD**

Only for V7 - V8 - V11 connections type

Copper connection Ø 12/14/15

Multilayer connection Ø 16

Art. Nr. 5991990320199

Art. Nr. 5991990320198

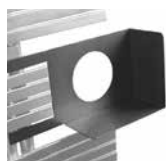


**SLEEVING COVERING KIT** - see page 340

## KIT ELITE BABYLA SATIN STAINLESS STEEL



N° 1 mirror



N° 1 shelf for books



Elegant square  
satin valve kit pipe  
centres 50 mm  
with thermostatic  
head



N° 2 hooks for  
hanging clothes  
satin stainless steel  
Ø 20mm



N° 3 shelves  
(2 on the left,  
1 on the right)



N° 1 antenna for  
hanging clothe

### KIT ELITE SATIN

(only for Babyla H 1500)

Art. Nr.  
5102000000104

Art. Nr.  
5991990000006

Art. Nr.  
5991990010055

See above

Art. Nr.  
5991990010007

Art. Nr.  
5991990010021 - dx  
5991990010022 - sx

Art. Nr.  
5991990000005

INOX STYLE

EXTRASLIM®

NEO DESIGN

CLASSIC LINE

GRAPHIC PICTURE

VALVES AND ACCESSORIES  
TECHNICAL SUPPORT

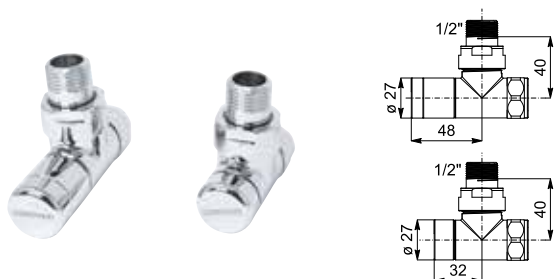
# ACCESSORIES - STAINLESS STEEL RADIATORS

## ELEGANT VALVES POLISHED

Valve kit includes:

**Valves and holder - thermostatic Head (not in manual version) - Fittings for copper pipe ( $\varnothing$  12/14/15) or multilayer pipe ( $\varnothing$  16).**

Available for: **LOLA - FUJIKO - BABYLA - KELLY - RIO® - FRAME - FRAME PLUS**



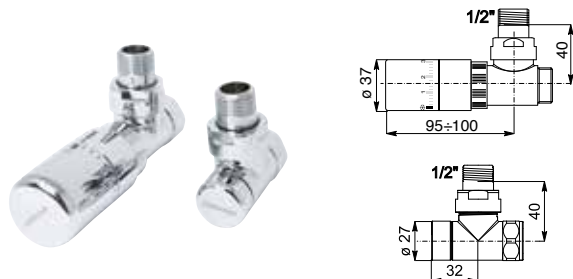
### SQUARE - MANUAL

Copper connection  $\varnothing$  12/14/15

Multilayer connection  $\varnothing$  16

Art. Nr. 5991990301084

Art. Nr. 5991990301083



### SQUARE - WITH THERMOSTATIC HEAD

Copper connection  $\varnothing$  12/14/15

Multilayer connection  $\varnothing$  16

Art. Nr. 5991990301072

Art. Nr. 5991990301071



Not available on:  
BABYLA • KELLY • FRAME  
AND V11 CONNECTION

### CORNER (RIGHT) - WITH THERMOSTATIC HEAD

Copper connection  $\varnothing$  12/14/15

Multilayer connection  $\varnothing$  16

Art. Nr. 5991990301079

Art. Nr. 5991990301077



Not available on:  
BABYLA • KELLY • FRAME  
AND V11 CONNECTION

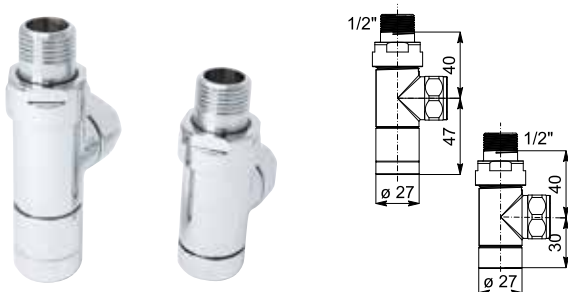
### CORNER (LEFT) - WITH THERMOSTATIC HEAD

Copper connection  $\varnothing$  12/14/15

Multilayer connection  $\varnothing$  16

Art. Nr. 5991990301080

Art. Nr. 5991990301078



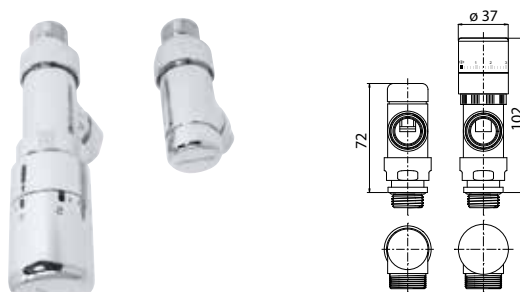
### REVERSE - MANUAL

Copper connection  $\varnothing$  12/14/15

Multilayer connection  $\varnothing$  16

Art. Nr. 5991990301082

Art. Nr. 5991990301081



### REVERSE - WITH THERMOSTATIC HEAD

Copper connection  $\varnothing$  12/14/15

Multilayer connection  $\varnothing$  16

Art. Nr. 5991990301086

Art. Nr. 5991990301085



**SLEEVING COVERING KIT** - see page 340

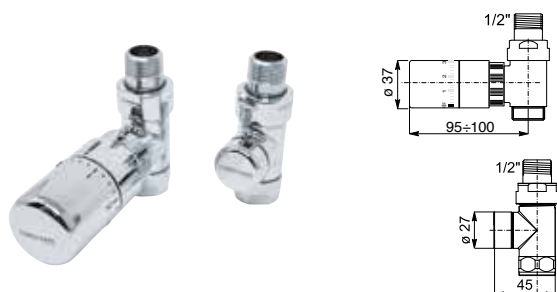
# ACCESSORIES - STAINLESS STEEL RADIATORS

## ELEGANT VALVES POLISHED

Valve kit includes:

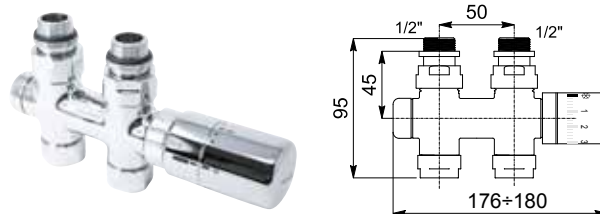
**Valves and holder - thermostatic Head** (not in manual version) - **Fittings for copper pipe (Ø 12/14/15) or multilayer pipe (Ø 16).**

Available for: **LOLA - FUJIKO - BABYLA - KELLY - RIO® - FRAME - FRAME PLUS**



### STRAIGHT - WITH THERMOSTATIC HEAD

Copper connection Ø 12/14/15	Multilayer connection Ø 16
Art. Nr. 5991990301070	Art. Nr. 5991990301069



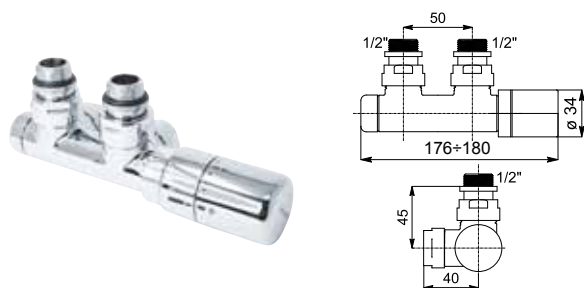
Not available on:  
LOLA • FUJIKO • RIO

### PIPE CENTRES 50 MM STRAIGHT - WITH THERMOSTATIC HEAD

Only for V7 - V8 - V11 connections type

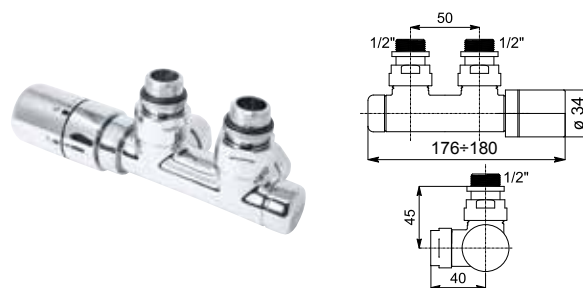
Copper connection Ø 12/14/15	Multilayer connection Ø 16
Art. Nr. 5991990301074	Art. Nr. 5991990301073

Available for: **BABYLA - KELLY - FRAME - FRAME PLUS**



### PIPE CENTRES 50 MM SQUARE - WITH THERMOSTATIC HEAD (RIGHT) - Only for V7 - V8 - V11 connections type

Copper connection Ø 12/14/15	Multilayer connection Ø 16
Art. Nr. 5991990301076	Art. Nr. 5991990301075

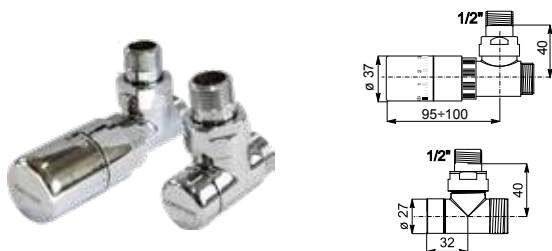


### PIPE CENTRES 50 MM SQUARE - WITH THERMOSTATIC HEAD (LEFT) - Only for V7 - V8 - V11 connections type

Copper connection Ø 12/14/15	Multilayer connection Ø 16
Art. Nr. 5991990301088	Art. Nr. 5991990301087

## EUROKONUS VALVES POLISHED

Available for: **LOLA - FUJIKO - BABYLA - KELLY - RIO® - FRAME - FRAME PLUS**



### SQUARE - WITH THERMOSTATIC HEAD

3/4" EK Connexions

Art. Nr. 5991990332876

### PIPER ADAPTOR FOR EUROKONUS

Copper connection Ø 12	Multilayer connection Ø 14
Art. Nr. 599199001022	Art. Nr. 5991990010232
Copper connection Ø 14	Multilayer connection Ø 16
Art. Nr. 5991990010230	Art. Nr. 5991990010232
Copper connection Ø 15	
Art. Nr. 5991990010231	

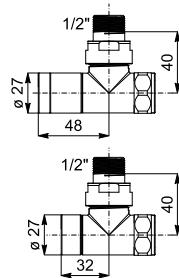
# ACCESSORIES - STAINLESS STEEL RADIATORS

## ELEGANT VALVES GOLD

Valve kit includes:

**Valves and holder - thermostatic Head (not in manual version) - Fittings for copper pipe (Ø 12/14/15) or multilayer pipe (Ø 16).**

Available for: **BABYLA**



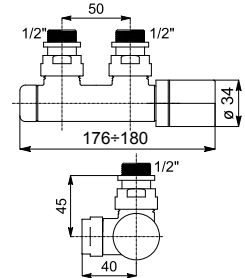
**SQUARE - MANUAL**

Copper connection Ø 12/14/15

Multilayer connection Ø 16

Art. Nr. 5991990301056

Art. Nr. 5991990301055



**PIPE CENTRES 50 MM SQUARE - WITH THERMOSTATIC HEAD RIGHT** - Only for V7 - V8 - V11 connections type

Copper connection Ø 12/14/15

Multilayer connection Ø 16

Art. Nr. 5991990301089

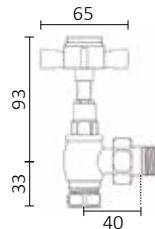
Art. Nr. 5991990301091

**SLEEVING COVERING KIT** - see page 340

# ACCESSORIES - CLASSIC LINE RADIATORS

## ELEGANT VALVES

Available for: **RETRÒ I - RETRÒ II - RETRÒ III**



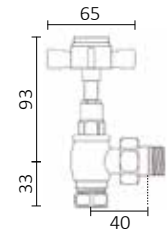
**SQUARE - MANUAL ANTIQUE GOLD**

Copper connection Ø 12/14/15/16

Multilayer connection Ø 16

Art. Nr. 5991990311132

Art. Nr. 5991990311133



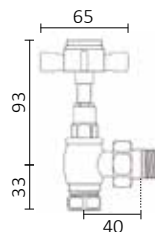
**SQUARE - MANUAL CHROME**

Copper connection Ø 12/14/15/16

Multilayer connection Ø 16

Art. Nr. 5991990311134

Art. Nr. 5991990311135



**SQUARE - MANUAL ANTIQUE BRONZE**

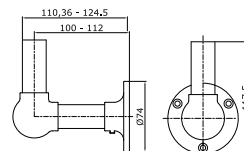
Copper connection Ø 12/14/15/16

Multilayer connection Ø 16

Art. Nr. 5991990311130

Art. Nr. 5991990311131

Available for: **RETRÒ I - RETRÒ II - RETRÒ III ELETTRICI**



**SLEEVING KIT ANTIQUE GOLD**

Art. Nr.

5103000000077



**SLEEVING KIT CHROME**

Art. Nr.

5103000000080



**SLEEVING KIT ANTIQUE BRONZE**

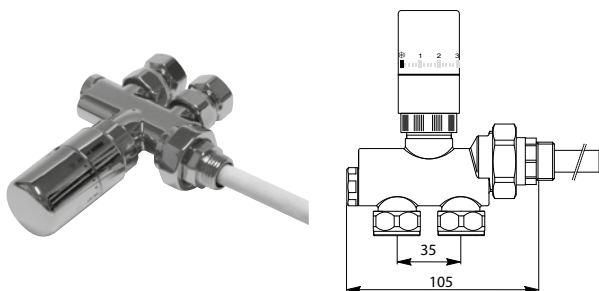
Art. Nr.

5103000000078

# ACCESSORIES - STAINLESS STEEL AND PAINTED RADIATORS

## BIDIRECTIONAL VALVES

Available for: **FRAME VERTICAL**



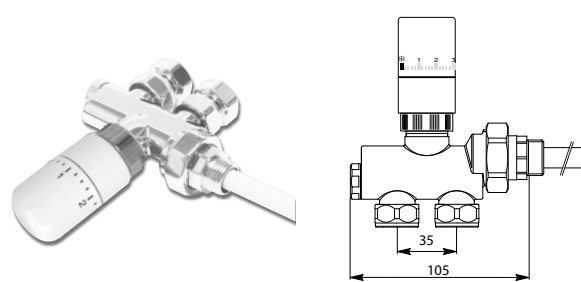
**BIDIRECTIONAL VALVE WITH CHROMED THERMOSTATIC HEAD**  
for connections type V12 - V13

Copper connection  $\varnothing$  12/14/15

Multilayer connection  $\varnothing$  16

Art. Nr. 5991990300181

Art. Nr. 5991990300182



**BIDIRECTIONAL VALVE WITH WHITE THERMOSTATIC HEAD**  
for connections type V12 - V13

Copper connection  $\varnothing$  12/14/15

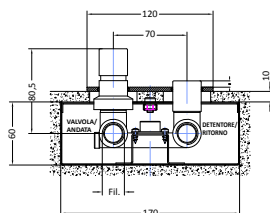
Multilayer connection  $\varnothing$  16

Art. Nr. 5991990311080

Art. Nr. 5991990311081

## WALL-FIT VALVES

Available for: **SFERE - SFERE TRITTICO - FRAME VERTICAL - FRAME HORIZONTAL**

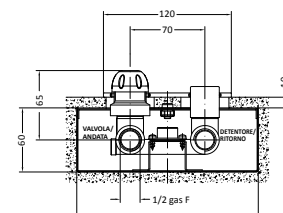


**MANUAL WALL-FIT VALVES WITH THERMOSTATIC OPTION**

for connections type V14 - H08

1/2" Chrome

Art. Nr. 5991990311226



**WALL-FIT VALVES WITH THERMOSTATIC HEAD**

for connections type V14 - H08

1/2" Chrome

Art. Nr. 5991990311227

### FITTINGS FOR WALL-FIT VALVES

Copper connection  $\varnothing$  12/14/15

Multilayer connection  $\varnothing$  16

Art. Nr. 5991170300001

Art. Nr. 5991170300002

### FITTINGS FOR WALL-FIT VALVES

Copper connection  $\varnothing$  12/14/15

Multilayer connection  $\varnothing$  16

Art. Nr. 5991170300001

Art. Nr. 5991170300002



The wall-fit valves can also be positioned far from the radiator; the important thing is that they are installed lower than the water inlet of the radiator.



# ACCESSORIES PAINTED RADIATORS

## ELEGANT VALVES KIT WHITE R01

Valve kit includes:

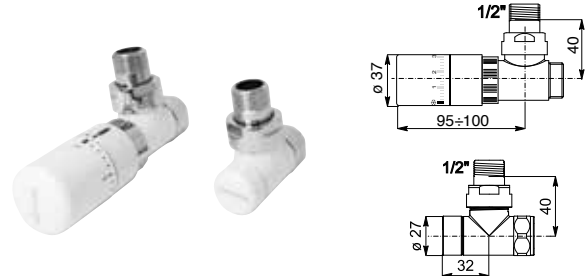
**Valves and holder - thermostatic Head (not in manual version) - Fittings for copper pipe ( $\varnothing$  12/14/15) or multilayer pipe ( $\varnothing$  16) - Couple of cover rings for copper pipe ( $\varnothing$  12/14/15) or multilayer pipe ( $\varnothing$  16).**

Available for: **ALL PAINTED CARBON STEEL RADIATORS**



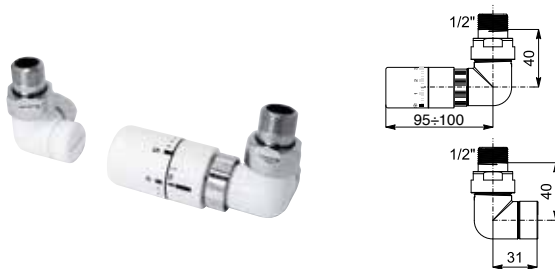
### SQUARE - MANUAL

Copper connection $\varnothing$ 12/14/15	Multilayer connection $\varnothing$ 16
Art. Nr. 5991990310553	Art. Nr. 5991990310552



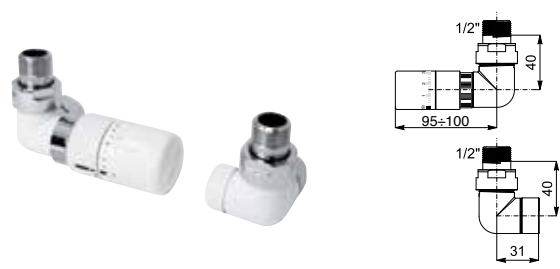
### SQUARE - WITH THERMOSTATIC HEAD

Copper connection $\varnothing$ 12/14/15	Multilayer connection $\varnothing$ 16
Art. Nr. 5991990310539	Art. Nr. 5991990310538



### CORNER (RIGHT) - WITH THERMOSTATIC HEAD

Copper connection $\varnothing$ 12/14/15	Multilayer connection $\varnothing$ 16
Art. Nr. 5991990310548	Art. Nr. 5991990310546



### CORNER (LEFT) - WITH THERMOSTATIC HEAD

Copper connection $\varnothing$ 12/14/15	Multilayer connection $\varnothing$ 16
Art. Nr. 5991990310549	Art. Nr. 5991990310547



**SLEEVING COVERING KIT** - see page 340

Valves with different colour as White R01 can be ordered together with radiator only and not separately. Article nr. are referred to colour White R01 version Available also coloured see page 350.

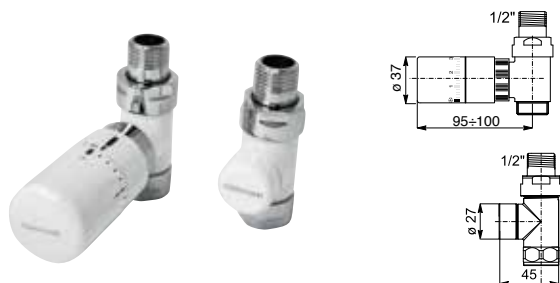
# ACCESSORIES PAINTED RADIATORS

## ELEGANT VALVES KIT WHITE R01

Valve kit includes:

**Valves and holder - thermostatic Head (not in manual version) - Fittings for copper pipe (Ø 12/14/15) or multilayer pipe (Ø 16) - Couple of cover rings for copper pipe (Ø 12/14/15) or multilayer pipe (Ø 16).**

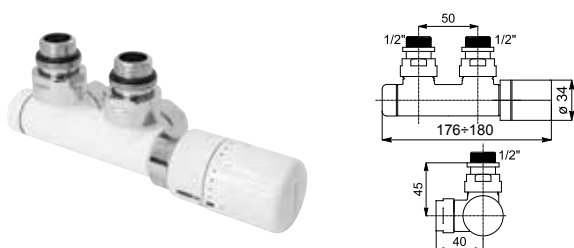
Available for: **ALL PAINTED CARBON STEEL RADIATORS**



### STRAIGHT - WITH THERMOSTATIC HEAD

Copper connection Ø 12/14/15	Multilayer connection Ø 16
Art. Nr. 5991990310541	Art. Nr. 5991990310540

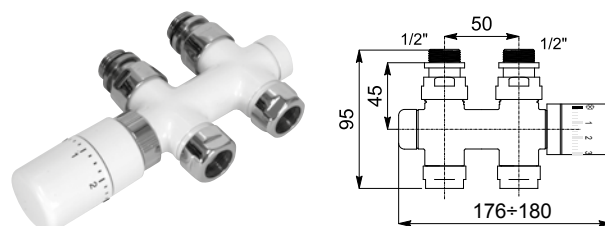
Available for: **FRAME PIPE CENTRES 50 - FRAME PLUS PIPE CENTRES 50 - ROSY GRAPHIC PIPE CENTRES 50 - ROSY GRAPHIC TANDEM PIPE CENTRES 50 - ROSY GRAPHIC MAX PIPE CENTRES 50 - GROOVE® - ROADS® - ANDREA - JACKY - YARA - DEBBY**



### PIPE CENTRES 50 MM SQUARE - WITH THERMOSTATIC HEAD

Only for V7 - V8 - V11 connections type

Copper connection Ø 12/14/15	Multilayer connection Ø 16
Art. Nr. 5991990310543	Art. Nr. 5991990310542



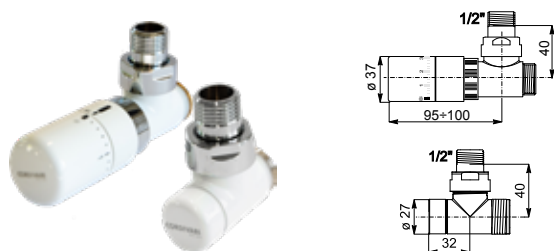
### PIPE CENTRES 50 MM STRAIGHT - WITH THERMOSTATIC HEAD

Only for V7 - V8 - V11 connections type

Copper connection Ø 12/14/15	Multilayer connection Ø 16
Art. Nr. 5991990310545	Art. Nr. 5991990310544

## EUROKONUS VALVES KIT WHITE R01

Available for: **ALL PAINTED CARBON STEEL RADIATORS**



### SQUARE - WITH THERMOSTATIC HEAD

3/4" EK Connexions

Art. Nr. 5991990332875
------------------------

### PIPER ADAPTOR FOR EUROKONUS

Copper connection Ø 12	Multilayer connection Ø 14
Art. Nr. 599199001022	Art. Nr. 5991990010232
Copper connection Ø 14	Multilayer connection Ø 16
Art. Nr. 5991990010230	Art. Nr. 5991990010232
Copper connection Ø 15	
Art. Nr. 5991990010231	

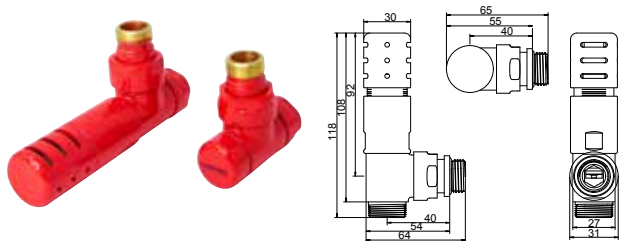
Valves with different colour as White R01 can be ordered together with radiator only and not separately.  
Article nr. are referred to colour White R01 version Available also coloured see page 350.

# ACCESSORIES PAINTED RADIATORS

## TINTA™ VALVES WHITE R01

NEW TINTA VALVES KIT INCLUDE:  
ENTIRELY COLOURED THERMOSTATIC HEAD.

Available for: **ALL PAINTED CARBON STEEL RADIATORS**



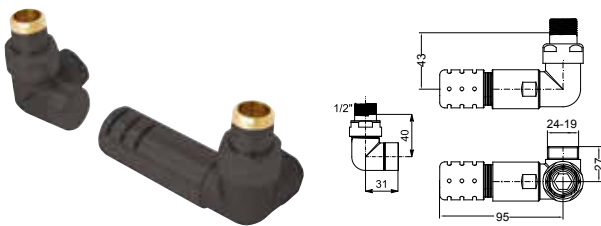
**SQUARE**

Copper connection Ø 12/14/15	Multilayer connection Ø 16
Art. Nr. 5991990311211	Art. Nr. 5991990311212



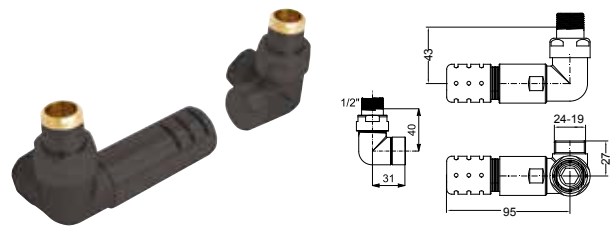
**SLEEVING COVERING KIT** - see page 340

The codes refer to standard colour white R01, the pictures show the tinta valve set in fully coloured version.



**CORNER (RIGHT) - WITH THERMOSTATIC HEAD**

Copper connection Ø 12/14/15	Multilayer connection Ø 16
Art. Nr. 5991990311228	Art. Nr. 5991990311229

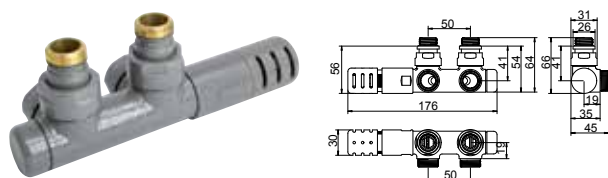


**CORNER (LEFT) - WITH THERMOSTATIC HEAD**

Copper connection Ø 12/14/15	Multilayer connection Ø 16
Art. Nr. 5991990311230	Art. Nr. 5991990311231

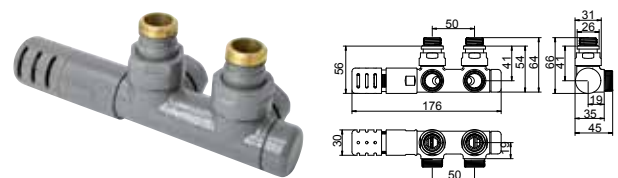
The codes refer to standard colour white R01, the pictures show the tinta valve set in fully coloured version.

Available for: **FRAME PIPE CENTRES 50 - FRAME PLUS PIPE CENTRES 50 - ROSY GRAPHIC PIPE CENTRES 50 - ROSY GRAPHIC TANDEM PIPE CENTRES 50 - ROSY GRAPHIC MAX PIPE CENTRES 50 - GROOVE® - ROADS® - ANDREA - JACKY - YARA - DEBBY**



**PIPE CENTRES 50 MM SQUARE - WITH THERMOSTATIC HEAD  
RIGHT** - Only for V7 - V8 - V11 connections type

Copper connection Ø 12/14/15	Multilayer connection Ø 16
Art. Nr. 5991990311217	Art. Nr. 5991990311216



**PIPE CENTRES 50 MM SQUARE - WITH THERMOSTATIC HEAD  
LEFT** - Only for V7 - V8 - V11 connections type

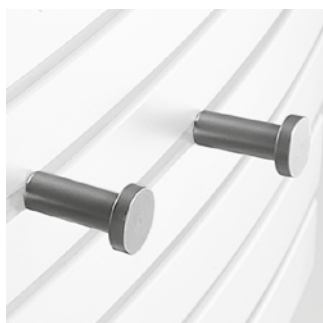
Copper connection Ø 12/14/15	Multilayer connection Ø 16
Art. Nr. 5991990311219	Art. Nr. 5991990311218

The codes refer to standard colour white R01, the pictures show the tinta valve set in fully coloured version.



# ACCESSORIES

## HOOKS SATIN STAINLESS STEEL - POLISHED STAINLESS STEEL



**KIT 2 HOOKS Ø 20 MM  
SATIN STAINLESS STEEL**

Available for:  
LOLA - BABYLA

Art. Nr. 5991990010224



**KIT 2 HOOKS Ø 20 MM  
POLISHED STAINLESS STEEL**

Available for:  
LOLA - LOLA DECOR  
BABYLA - FUJIKO

Art. Nr. 5991990010223

# HANGERS

## STRADIVARI



**STRAIGHT HANGER SATIN  
STAINLESS STEEL (L= 420 MM)**

Art. Nr. 5991990010159

## BADGE®



**STRAIGHT HANGER POLISHED  
STAINLESS STEEL  
(L= 570 mm)**

Available for:  
BADGE® VT

Art. Nr. 5991990310240

## FRAME - FRAME PLUS - FRAME MAX - FRAME ELECTRIC - FRAME BLOWER



**STRAIGHT HANGER  
POLISHED FOR MODELS  
FRAME - FRAME PLUS -  
FRAME MAX**

L. 352 (L= 404 mm)  
Art. Nr. 5991990300187

L. 464 (L= 516 mm)  
Art. Nr. 5991990300183

L. 576 (L= 628 mm)  
Art. Nr. 5991990300184

L. 688 (L= 740 mm)  
Art. Nr. 5991990300188

**STRAIGHT HANGER  
POLISHED FOR MODELS  
FRAME ELECTRIC - FRAME  
BLOWER**

L. 502 (L= 560 mm)  
Art. Nr. 5991990300191

L. 552 (L= 610 mm)  
Art. Nr. 5991990300192



**KIT 3 STRAIGHT  
HANGERS POLISHED FOR  
MODELS FRAME - FRAME  
PLUS - FRAME MAX**

L. 352 (L= 404 mm)  
Art. Nr. 5991990300189

L. 464 (L= 516 mm)  
Art. Nr. 5991990300185

L. 576 (L= 628 mm)  
Art. Nr. 5991990300186

L. 688 (L= 740 mm)  
Art. Nr. 5991990300190

**KIT 3 STRAIGHT HANGERS  
POLISHED FOR MODELS  
FRAME ELECTRIC - FRAME  
BLOWER**

L. 502 (L= 560 mm)  
Art. Nr. 5991990300193

L. 552 (L= 610 mm)  
Art. Nr. 5991990300194



**STRAIGHT HANGER  
PAINTED FOR MODELS  
FRAME - FRAME PLUS -  
FRAME MAX**

L. 352 (L= 404 mm)  
Art. Nr. 5991990310565

L. 464 (L= 516 mm)  
Art. Nr. 5991990310566

L. 576 (L= 628 mm)  
Art. Nr. 5991990310567

L. 688 (L= 740 mm)  
Art. Nr. 5991990310568

**STRAIGHT HANGER  
PAINTED FOR MODELS  
FRAME ELECTRIC - FRAME  
BLOWER**

L. 502 (L= 560 mm)  
Art. Nr. 5991990310664

L. 552 (L= 610 mm)  
Art. Nr. 5991990310665



**KIT 3 STRAIGHT  
HANGERS PAINTED FOR  
MODELS FRAME - FRAME  
PLUS - FRAME MAX**

L. 352 (L= 404 mm)  
Art. Nr. 5991990310569

L. 464 (L= 516 mm)  
Art. Nr. 5991990310570

L. 576 (L= 628 mm)  
Art. Nr. 5991990310571

L. 688 (L= 740 mm)  
Art. Nr. 5991990310572

**KIT 3 STRAIGHT HANGERS  
PAINTED FOR MODELS  
FRAME ELECTRIC - FRAME  
BLOWER**

L. 502 (L= 560 mm)  
Art. Nr. 5991990310666

L. 552 (L= 610 mm)  
Art. Nr. 5991990310667

Article nr. are referred to colour White R01 version Available also coloured see page 350.



CELINE RADIATOR IN STAINLESS STEEL WITH MY HEAD®



GERMAN DESIGN AWARD WINNER 2020

# THE HOUSE SAVES!

**My Way®:** THE SYSTEM THAT MAKES YOUR HOME MORE EFFICIENT AND ALLOWS YOU TO SAVE UP TO 30% ON ENERGY CONSUMPTION FOR HEATING.



**My way®**  
C O S Y H O M E

With the My Way® system you can optimize the functioning of the radiators of your home and precisely manage the comfort of each area or room according to your needs and your lifestyle.

Wherever you are, you can set the functions of the heating system; with the My Way® control unit and the application for your smartphone or web application [cordivarihome.com](http://cordivarihome.com)

My Way® can be installed on all existing installations without the need for costly interventions, in a simple and fast way, with reliable wireless thermostatic heads My Head, that do not require electrical connections.

# ACCESSORIES

## THERMOSTATIC HEAD



Liquid thermostatic head - SATIN

Art. Nr. 5035270710004



Liquid thermostatic head - POLISHED

Art. Nr. 5035270710002



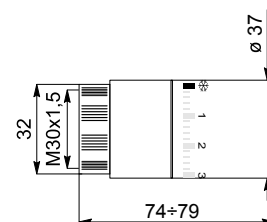
Liquid thermostatic head - GOLD

Art. Nr. 5035270710021



Liquid thermostatic head - WHITE

Art. Nr. 5035270710003



## MY WAY® COSY HOME

### HOME COMFORT KIT SYSTEM

THIS KIT INCLUDES EVERYTHING YOU NEED TO IMPLEMENT EASILY THE MY WAY SYSTEM ON THE HOME INSTALLATION:

- My Head electronic thermostatic heads in white color
- Control unit My Way®
- Heat source controller



Description	N° testine MY HEAD®	Art. Nr.
MY WAY® COMFORT KIT 4	4	3436316710003
MY WAY® COMFORT KIT 6	6	3436316710004
MY WAY® COMFORT KIT 8	8	3436316710005
MY WAY® COMFORT KIT 10	10	3436316710006

### COMPONENTS



Valve body for illustration purposes only.

### MY HEAD ELECTRONIC THERMOSTATIC HEADS

Wireless electronic thermostatic heads, applicable on all thermostatic valves Cordivari. Suitable for Extraslim® radiators. The heads My Head® also work in stand-alone mode without internet access. Each package includes adaptors for valves with M28/24/30 thread. Additional adapters are available on request.

Description	Art. Nr.	Diameter mm	Length mm
MY HEAD® BIANCA	5035270710022		
MY HEAD® NERA	5035270710023	48	95
MY HEAD® CHROME	5035270710024		

Thermostatic head MY HEAD suitable for all Cordivari thermostatic valves Elegant and Tinta.



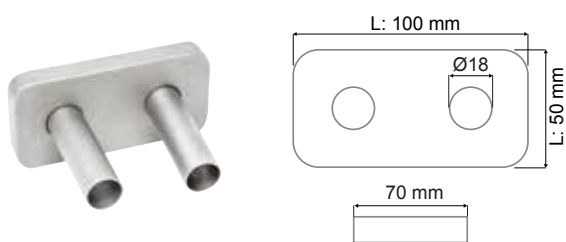
### CONTROL UNIT MY WAY®

Control unit with WIFI connection for manage of the entire system and associable devices. The unit can be remotely controlled through the application for smartphones and tablets and the Web APP. The package contains the controller, power supply with wall bracket and the bracket for the table.

Art. Nr.	Width mm	Height mm
5755280000024	150	110

# ACCESSORIES

## PIPE COVERING

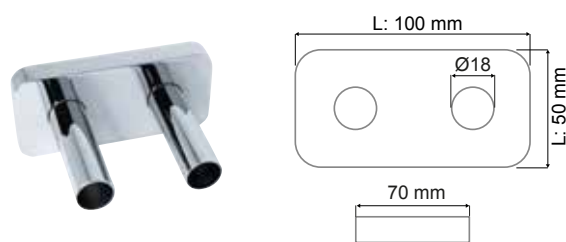


**SLEEVING KIT FOR PIPE CENTRES 50 MM**

**SATIN VALVES**

Art. Nr. 5103000000058

Pipe dimension:  $\varnothing$  18x70 mm. Covering dimension: 122x72 mm.

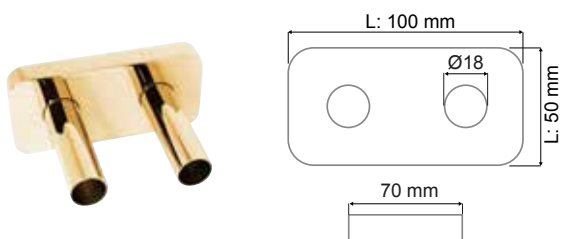


**SLEEVING KIT FOR PIPE CENTRES 50 MM**

**POLISHED VALVES**

Art. Nr. 5103000000057

Pipe dimension:  $\varnothing$  18x70 mm. Covering dimension: 122x72 mm.

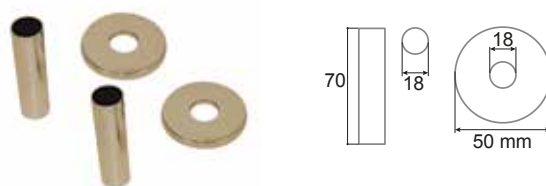


**SLEEVING KIT FOR PIPE CENTRES 50 MM**

**GOLD VALVES**

Art. Nr. 5103000000087

Pipe dimension:  $\varnothing$  18x70 mm. Covering dimension: 122x72 mm.



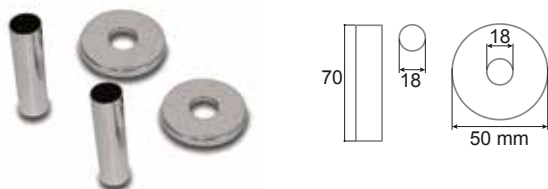
**SLEEVING COVERING KIT**

**ANTIQUE GOLD**

Art. Nr. 5103000000108

**ANTIQUE BRONZE**

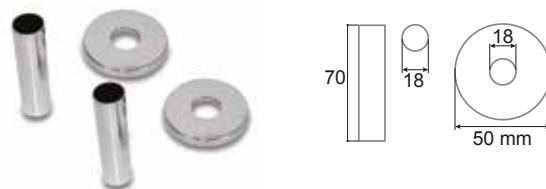
Art. Nr. 5103000000010



**SLEEVING COVERING KIT**

**SATIN VALVES**

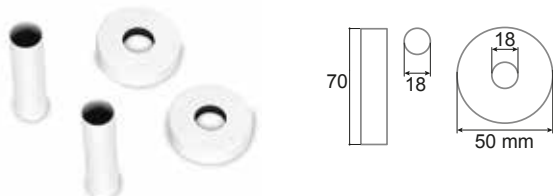
Art. Nr. 5103000000045



**SLEEVING COVERING KIT**

**POLISHED VALVES**

Art. Nr. 5103000000044



**SLEEVING COVERING KIT**

**AVAILABLE ONLY FOR TINTA VALVE**

Art. Nr. 5103000000089

Article nr. are referred to colour White R01 version Available also coloured see page 350.



**ACCESSORY: Multilayer fitting  $\varnothing$  20 x 2**

**SATIN VALVES**

Art. Nr. 5006170320001

**POLISHED VALVES**

Art. Nr. 5006170050051

**Please note:**

Valves Kit for multilayer connections are supplied for pipe with thickness 2. Fittings for Special Connexions not in catalogue on request.

# ACCESSORIES

## SPARE PARTS - FIXING KIT

### STAINLESS STEEL RADIATORS

Kits include: Brackets, airvent, blind plug, hexagonal tool, plugs and screws for mounting, user notice.



SATIN	
Available for:	Art. Nr.
<b>LOLA - LOLA Decor HOR - VT</b>	<b>5102000000511</b>
<b>BABYLA</b>	<b>5102000000423</b>

POLISHED	
Available for:	Art. Nr.
<b>LOLA - LOLA Decor HOR - VT</b>	<b>5102000000510</b>
<b>FUJYKO</b>	
<b>BABYLA</b>	<b>5102000000412</b>
<b>KELLY</b>	<b>5102000000414</b>

### PAINTED CARBON STEEL RADIATORS

Art. Nr. are referred to colour WHITE R01 - RAL 9010 version. Available also coloured with surcharge - See page 350.



Available for:	Art. Nr.
<b>ROSY GRAPHIC HOR</b>	<b>5102000000422</b>
<b>FRAME</b>	<b>5102000000663</b>



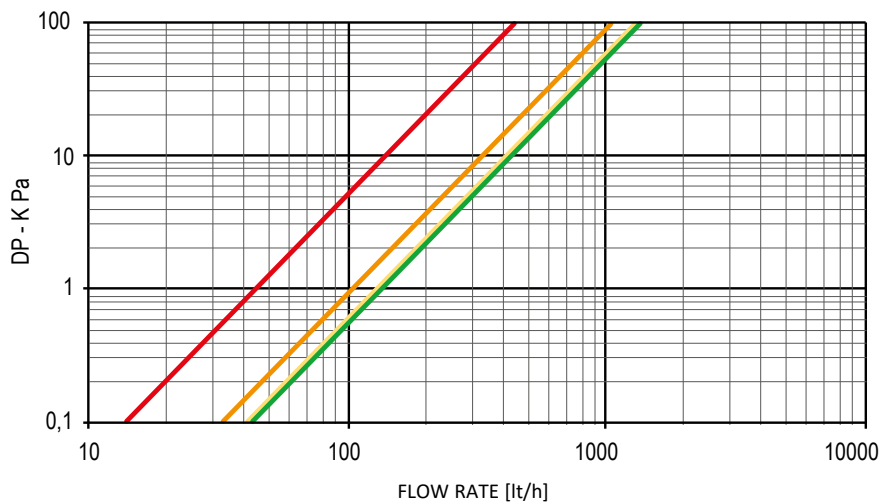
Available for:	Art. Nr.
<b>ROSY GRAPHIC VT</b>	<b>5102000000512</b>
<b>ROSY GRAPHIC TANDEM VT</b>	<b>5102000000514</b>
<b>ROSY PICTURE VT</b>	<b>5102000000512</b>
<b>FRAME PLUS</b>	<b>5102000000513</b>



Available for:	Art. Nr.
<b>MOVIE®</b>	<b>5102000000265</b>
<b>HAND® CONTROL</b>	<b>5102000000264</b>
<b>BADGE® CONTROL</b>	
<b>JUNGLE® CONTROL</b>	
<b>GIULY®</b>	<b>5102000000263</b>
<b>SFERE</b>	
<b>E.SIGN</b>	

# ELEGANT VALVES FLOW RESISTANCE

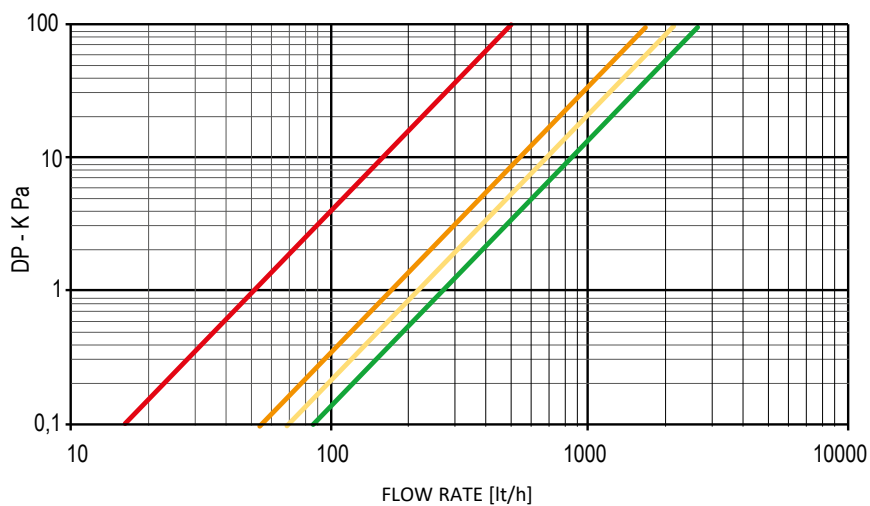
The different coloured lines indicate different opening levels of the thermostatic head.



**STRAIGHT ELEGANT**



**STRAIGHT ELEGANT PIPE CENTRES 50 MM**



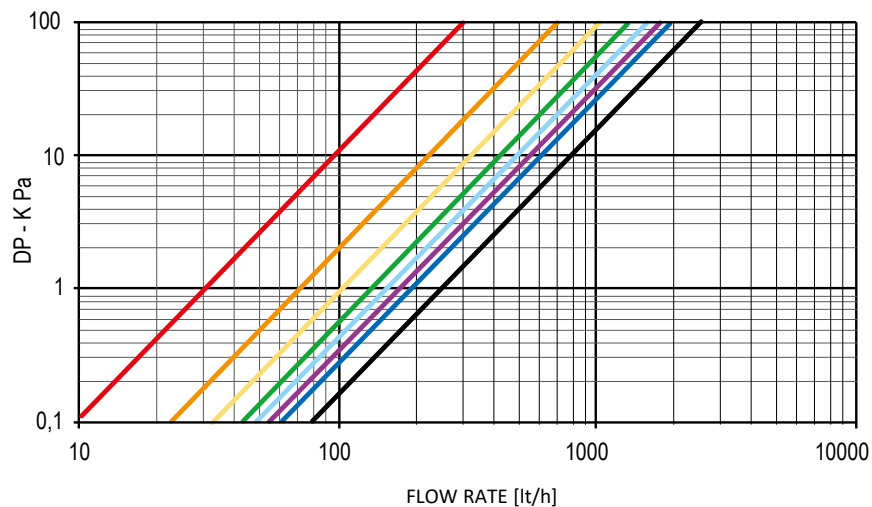
**SQUARE MANUAL ELEGANT**



**REVERSE MANUAL ELEGANT**

# ELEGANT VALVES FLOW RESISTANCE

The different coloured lines indicate different opening levels of the thermostatic head.



**ELEGANT CORNER**

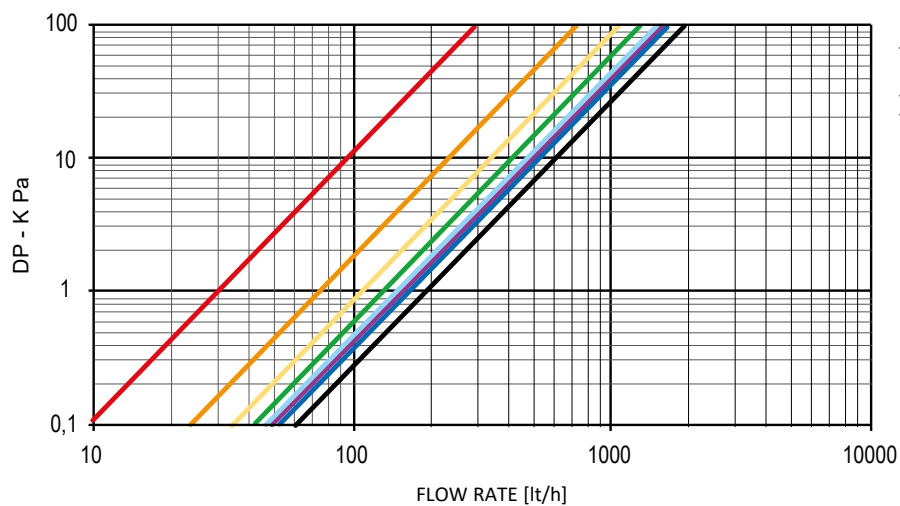


**SQUARE ELEGANT PIPE CENTRES 50 MM**

INOX STYLE

EXTRASLIM®

NEO DESIGN



**STRAIGHT ELEGANT PIPE CENTRES 50 MM**

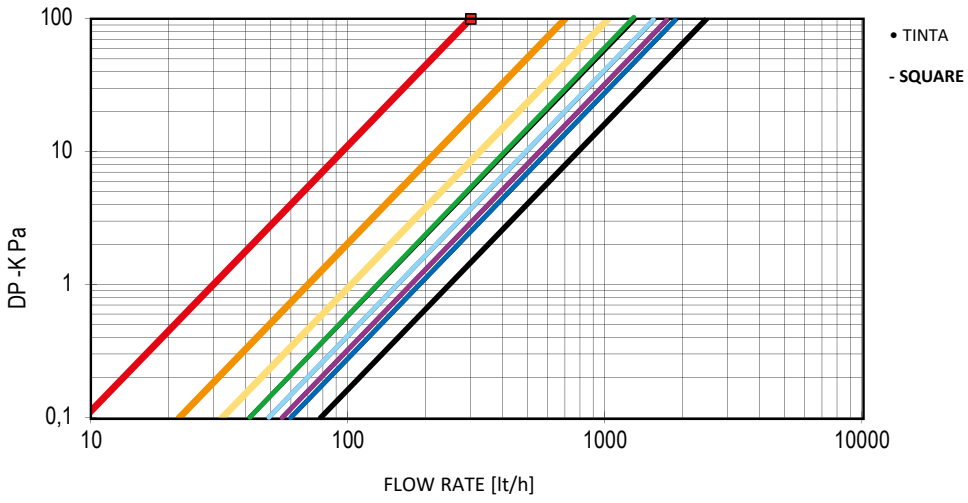
CLASSIC LINE

GRAPHIC PICTURE

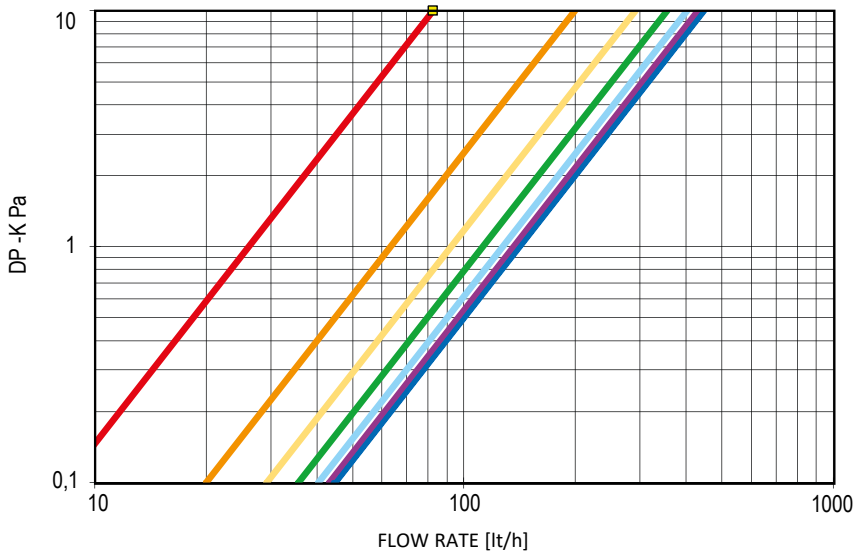
VALVES AND ACCESSORIES  
TECHNICAL SUPPORT

# “TINTA” VALVES FLOW RESISTANCE

The different coloured lines indicate different opening levels of the thermostatic head.



SQUARE TINTA

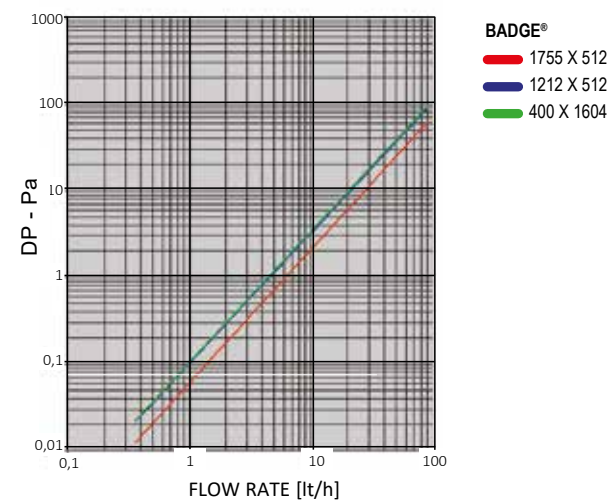
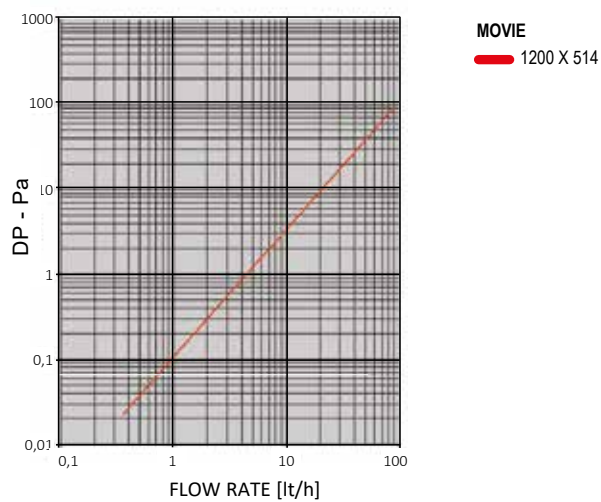
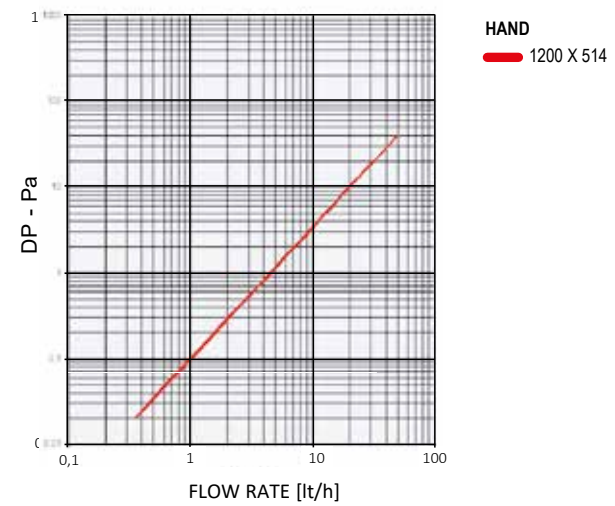
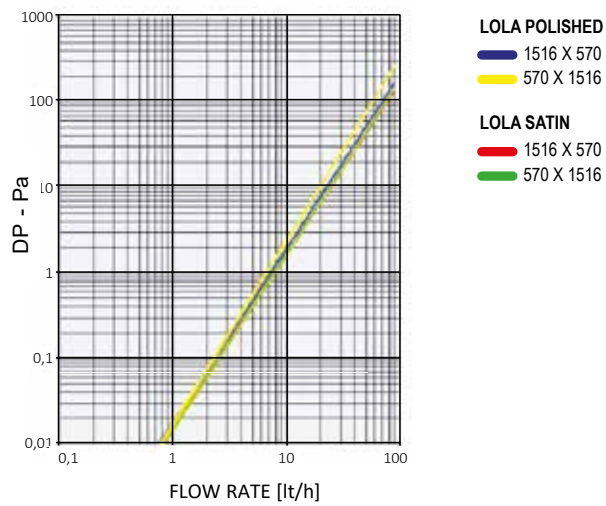
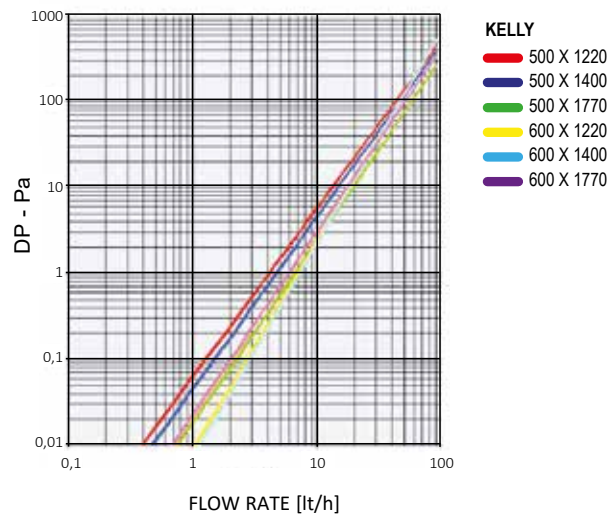
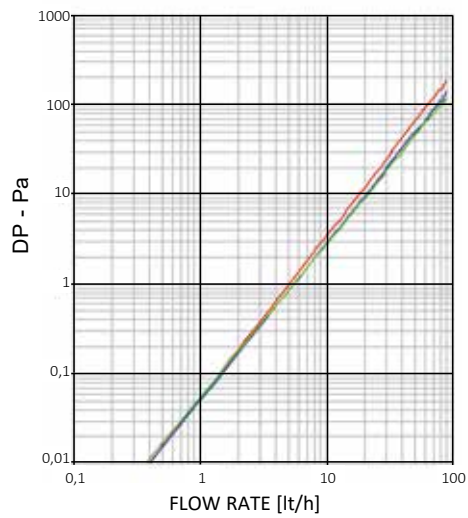


PIPE CENTRES 50 MM TINTA



# CORDIVARI RADIATORS FLOW RESISTANCE

Below, it is reported the flow resistance diagram for some Cordivari Design radiators. From the diagram we can see that radiators' flow rate are marginal compared to the general heating system ones.



# TECHNICAL FORMULAS FOR PROFESSIONALS

## THERMAL OUTPUT

The power of a radiator to exchange heat in the room where it is installed depends on many factors: shape, size, installation type....and so on, and from a pure technical point of view, from the difference between its temperature and the air temperature around it.

It is known in physics that heat is transmitted spontaneously from a hot body to a cold body and this heat transmission is as big as the difference in temperature between the two bodies. In order to have comparable data between radiators thermal output, it is necessary to establish the difference in temperature between the radiator and the environment in which it has been fitted.

On this regard, EN 442 European directive refers to the temperature difference between the average hot water temperature inside the radiator and the room temperature where the radiator is fitted.

$T_1$  = delivery temperature

$T_2$  = back flow temperature

$$\Delta T = \left( \frac{T_1 + T_2}{2} \right) - T_a$$

$T_a$  = room temperature

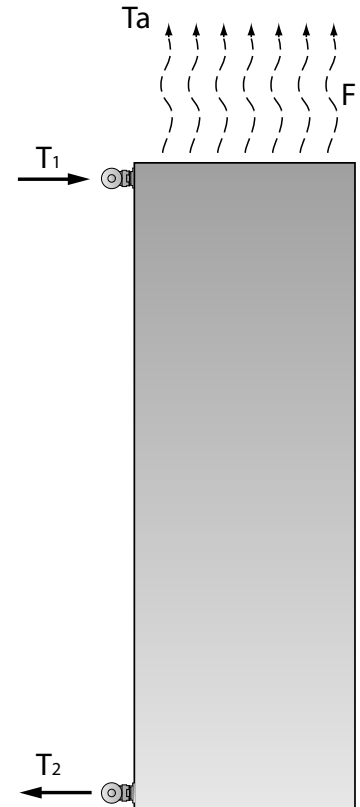
For example:

$T_1 = 75^\circ\text{C}$

$T_2 = 65^\circ\text{C}$

$T_a = 20^\circ\text{C}$

$$\Delta T = \left( \frac{75 + 65}{2} \right) - 20 = 50^\circ\text{C}$$



$\Delta T$  is established at  $50^\circ\text{C}$  and the radiator thermal output has to be determined by authorised laboratories according to standard procedures, defined by the European directive. As a consequence:

$$\Phi = K_M * \Delta T^n \quad [\text{W}]$$

That it is called "Heating Body Typical Equation". Such equation allows to calculate the radiator thermal output according to whatever  $\Delta T$ . In such cases, the radiator thermal output at a different  $\Delta T$  than  $50^\circ\text{C}$ , it is calculated as follows:

$$\Phi_{\Delta T} = K_M * \Delta T^n \qquad \Phi_{\Delta T} = \frac{\Phi_{50}}{50^n} * \Delta T^n$$

To be precise, the directive states that it is necessary to refer to the arithmetic temperature difference ( $\Delta T$  above established) if as it happens in most cases the relation

$$\mu = \frac{T_2 - T_a}{T_1 - T_a}$$

is bigger or equal to 0.7. If the radiator is functioning with low water temperature or big temperature drops, the relations  $\mu$  is lower than 0.7. In this case, it is necessary to change to the above stated relation the "temperature arithmetic difference" with the "temperature logarithmic difference", defined below:

$$\Delta T = \left[ \frac{T_1 - T_2}{\ln \frac{T_1 - T_a}{T_2 - T_a}} \right]$$

**Example**

If the nominal thermal output of one radiator stated in the catalogue is:

$$\Phi = 430[W] = 369,8[KCal/h]$$

and typical equation defined as:

$$\Phi = 3,2967 * \Delta T^{1,2451}$$

and if we assume to make the radiator functioning at  $\Delta T = 60^\circ C$  we obtain:

$$\Phi = 3,2967 * 60^{1,2451} = 539,6[W] \Rightarrow 539,6 * 0,860 = 464[KCal/h]$$

It is possible to state then, that going from  $\Delta T = 50$  to  $\Delta T = 60$  the radiator thermal output rise of 25,5%.  
If we think to make functioning the same radiator according to the below conditions:

$$T_1 = 55^\circ C$$

$$T_2 = 35^\circ C$$

$$T_a = 20^\circ C$$

$$\mu = \frac{35-20}{55-20} = 0,429 < 0,7 \quad \text{et} \quad \Delta T = \left[ \frac{T_1 - T_2}{\ln \frac{T_1 - T_a}{T_2 - T_a}} \right] = \left[ \frac{55-35}{\ln \frac{55-20}{35-20}} \right] = 23,6^\circ C$$

Applying the above procedure, the thermal output  $\Delta T 23,6^\circ C$  it is equal to:

$$\Phi = 3,2967 * 23,6^{1,2451} = 168,8[W] \Rightarrow 168,8 * 0,860 = 142,2[KCal/h]$$

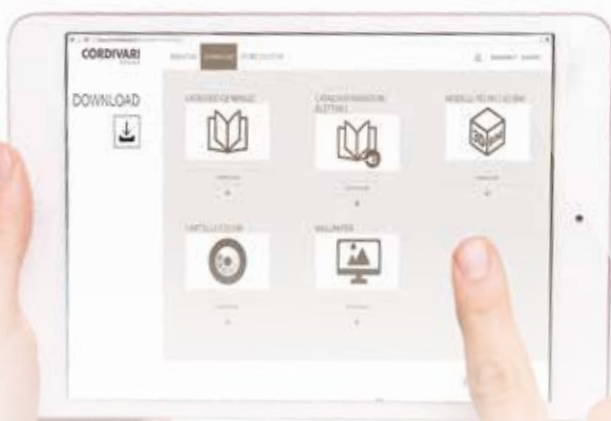
We remind that in order to have the thermal output express in Kcal/h, it is necessary to multiply the value in Watts x 0.860.

## TO CALCULATE THERMAL OUTPUT AT A DIFFERENT $\Delta T$ THAN $50^\circ C$

In order to satisfy the increasing exigent demands coming from architects and designer, Cordivari Design has developed a software that with few and easy steps allows you to choose the right radiators and the right needed power. This includes also the possibility to calculate the needed output at different Delta T than 50. The Cd also includes the radiators .3ds, .dwg, .dxf technical drawings suitable to be used with design software programmes, and the Cordivari Design catalogue in pdf version for an immediate and easy consultation.

In our website [www.cordivaridesign.com](http://www.cordivaridesign.com), you can calculate the ideal thermal efficiency of your chosen radiators according to your heating system or download the latest version of the software in the download area.

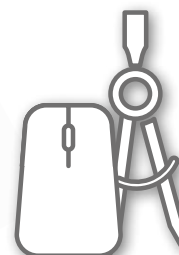
VISIT OUR WEBSITE



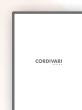
[www.cordivaridesign.com](http://www.cordivaridesign.com)



DOWNLOAD



3D TECHNICAL  
MODELS



CATALOGUE  
PDF FILE



SOFTWARE  
(DELTA T  
CALCULATION)



PICTURES OF  
RADIATORS

# FORMULAS



# RAISING®

design **Mariano Moroni**



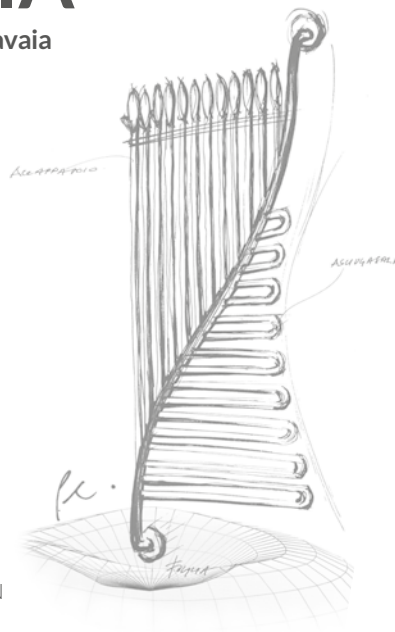
OPEN ART/OFFICE

Promoted by "A.M.A.C.I." the association of all Italian contemporary Museums.

Raising®, a free standing model that frees the radiator from the traditional position on the wall, which combines the function of the radiator with the one of a floor lighting.

# FOGLIA®

design **Paola Pinnavaia**



DESIGN DISTINCTION  
Award 2001  
I.D. Review, New York

Foglia® conceived in 1999 as first design heating element where the sinuous shape meets the stainless steel's strength.

Available on request





# BRIDGE®

design **Mariano Moroni**



Bridge® embodies the concept of archaeological industrial production of objects for everyday use in a modern key. A versatile radiator that fulfils its function of high efficiency heating and becomes a multi-purpose furniture element.

Available on request

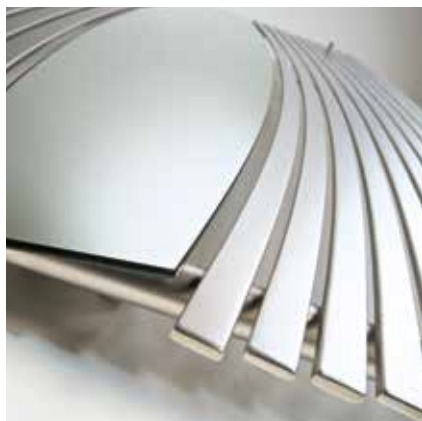
INOX STYLE

EXTRASLIM®

NEO DESIGN

# RENÉE

design **Mariano Moroni**



"Comfortable, warming and protective shapes enhance every reflected image. The two groups of satin stainless steel heating elements seems to compete for the light while embracing a central mirror."

**M. Moroni**

Available on request



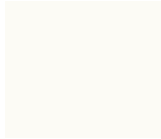
CLASSIC LINE

GRAPHIC PICTURE

VALVES AND ACCESSORIES  
TECHNICAL SUPPORT

# VINTAGE

## STANDARD



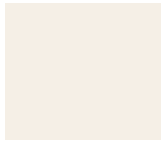
**RAL 9010 - R01**  
BIANCO  
PURE WHITE

ON DEMAND WITHOUT  
SURCHARGE



**RAL 9016 - R02**  
BIANCO TRAFFICO  
TRAFFIC WHITE

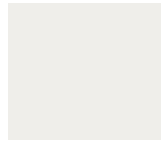
## LUCIDI GLOSSY



**RAL 9001 - R14**  
CREMA  
CREAM



**S20**  
JASMINE



**S03**  
PERGAMON



**S16**  
CANARY



**RAL 1013 - R40**  
PEARL WHITE



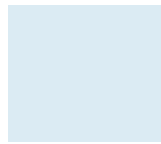
**S10**  
ANEMONE



**RAL 1021 - R05**  
GIALLO ACCESO  
YELLOW RAPE



**RAL 1004 - R06**  
GIALLO ORO  
GOLD



**H04**  
GHIACCIO  
ICE



**H42**  
GROTTA AZZURRA  
BLUE GROTTO



**H09**  
LAGO  
LAKE



**RAL 5015 - R11**  
BLU CIELO  
BLUE SKY



**RAL 5017 - R18**  
BLU OLTREMARE  
OVERSEAS BLUE



**RAL 5022 - R19**  
BLU NOTTE  
BLUE NIGHT



**RAL 9005 - R13**  
NERO  
JET BLACK



**H24**  
MANGO



**H25**  
MANDARINO  
TANGERINE



**RAL 2004 - R16**  
ARANCIO  
PURE ORANGE



**H27**  
ROSSO VIVO  
BRIGHT RED



**RAL 3003 - R08**  
ROSSO RUBINO  
RUBY RED



**RAL 4008 - R25**  
VIOLA  
PURPLE



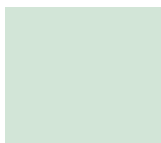
**H53**  
LILLA ACCESO  
BRIGHT LILAC



**H55**  
PINK PANTHER



**S13**  
ROSA SUSSURRATO  
LIGHT PINK



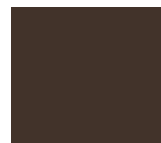
**RAL 6019 - R26**  
WEISSGRÜN  
LIGHT GREEN



**H30**  
MELA VERDE  
GREEN APPLE



**RAL 6002 - R20**  
VERDE FOGLIA  
GREEN LEAF



**RAL 8017 - R09**  
TESTA DI MORO  
DARK BROWN



**S17**  
BAHAMA BEIGE



**H48**  
TORTORA  
DOVE



**H56**  
PIETRA LAVICA  
LAVIC STONE



**S07**  
GRAFITE  
GRAPHITE



**RAL 7030 - R22**  
GRIGIO PIETRA  
STONE GREY



**S02**  
MANHATTAN



**RAL 7001 - R21**  
GRIGO ARGENTO  
SILVER GREY



**R27**  
GRIGIO METALLIZZATO  
METAL GREY

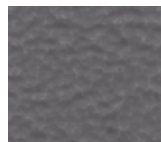
## WAVY



**W01**  
NOTTURNO



**W02**  
CARBONE  
CARBON



**W03**  
DOLOMITE



**W05**  
FIOCCO NEVE  
SNOWFLAKE



**R31**  
IVORY

# OPACHI MATT



**T01**  
NERO OPACO  
MATT BLACK

**T10**  
BEIGE OPACO  
MATT BEIGE

**T11**  
BIANCO OPACO  
MATT WHITE

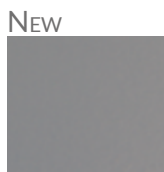
**T12**  
GRIGIO CHIARO OPACO  
MATT LIGHT GREY

**T13**  
GRIGIO OPACO  
MATT GREY

**T14**  
MARRONE OPACO  
MATT BROWN



**T15**  
TELA OPACO  
TELA



**T16**  
LONDON GREY 7016

# MELANGE



**M01**  
GOLD BLACK



**M02**  
BLACK BROWN



**M04**  
BLACK SILVER 2



**M06**  
GOLD WHITE

# SPECIAL FINISHING



**F06**  
NERO RUVIDO METALLIZZATO  
METAL ROUGH BLACK



**F15**  
NERO BRILLANTE METALLIZZATO  
METAL SPARKLING BLACK



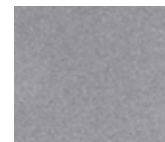
**F04**  
GRIGIO GRAFITE  
GRAPHITE GREY



**F03**  
ANTRACITE METALLIZZATO  
METAL ANTHRACITE



**F09**  
GRIGIO ALBA METALLIZZATO  
GRAPHITE GREY



**F07**  
EFFETTO ARGENTO  
SILVER EFFECT



**F20**  
MILKY



**F22**  
ORO CLASSICO  
CLASSIC GOLD



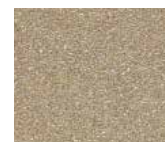
**F14**  
EFFETTO ANTIQUE BRONZE  
OLD BRONZE EFFECT



**F24**  
BLACK STAR



**F23**  
SPARKLING GREY



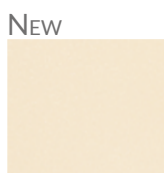
**F25**  
QUARTZ DUST



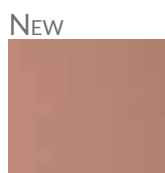
**F27**  
MOONSHINE



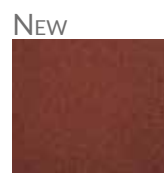
**F26**  
DARK ALUMINIUM



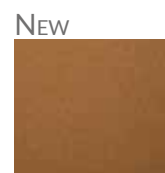
**F30**  
WHITE SAND



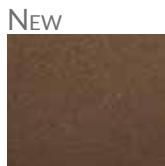
**F38**  
SANDSTONE



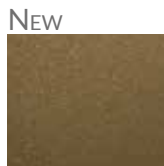
**F34**  
RED SAND



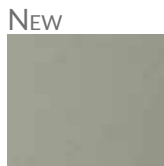
**F31**  
CORTEN BROWN



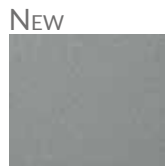
**F36**  
TERRA



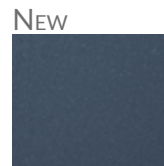
**F35**  
FOREST GREEN



**F33**  
EMERALD SAND



**F32**  
GREY SKY



**F37**  
DENIM BLUE

INOX STYLE

EXTRASLIM®

NEO DESIGN

CLASSIC LINE

GRAPHIC PICTURE

VALVES AND ACCESSORIES  
TECHNICAL SUPPORT

Please refer to Cordivari Design Colours chart, in order to see the real colour.

# COLOURS





# COMPANY SYSTEM CERTIFICATES



**ENVIRONMENT SYSTEM CERTIFICATE UNI EN ISO 14001**

Cordivari has always had among its goals:

- Continual improvement of its products
- Minimal environmental impacts
- Achievement of total quality

Cordivari worked out in order to obtain the most important certifications showing the company engagement in front of its internal system and external environment.

## CE RADIATORS MARK

### CE radiators mark: main futures

CE mark of radiators is the compliance to the minimal security requirements of European Directive of Standard 89/106/CEE and to the relevant EN 442-1-2-3.

The CE mark for radiators is compulsory since 01/12/2005.

The main features and tests are:

- Thermal output with relevant heat loss and characteristic formula tested by a certified laboratory as CETIAT, MRT and HLK.
- Conformity to the directive 76/769/CEE regulating the use of dangerous substances during painting process.
- Fire resistance according to EN 13501-1
- Corrosion resistance, endurance in humid atmosphere (min. 100 hours)
- Pressure test

The symbol of CE mark, in conformity to the directive 93/68/CEE, together to other technical information, is applied on the product and on its packaging.



**QUALITY SYSTEM CERTIFICATE UNI EN ISO 9001**

### Main Standards regulating the construction of design radiators

UNI EN 442-1:2015  
Radiators and convectors - Part 1 Technical specifications and requirements

UNI EN 442-2:2015  
Radiators and convectors - Part 2 Test Methods and Rating

UNI EN 13501-1:2009  
Fire class of products and construction parts.

CPR 305/2011  
Regulation (EU) No 305/2011 of the European Parliament and of the Council of 9 March 2011 laying down harmonised conditions for the marketing of construction products and repealing Council Directive 89/106/EEC

76/769/CEE  
Directive on use and market of some dangerous substances.

93/68/CEE  
CE mark.

# CERTIFICATES

# GENERAL SALES CONDITIONS AND WARRANTY

Sales of Cordivari's products are made according to the conditions listed below. Exceptions should be accorded in written by Cordivari Srl.

## 1. SHIPMENT

Goods are transported at buyer's risk and peril, even if they are shipped free of carriage. Goods have to be checked at the delivery about unaltered packaging, missing or confused products in the presence of the forwarder. Any claim has to be immediately communicated to the forwarder by appointing the shipment's document and by registered mail within 8 days from receipt of the goods (otherwise Cordivari Srl is cleared of his responsibilities).

## 2. DELIVERY TERMS

Delivery terms are indicative. Failure to comply with the agreed delivery terms for any reasons will not entitle the buyer to any compensation, cancellation or modification of the order without our prior consent. In case of strikes, lack in raw materials, or any other Act of God, Cordivari Srl reserves the right to decide proper countermeasures; in this case Cordivari Srl should be considered exempted from any responsibility. Shall ordered goods not be collected within agreed date, the same will be invoiced and stored with risks and costs charged to the customer.

## 3. DRY WEIGHT, MEASURES, SURFACES

Dry Weights, measures, surfaces, shapes, sizes, images and other figures related to the products are merely indicative and Cordivari Srl may at any time modify them.

## 4. ORDER CANCELLATION OR MODIFICATION

All orders are valid only if accepted in written form by Cordivari Srl. No orders shall be cancelled even partially without the consent of Cordivari Srl. It will not be possible to modify the order when the production has already started. Some cost due to the modifications or cancellation will be charge to the buyer.

## 5. RADIATORS/ACCESSORIES WARRANTY ON CONSTRUCTION DEFECTS

For all the Stainless Steel design radiators (excluding model Blow\*, Frame and Frame Plus), Cordivari Srl offers a 15 years warranty, if radiators are installed in closed heating system.

For carbon steel radiators and brass radiator, hot water and electric version (including model Blow\*, Frame and Frame Plus), for the Accessories and for all the other items not listed in sales conditions, Cordivari Srl offers warranty terms and period according to the national law following the directive for warranties 1999/44/CE, only if radiators are installed in closed heating system.

- The warranty period starts with the date of the delivery of the material by Cordivari and this warranty is invalidated if the code of the radiator with the date is removed or modified.
- Warranty is only valid if Cordivari S.r.l. is notified by registered mail about the fault within 8 days since delivery.
- Warranty will take effect after having examined the defects and their causes in the Cordivari plant.
- The materials that have to be replaced or repaired must be shipped free of charge to the Cordivari plant.

Warranty will be applicable at the following conditions:

- materials must have been stored in good conditions and protected from the inclemency of the weather before installation;
  - radiator did not have damages during transport, handling or installation;
  - no alterations or reparations must be done without the prior consent of the seller;
  - the buyer must have paid all the bills within the pre-established deadlines;
  - if for cleaning none of those aggressive, corrosive, substances not suitable for radiators material have been used;
  - the installation must have been done by professionals and in conformity with all instructions and standards written on the technical data sheets provided by Cordivari S.r.l.;
  - no periodical emptying or charging of the system must have taken place;
  - no aggressive chemical substances must have been added to the water of the system
  - the working pressure and temperature shown in the catalogue must correspond to the current usage pressure and temperature;
  - the caps and Accessories used must be original Cordivari materials;
  - radiator has not been connected to a system with open expansion tank;
  - the radiators must not have been connected to the sanitary water system;
- The warranty doesn't cover construction or dismantling costs to move the product from/to the installation place.

In case of using antifreeze, it should never be used pure, but it has to be diluted before including in the heating system.

When you use anti-corrosion, it has to be compatible with all the material composing the heating elements of the radiator.

In case of preinstalled Cordivari's caps, each alteration of those caps will void the warranty of the product. Cordivari will not assume responsibilities for radiator assembled by other people and/even for caps which are not by Cordivari. Cordivari's warranty immediately cease in case of reparations or modifications on products without the previous agreement of Cordivari.

Heating system should be without any remaining of metals, calamine, grease, and without presence of gas.

Before starting the heating system, make a rinse to cancel any residual from the installation/working.

Warranty will not be valid in case of damages caused by electrical system.

The purchaser may not claim any other cost of direct or indirect damage to person or properties resulting from above confirmed defects.

## 6. PAYMENTS

All invoices have to be paid according to the agreed deadline. Any delay, even partial may suspend the planned deliveries. Overdue interest could be charged at current rates.

## 7. GOODS' PROPERTY

Cordivari Srl remains owner of the delivered goods until they are not completely paid. In case of failure to proceed to the payment, Cordivari Srl could ask for immediate restitution of goods and keep the paid partial amount as indemnity. Cordivari Srl can reserve the right to evaluate bigger damages caused by the outstanding amount.

## 8. PRICES

Prices are not binding and can be modified without communication and can be modified on basis of the modifications which could appear before and during delivery. Prices are intended on FCA-MORRO D'ORO Incoterm 2010 basis, except in case of written agreements. For some voluminous delivery Cordivari may charge some extra-costs. All prices indicated are V.A.T. excluded.

## 9. ORDERS/DELIVERY

The Order value is minimum EURO 2.000,00. Given orders are binding to the buyer, who acknowledges of all our sales conditions.

Delivery is considered to customer main place/warehouse; for any different destination please get in touch with our sales dept.

## 10. COURT AUTHORITY

For the following Catalogue and conditions only the provisions of Italian law will be used. For controversy, the Court of Teramo (Italy) shall have exclusive competence. Essential and trial law shall be exclusively Italian.

## 11. ORIGINAL VERSION

Being a translation, the Italian language is the only valid language for interpretation and conditions of this catalogue version.

© Copyright Cordivari S.r.l.

All rights such as reproduction, diffusion and translation are reserved. No part of this brochure can be reprinted or reproduced to any other form without a written authorization by Cordivari Srl. The present catalogue substitutes and invalidates all previous editions. Cordivari reserves the right to modify in every moment products and figures reported in the catalogue and has no responsibility for any press mistake.

# CONDIZIONI DI VENDITA E GARANZIA

La vendita dei prodotti viene effettuata conformemente alle sotto elencate Condizioni Generali di Vendita e Garanzia. Ogni deroga è subordinata all'accettazione scritta da parte dalla Cordivari Srl.

## 1. SPEDIZIONE

La merce viaggia a rischio e pericolo del Committente, anche se viene spedita franco destino. La merce deve essere verificata all'atto della consegna, controllando l'integrità dell'imballaggio, articoli mancanti o sostituzioni in presenza del trasportatore. Ogni contestazione dovrà essere segnalata immediatamente al trasportatore/corriere firmando con riserva il DDT e confermando tale riserva a mezzo lettera raccomandata o posta certificata entro otto giorni dal ricevimento della merce.

## 2. TERMINI DI CONSEGNA

I termini di consegna si intendono approssimativi e comunque se il termine di consegna non potesse essere rispettato per qualsiasi motivo, il Committente non avrà diritto a esigere alcun indennizzo, pagamenti di penali, annullamento o modifica all'ordine conferito. In caso di eventi straordinari quali calamità naturali, scioperi, mancanza di materie prime, e cause di forza maggiore, la Cordivari Srl si riserva la scelta delle misure da adottare.

Se la merce ordinata non viene ritirata nel periodo concordato, questa verrà fatturata e immagazzinata con costi, rischio e pericolo a carico del committente.

## 3. PESI, MISURE, SUPERFICI

Pesi, misure, superfici, forme, dimensioni, immagini e altri dati sono indicativi e non impegnativi e possono subire delle modifiche o variazioni che la Cordivari Srl si riserva di apportare ai suoi prodotti senza preavviso.

## 4. ANNULLAMENTO O MODIFICA ORDINE

Senza il consenso scritto della Cordivari Srl, le ordinazioni conferite non possono essere né parzialmente né totalmente annullate o modificate. Non si accordano variazioni o modifiche quando sia già stata intrapresa la lavorazione. Eventuali spese derivanti dall'annullamento o modifica dell'ordine saranno fatturate al Committente.

## 5. GARANZIA RADIATORI/ACCESSORI

Per tutti i radiatori d'arredo in acciaio inox la Cordivari Srl garantisce 15 anni. Per tutti i radiatori con il circuito diverso dall'acciaio inox, per gli accessori e per tutti gli articoli residuali non contemplati nelle condizioni di vendita la Cordivari Srl garantisce nei termini e per il periodo di tempo stabilito dalla legge nazionale di recepimento della Direttiva Garanzie 1999/44/CE.

- La garanzia decorre dalla data di consegna da parte della Cordivari e decade se viene manomessa e/o rimossa l'indicazione del lotto di produzione.
- I prodotti diventati inutilizzabili per difetti di costruzione saranno riparati o sostituiti gratuitamente franco Vs. destinazione.

La condizione essenziale affinché la garanzia sia valida è che i difetti riscontrati siano notificati entro 8 (otto) giorni dal ricevimento della merce, per iscritto tramite raccomandata A/R o posta certificata.

- La garanzia sarà operante previo esame dei difetti e delle loro cause presso la sede della Cordivari Srl.
- Il materiale da sostituire o riparare dovrà essere consegnato franco magazzino presso la Cordivari Srl.

L'impegno di prestare la garanzia sussiste a condizione che:

- il materiale sia stato immagazzinato in buone condizioni e al riparo dalle intemperie prima di essere installato;
- il radiatore non abbia subito danneggiamenti durante il trasporto, le movimentazioni o l'installazione;
- Non siano state effettuate manomissioni o riparazioni dei prodotti senza l'autorizzazione della Cordivari Srl;
- Il compratore abbia effettuato il saldo dei pagamenti nei termini prestabiliti;
- L'installazione sia stata realizzata da personale qualificato e in conformità alle istruzioni e alle norme indicate sulla documentazione tecnica fornita dalla Cordivari Srl;
- Per la pulizia del radiatore non siano stati utilizzati detergenti aggressivi, abrasivi incompatibile con il materiale del corpo scaldante.
- Non siano stati effettuati svuotamenti o caricamenti periodici dell'impianto;
- Non siano state effettuate aggiunte di sostanze chimiche aggressive all'acqua dell'impianto, e siano stati rispettati i valori guida secondo la normativa UNI 8065 con opportuni trattamenti dell'acqua;
- La pressione e la temperatura di esercizio indicate sul catalogo corrispondano alla pressione e alla temperatura massima di esercizio;
- Il circuito sia esente da residui di metallo, calamina, grasso e non ci sia presenza di gaz. Prima della messa in funzione dell'impianto, eseguire un lavaggio per eliminare residui di lavorazione meccanica e/o residui in fase d'installazione.
- I tappi e gli accessori utilizzati siano quelli regolarmente forniti dalla Cordivari srl;
- I radiatori non siano stati collegati all'impianto dell'acqua calda sanitaria.
- I radiatori non siano collegati ad impianti con vaso di espansione aperto.

Nel caso in cui si utilizzi l'antigelo, esso non dovrà mai essere utilizzato puro, ma diluito prima di essere introdotto nel circuito.

Nel caso in cui si utilizzi un inibitore di corrosione, esso dovrà essere compatibile con tutti i materiali presenti nei corpi scaldanti.

In caso di prodotto con tappi premontati dalla Cordivari Srl, qualsiasi manomissione degli stessi, porterà fuori garanzia il prodotto. La Cordivari Srl non si assume comunque responsabilità su batterie assemblate da terzi, e/o con tappi e riduzioni assemblate da terzi. Qualora il Cliente esegua modifiche o variazioni di sua iniziativa sui Materiali in contestazione senza il nostro preventivo benestare, decade immediatamente ogni responsabilità della Cordivari Srl.

La garanzia inoltre non opera in caso di anomalie o guasti dipendenti dalla rete d'alimentazione elettrica.

La garanzia non copre costi dovuti a demolizioni, opere murarie, lavori per il passaggio e la collocazione dei prodotti sia in ingresso che in uscita e la manodopera per eventuali sostituzioni di prodotto.

Cordivari Srl si impegna durante il periodo di garanzia alla sostituzione del prodotto reso e riconosciuto difettoso per accertati difetti di produzione, oltre a ciò il Committente non potrà vantare alcun altro risarcimento per spese di danno, dirette o indirette di qualsiasi natura a persone e/o a cose derivanti da detti difetti.

## 6. PAGAMENTI

I pagamenti delle fatture relative alle forniture dovranno essere effettuati entro i termini di scadenza stabiliti. Il ritardo nel pagamento delle fatture, anche se parziale, dà luogo alla decorrenza degli interessi di mora nella misura del tasso corrente, oltre alla sospensione immediata delle spedizioni in corso e del procesamiento di eventuali ordini.

## 7. RISERVA DI PROPRIETÀ

I prodotti restano di proprietà della Cordivari Srl fino al pagamento dell'ultima rata di prezzo di merce consegnata. In caso di inadempimento anche parziale del compratore la Cordivari Srl potrà chiedere l'immediata restituzione della merce trattenendo comunque le rate pagate a titolo di indennità salvo il maggior danno.

## 8. PREZZI

I prezzi non sono impegnativi e possono essere modificati senza preavviso. I prezzi sono revisionabili in funzione delle variazioni che dovessero intervenire fino al momento della consegna. I prezzi si intendono resa franco stabilimento di Morro D'Oro (TE), salvo diversi accordi. I prezzi sono sempre riportati nel listino al netto di IVA. Per modelli ingombranti la Cordivari srl si riserva di chiedere una partecipazione alle spese di imballaggio.

## 9. ORDINI/CONSEGNA

Il valore minimo per ordine è di Euro 2.000. Gli ordini impartiti impegnano definitivamente il Committente che deve dichiarare di conoscere e accettare tutte le condizioni di vendita. La consegna si intende esclusivamente presso la sede/magazzino del Committente. Richieste particolari del Committente come: consegna espresso, consegna diversa dalla sede/magazzino, etc. avranno costi addizionali che verranno comunicati di volta in volta dal nostro ufficio commerciale.

## 10. FORO COMPETENTE

Per qualsiasi controversia derivante dal presente contratto o collegata allo stesso è competente il Foro di Teramo. La legge applicabile (sostanziale e procedurale è quella italiana).

## 11. VERSIONE ORIGINALE

La versione originale e legalmente valida delle presenti condizioni di vendita e garanzia è la versione in lingua italiana.

© Copyright Cordivari Srl

Tutti i diritti, in particolare quelli di riproduzione, diffusione e traduzione sono riservati.

Nessuna parte di questa opera può essere ristampata o riprodotta in qualsiasi altra forma senza l'autorizzazione scritta della Cordivari. Il presente catalogo sostituisce ed annulla tutte le edizioni precedenti. La società si riserva la facoltà di modificare in qualsiasi momento i prodotti e i dati riportati a catalogo e non risponde degli eventuali errori tipografici.



